

PSQ-E

Technical Data

PSQ-E100

Maximum torque	Nm	100				
Power supply	V	230 VAC 1~	115 VAC 1~	24 VAC 1~	400 VAC 3~	24 VDC
Operating time/90° [50 Hz / 60 Hz]	s	23 / 19				
Nominal current	A	0.12	0.23	1.1	0.047 ³	0.8
Maximum current	A	0.14	0.28	1.3	0.07 ³	2.8
Power consumption ²	W	26	26	26	28	19
Duty cycle IEC 60034-1,8		S2 - 30 min, S3/S4 1200 c/h - 50% ED at 25°C				
Ambient temperature	°C	-25°C to +70°C				
Overvoltage category		II				
Motor protection		Thermo switch ¹				Multifuse

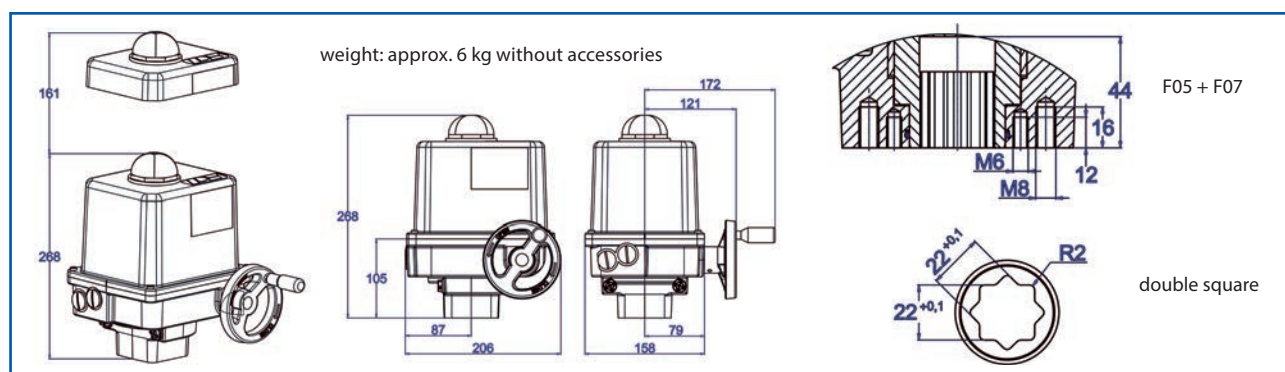
PSQ-E150

Maximum torque	Nm	150				
Power supply	V	230 VAC 1~	115 VAC 1~	24 VAC 1~	400 VAC 3~	24 VDC
Operating time/90° [50 Hz / 60 Hz]	s	23 / 19				
Nominal current	A	0.17	0.3	1.44	0.075 ³	1.3
Maximum current	A	0.20	0.36	1.73	0.13 ³	2.8
Power consumption ²	W	39	34	34	45	31
Duty cycle IEC 60034-1,8		S2 - 30 min, S3/S4 1200 c/h - 50% ED at 25°C				
Ambient temperature	°C	-25°C to +70°C				
Overvoltage category		II				
Motor protection		Thermo switch ¹				Multifuse

¹) Thermo switch must be wired externally at 400VAC 3~

²) at maximum torque and 50 Hz

³) per phase



PS Automation GmbH Gesellschaft für Antriebstechnik

Philipp-Krämer-Ring 13 • D-67098 Bad Dürkheim
Tel.: +49 (0) 63 22-60 03-0 • Fax: +49 (0) 63 22-60 03-20
info@ps-automation.com • www.ps-automation.com

Engineered and Made in Germany

