

PSQ

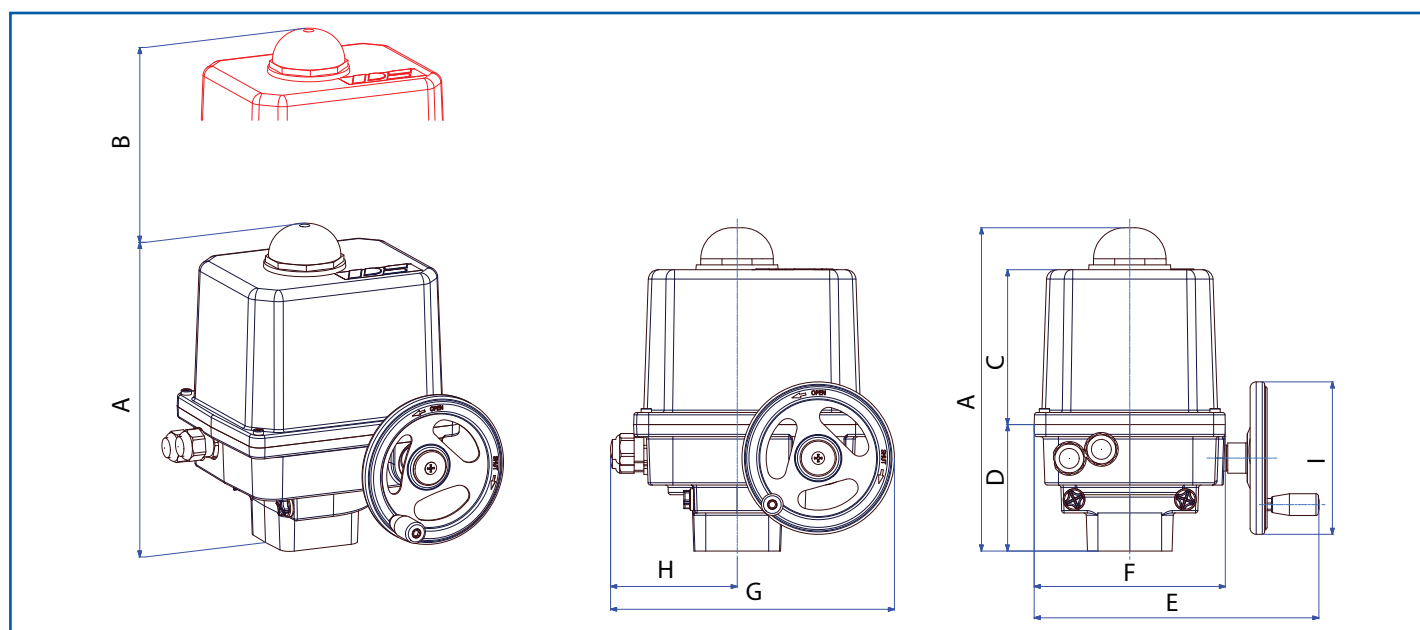
PS Automation
Gesellschaft für Antriebstechnik

We care for actuation.

Technical Data

| PSQ | | PSQ102 Standard | PSQ102 150 Nm) ¹ | PSQ202 Standard | PSQ202 300 Nm) ¹ | PSQ502 Standard | PSQ502 600 Nm) ¹ | PSQ702 | PSQ1002 |
|-------------------------------|------|---|--------------------------------|--------------------|--------------------------------|--------------------|--------------------------------|-----------|-----------|
| Switching Torque | Nm | 130 | 150 | 250 | 300 | 500 | 600 | 700 | 1000 |
| Modulating Torque | Nm | 65 | 75 | 125 | 150 | 250 | 300 | 350 | 500 |
| Angle of Rotation | ° | 90 ± 5 | | | | | | | |
| Handwheel Turns | /90° | 18 | | | | | | | |
| Valve Flange acc. to ISO 5211 | | F05 / F07 | F05 / F07 | F07 / F10 | F07 / F10 | F10 / F12 | F10 / F12 | F10 / F12 | F12 / F14 |
| Enclosure acc. to EN 60529 | | IP67 | | | | | | | |
| Ambient Temperature | °C | -20 to +80°C, control operations up to +60°C | | | | | | | |
| Weight | kg | 7 | 7 | 13 | 13 | 27 | 27 | 27 | 27 |
| Operating Time/90° | s | 8 - 57 | 32 | 20 - 69 | 69 | 29 - 93 | 93 | 29 - 93 | 29 - 93 |
| Power Supply | V | 230 VAC 1~ 115 VAC 1~ 24 VAC/DC 400 VAC 3~ | | | | | | | |

¹⁾ only for 230 VAC



| Dimensions | A | B | C | D | E | F | G | H | I |
|------------|-----|-----|-----|-------|-----|-----|-----|-----|-----|
| PSQ102 | 267 | 161 | 128 | 104.5 | 237 | 158 | 241 | 111 | 125 |
| PSQ202 | 355 | 228 | 194 | 122.5 | 307 | 185 | 289 | 109 | 200 |
| PSQ502/702 | 416 | 240 | 198 | 171.5 | 358 | 235 | 337 | 128 | 200 |
| PSQ1002 | 416 | 240 | 198 | 171.5 | 289 | 235 | 362 | 128 | 250 |

PS Automation GmbH
Gesellschaft für Antriebstechnik

Philipp-Krämer-Ring 13 • D-67098 Bad Dürkheim
Tel.: +49 (0) 63 22-60 03-0 • Fax: +49 (0) 63 22-60 03-20
info@ps-automation.com • www.ps-automation.com

Engineered and Made in Germany

