



HY-KOSO



# 杭州杭氧工装泵阀有限公司

HANGZHOU HANGYANG KOSO PUMP&VALVE CO.,LTD.



控制阀大全-三千控制阀网

[www.CV3000.com](http://www.CV3000.com)

## 目录 Contents

企业简介	Company Profile	03
生产能力	Production Capacity	05
研发试验	Research & Development	07
质量保证	Quality Assurance	09
服 务	Service	11
应用领域	Application Fields	12
产品介绍	Products Introduction	13
低 温 泵	Cryogenic Pump	13
工 艺 阀	Process Valve	14
控 制 阀	Control Valve	15
	顶部导向型非平衡型控制阀 Top Guided Unbalanced Control Valve (GL100 Series)	16
	套筒导向型平衡型控制阀 Cage Guided Balanced Control Valve (GL200 Series)	17
	冷箱专用角型控制阀 ( 顶部导向型非平衡型 ) Angle Control Valve for Cold Box Only (Top Guided Unbalanced) (AG100 Series)	18
	冷箱专用角型控制阀 ( 套筒导向型平衡型 ) Angle Control Valve for Cold Box Only (Cage Guided Balanced ) (AG200 Series)	19
	单偏心蝶阀 Single Eccentric Butterfly Valve (BF100 Series)	20
	高性能蝶阀 High Performance Butterfly Valve (BF200 Series)	21
	三偏心蝶阀 Triple Eccentric Butterfly Valve (BF300 Series)	22
	三杆阀 Three Lever Valve (BF400 Series)	23
	球阀 Ball Valve (BA100, BA200, BA300 Series)	24





# COMPANY PROFILE

## 企业简介

杭州杭氧工装泵阀有限公司（简称杭氧工装）创建于 1959 年，2000 年吸收了日本工装株式会社投资组建成中外合资企业。公司为空分、LNG 及与低温相关的石化装置（烷烃脱氢、液氮洗、甲烷洗等）配套低温泵阀产品，并提供相应技术服务。公司建筑面积 1.4 万平方米，注册资本 3000 万元，现有员工 140 余人，总资产 1.1 亿元，年销售收入 1.5 亿元。

公司有拥有完善的管理体系，通过了 ISO9001、ISO14000、GB/T28001 体系论证，取得国家

质量监督检验检疫总局颁发的“TS”特种设备制造许可证。

公司设计制造的低温泵阀产品遍布世界 30 多个国家和地区，赢得了国内外用户的普遍信赖和好评。公司以“提供世界一流的低温泵阀产品与服务”为使命，以打造“精彩泵阀，百年企业”为愿景，以“务实 创新 高效 共赢”为核心价值观，为股东、客户、员工、供应商和社会创造价值。







Hangzhou Hangyang Koso Pump & Valve Co., Ltd. (hereafter referred to as HYKOSO) was established in 1959 and became a joint-venture company with the investment of NIHON KOSO Co., Ltd. in 2000. HYKOSO is dedicated to the design and manufacture of the cryogenic pumps & valves for ASU, LNG and petrochemical device related to low temperature process (such as PDH, BDH, Liquid-nitrogen wash unit, Liquit-methane wash unit ect.), as well as providing the corresponding technical service. Founded with a floorage of 14,000 square meters and a registered capital of RMB30,000,000, the company now possess more than 140 employees, and the amount of RMB110,000,000 of total assets and RMB 150,000,000 of annual sales revenue. Under the complete and strict administration

system, HYKOSO has been certificated by the ISO9001, ISO14000, GB/T28001 system and has achieved the "TS" Manufacture License of Special Equipment issued by the AQSIQ (State Administration for Quality Supervision and Inspection and Quarantine).

HYKOSO, the products of which has been distributed to more than 30 countries and regions all over the world, and has gained a high confidence and reputation of domestic and overseas users, with the mission of "providing the world-class products & services of cryogenic pump & valve", the vision of creating "the Excellent Pump & Valve and a Century's Standing Enterprise", and the core value of "pragmatic, innovative, efficient and win-win", has brought and will create constantly more and more value for the shareholders, customers, employees, suppliers and the society.







↑ 数控立车  
CNC Vertical Lathe

# PRODUCTION CAPACITY

## 生产能力



↓ 加工车间  
Machining Shop

加工中心  
CNC







↑ 装配车间  
Assembly Shop

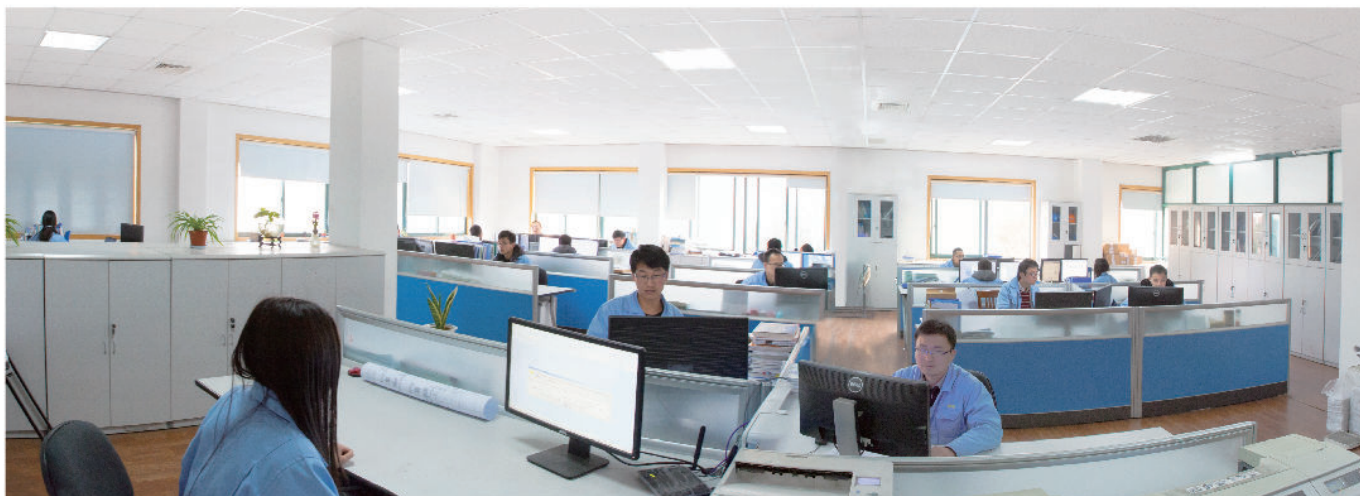


↑ 泵装配车间  
Pump Assembly Shop



控制阀装配流水线  
Control Valve Assembly Line





研发中心  
R&D

# RESEARCH & DEVELOPMENT

## 研发试验



低温泵试验台位  
Cryogenic Pump Test Bench



Cv 试验台位  
Cv Test Bench





低温泵试验台位  
Cryogenic Pump Test Bench



安全阀低温试验台  
Safety Valve Cryogenic Test Bench



安全阀全性能试验台  
Safety Valve Full Performance Test Bench





# QUALITY ASSURANCE

## 质量保证







↑ 光谱分析  
Spectrometer Detection



↑ 油份检测  
Oil-free Detection



↑ 阀门试验台位  
Valve Test Bench

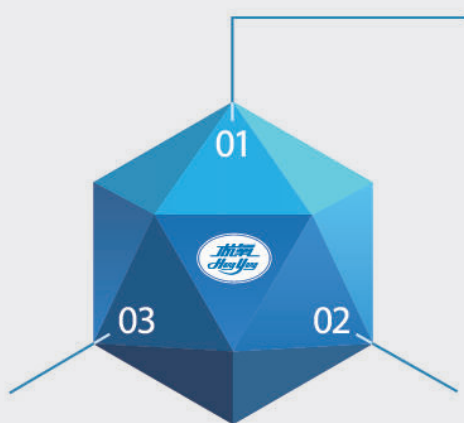


氦质谱检漏 →  
Helium Mass Spectrometer Leak Detection



# SERVICE

## 服务



### 体制 System

接到通知后 24 小时予以响应，  
72 小时内到达现场，一周内排除故障。  
Respond within 24 hours receiving the notification.  
Arrive at the scene within 72 hours.  
Trouble shoot within one week.

### 原则 Principle

先解决问题，后分析其原因。  
Solve the problem before  
analyzing the cause.

### 方针 Guideline

质量第一、用户第一、服务第一、  
全心全意为用户服务。  
Servicing the customer  
wholeheartedly.

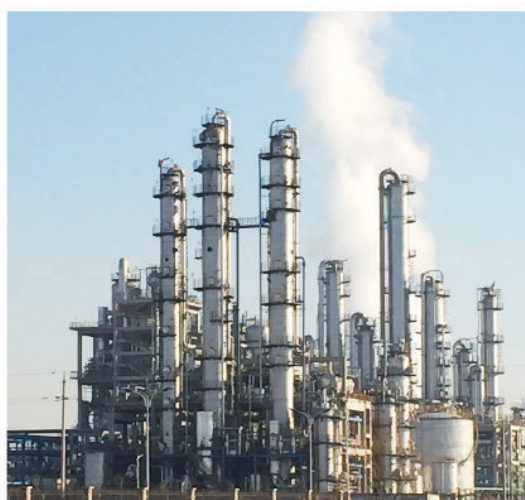




空气分离设备  
Air Separation Unit

## APPLICATION FIELDS

### 应用领域



石化  
Petrochemical Equipment



LNG





## 工艺阀 Process Valve

截止阀  
Globe Valve

节流阀  
Throttle Valve

蝶阀  
Butterfly Valve

止回阀  
Check Valve

球阀  
Ball Valve

闸阀  
Gate Valve

安全阀  
Safety Valve

呼吸阀  
Breathing Valve

罐底紧急切断阀  
Quick-Action Bottom Drain Valve





## 控制阀 Control Valve

顶部导向型非平衡型控制阀  
Top Guided Unbalanced Control Valve

套筒导向型平衡型控制阀  
Top Guided Unbalanced Control Valve

冷箱专用角型控制阀（顶部导向型非平衡型）  
Angle Control Valve for Cold Box Only (Top Guided Unbalanced)

冷箱专用角型控制阀（套筒导向型平衡型）  
Angle Control Valve for Cold Box Only (Cage Guided Balanced)

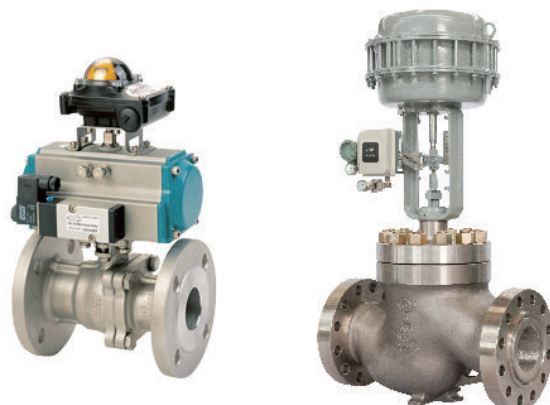
单偏心蝶阀  
Single Eccentric Butterfly Valve

高性能蝶阀  
High Performance Butterfly Valve

三偏心蝶阀  
Triple Eccentric Butterfly Valve

三杆阀  
Three lever Valve

球阀  
Ball Valve



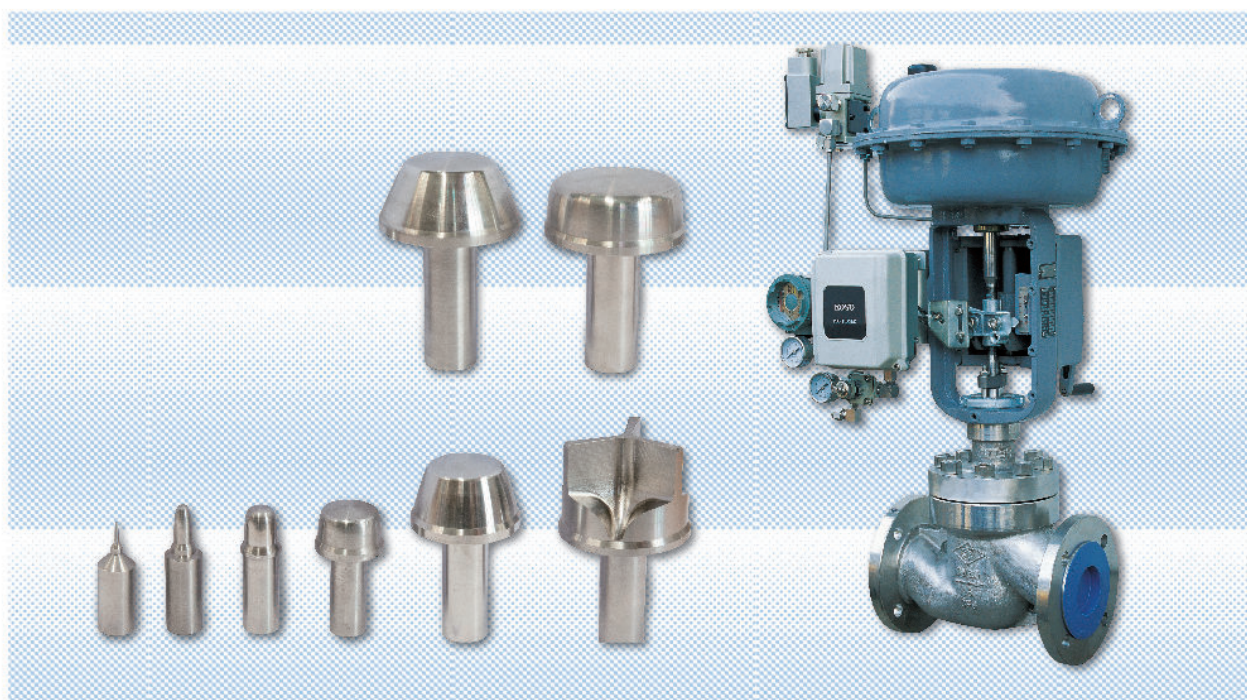


## 顶部导向型非平衡型控制阀

### Top Guided Unbalanced Control Valve(GL100 Series)

顶部导向型非平衡式控制阀是一种体积小、结构紧凑、但却能适应苛刻工况条件的单座调节阀。该系列调节阀很容易制成波纹管密封型、蒸汽夹套型、加长型上阀盖等特殊结构。

Simple construction and compact size characterize our top-guided control valves, so that they can be applicable to the heavy duty working condition and easy to be manufactured as the particular construction of bellows sealed, steam jacked and long extended bonnet.



#### 规格 Specifications

公称通径	Nominal Diameter	DN20~DN200; 3/4"~8"
公称压力	Nominal Pressure	PN16, PN40, PN100, PN160; CL150, CL300, CL600, CL900
适用温度	Working Temperature	-196°C~+538°C
连接方式	Connection Type	法兰式 Flange; 焊接式 Weld
阀体材质	Body Material	WCB, LCB, WC6, CF8, CF8M, CF3M, M35-1, CY40
阀内件材质	Trim Material	304, 316, 316L, MONEL, INCONEL, Stellite
流量特性	Flow Characteristics	线性 Linear, 等百分比 Eq%, 改良等百分比 Modified Eq%, ON-OFF
泄漏等级	Leakage Class	IV, V, VI



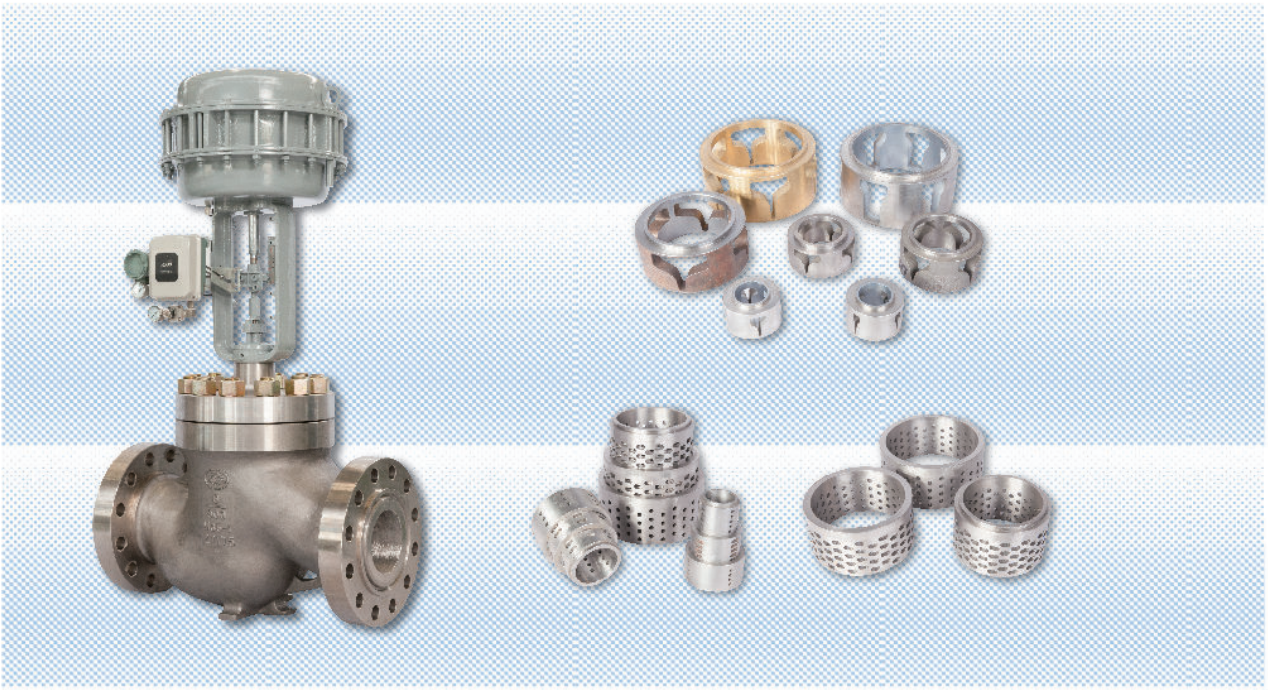
## 套筒导向型平衡型控制阀

### Cage Guided Balanced Control Valve(GL200 Series)

套筒导向型平衡型控制阀是一种大容量、动态稳定性优良、适合苛刻工况条件的高性能调节阀。由于具有使作用在阀芯上的流体压力平衡的结构，因此只须用较小的操作力便可达到稳定调节。

在高压差场合，选用 GL220 型多级降压调节阀。

This series is cage guided control valve of large Cv value, and of dynamic stability. It is suitable to a variety of heavy duty services. This series is characterized by pressure balanced type trim for very high pressure drops, so that it only needs low operating force to reach the stable regulation. Under the high differential pressure conditions, choose the GL220 series, multistage depressurization regulating valve.



#### 规格 Specifications

公称通径	Nominal Diameter	DN40~DN400, 1-1/2"~16"
公称压力	Nominal Pressure	PN16, PN40, PN100, PN160; CL150, CL300, CL600, CL900
适用温度	Working Temperature	-196°C~+538°C
连接方式	Connection Type	法兰式 Flange, 焊接式 Weld
阀体材质	Body Material	WCB, LCB, WC6, CF8, CF8M, CF3M, M35-1, CY40, ZCuZn16Si4
阀内件材质	Trim Material	304, 316, 316L, HPb59-1, MONEL, INCONEL, Stellite
流量特性	Flow Characteristics	线性 Linear, 等百分比 Eq%, ON-OFF
泄漏等级	Leakage Class	IV, V, VI

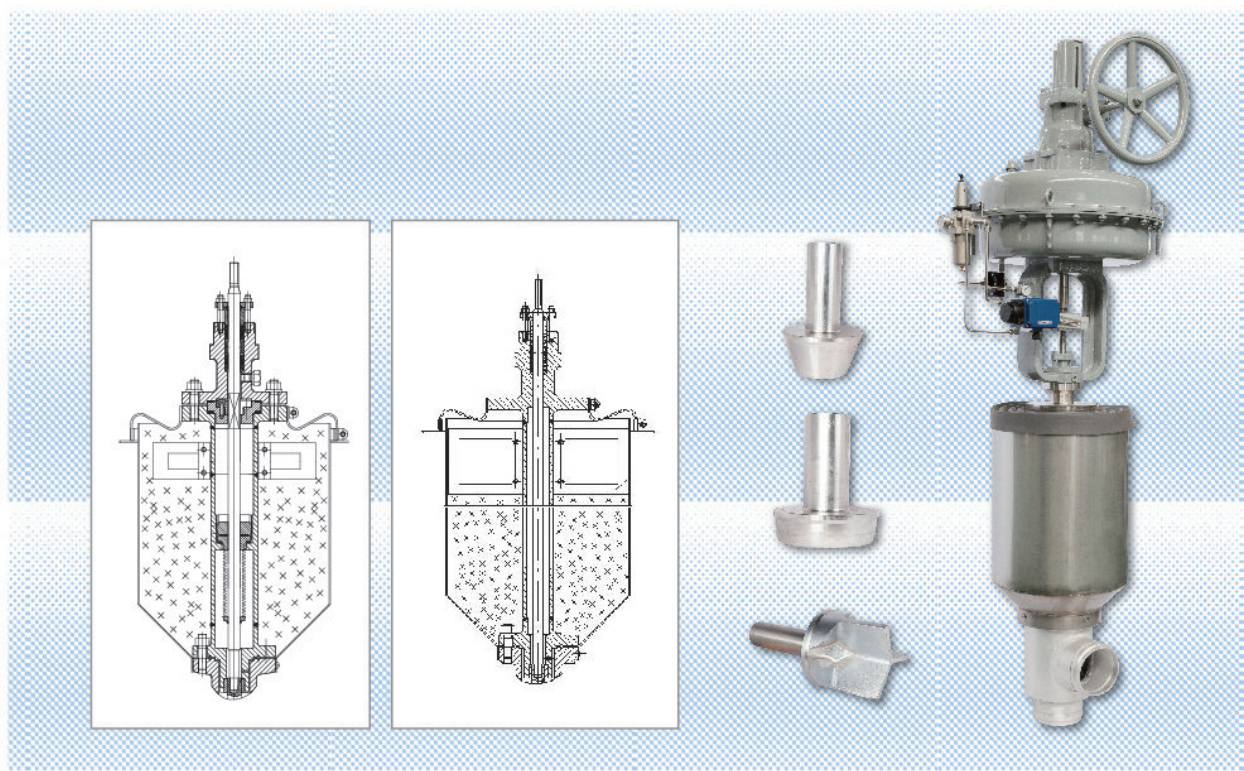


## 冷箱专用角型控制阀（顶部导向型非平衡型）

Angle Control Valve for Cold Box Only (Top Guided Unbalanced)(AG100 Series)

低温角型调节阀是一种体积小、结构简单、适合于控制低温流体的单座调节阀，波纹管密封结构更适合超低温液体工况。

Simple structure and compact size characterize our cryogenic angle valves. It can be used to control cryogenic fluids. And for cryogenic liquid, it is better to choose bellows construction.



### ■ 规格 Specifications

公称通径	Nominal Diameter	DN20~DN200; 3/4"~8"
公称压力	Nominal Pressure	PN16, PN40, PN64; CL150, CL300, CL600
适用温度	Working Temperature	-196°C~+80°C
连接方式	Connection Type	焊接式 Weld
阀体材质	Body Material	5083, 304, 316, 316L
阀内件材质	Trim Material	304, 316, 316L, Stellite
流量特性	Flow Characteristics	线性 Linear, 等百分比 Eq%, 改型等百分比 Modified Eq%, ON-OFF
泄漏等级	Leakage Class	IV, V, VI

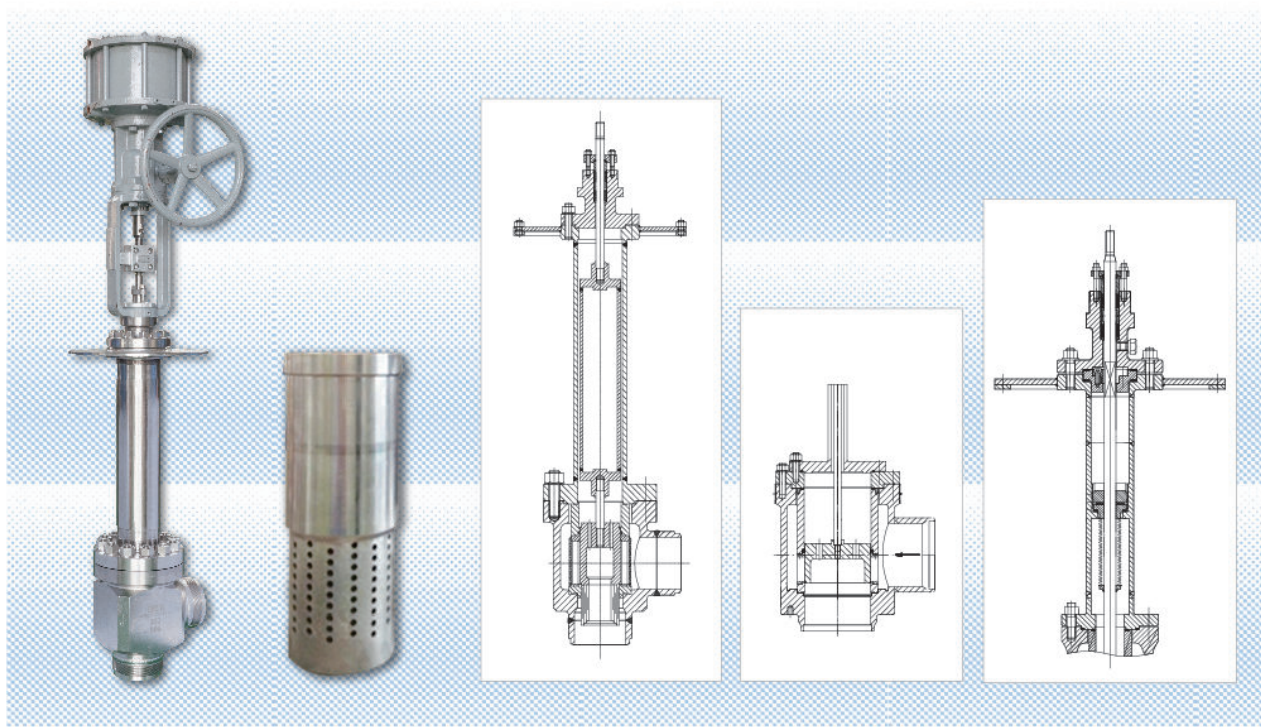


## 冷箱专用角型控制阀（套筒导向型平衡型）

Angle Control Valve for Cold Box Only (Cage Guided Balanced) (AG200 Series)

冷箱专用角型控制阀（套筒导向型平衡型）主要用于冷箱内高压差场合，具有低噪音、防振动的优点，波纹管密封结构更适合超低温液体工况。

This series is mainly used under the high differential pressure conditions in the cold box, with the advantage of low noise and anti-vibration. And for cryogenic liquid, it is better to choose bellows construction.



### 规格 Specifications

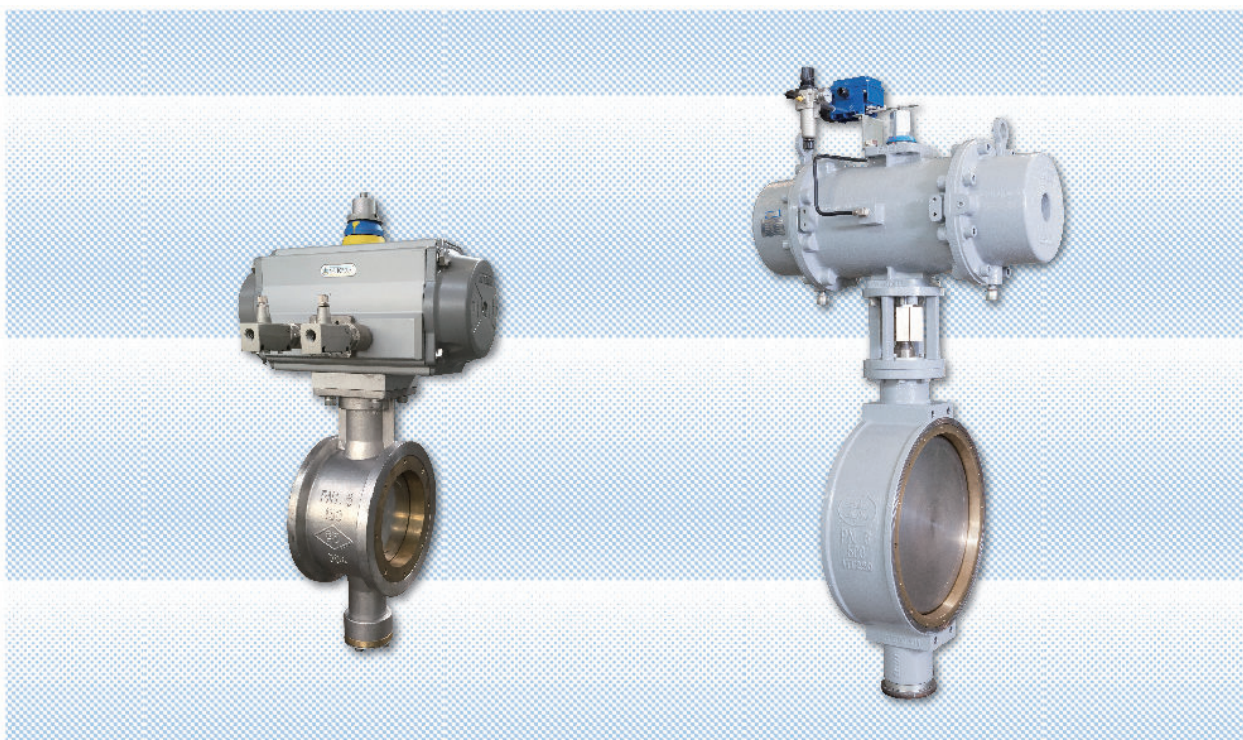
公称通径	Nominal Diameter	DN40~DN300; 1-1/2"~12"
公称压力	Nominal Pressure	PN16, PN40, PN100; CL150, CL300, CL600
适用温度	Working Temperature	-196°C~+80°C
连接方式	Connection Type	焊接式 Weld
阀体材质	Body Material	5083, 304, 316, 316L
阀内件材质	Trim Material	304, 316, 316L, MONEL, INCONEL
流量特性	Flow Characteristics	线性 Linear, 等百分比 Eq%
泄漏等级	Leakage Class	IV, V, VI

## 单偏心蝶阀

### Single Eccentric Butterfly Valve (BF100 Series)

单偏心蝶阀的阀座密封圈是一个弹性元件，具有良好的密封性能和性价比。

The single eccentric butterfly valve has a elastic O ring on the seat, which provide a tightless seal.



#### ■ 规格 Specifications

公称通径	Nominal Diameter	DN50~DN1200; 2"~48"
公称压力	Nominal Pressure	PN6, PN10, PN16
适用温度	Working Temperature	-20°C~+200°C
连接方式	Connection Type	对夹式 Wafer
阀体材质	Body Material	HT250, CF8
阀瓣材质	Disc Material	ZG20Cr13
流量特性	Flow Characteristics	近似等百分比 Approximate Eq%
泄漏等级	Leakage Class	VI

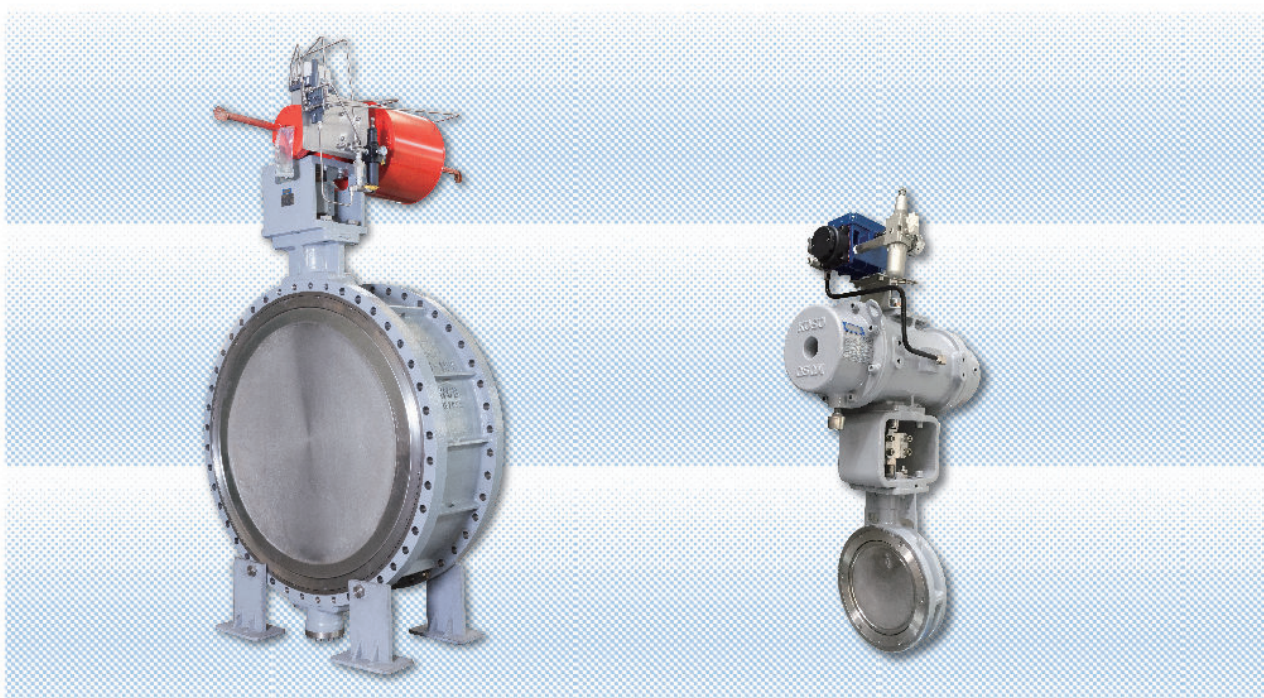


## 高性能蝶阀

### High Performance Butterfly Valve (BF200 Series)

高性能蝶阀的阀板与阀座具有独特的结构设计，因此具有优良的切断性能和耐久性能，是一种用途广泛的调节阀。

This series is high performance butterfly valve of high durability, high seating performance. It has several different seal ring construction suitable to various service applications.



#### 规格 Specifications

公称口径	Nominal Diameter	DN80~DN1400; 3"~56"
公称压力	Nominal Pressure	PN16; CL150
适用温度	Working Temperature	-20°C~+200°C
连接方式	Connection Type	对夹式 Wafer, 法兰式 Flange
阀体材质	Body Material	WCB, LCB, CF8, CF8M, CF3M
阀瓣材质	Disc Material	CF8, CF8M, CF3M
流量特性	Flow Characteristics	近似等百分比 Approximate Eq%
泄漏等级	Leakage Class	V, VI

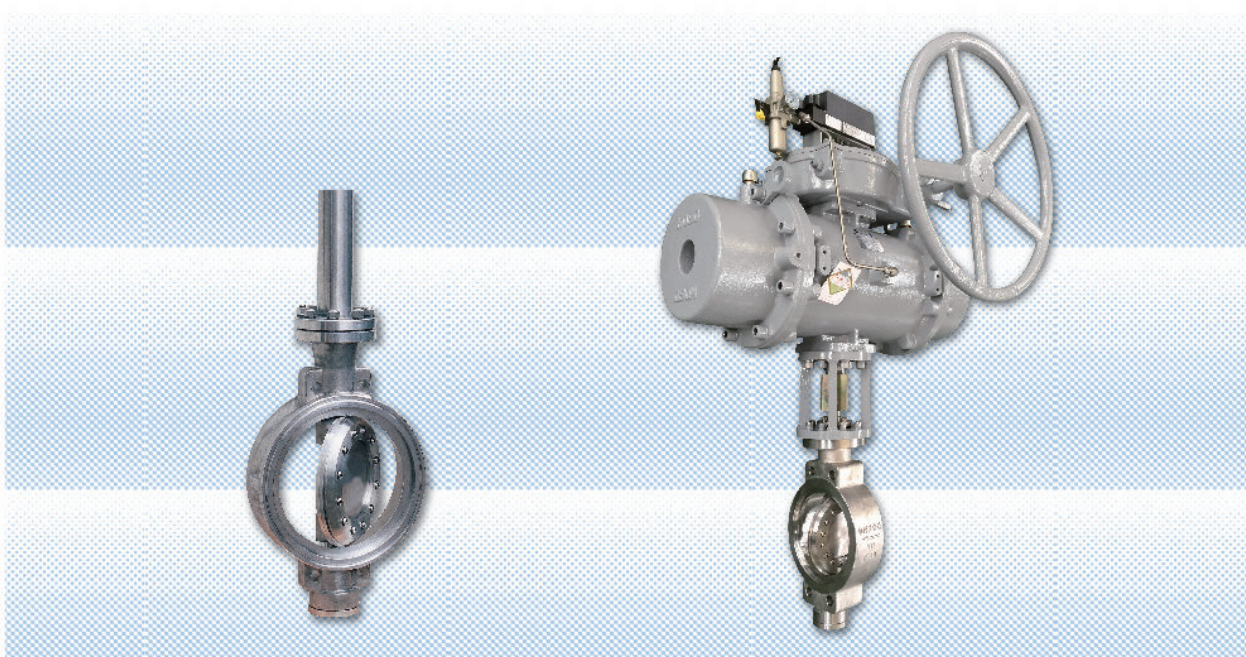


## 三偏心蝶阀

### Triple Eccentric Butterfly Valve (BF300 Series)

BF300 系列金属密封蝶阀采用独特的三偏心设计，实现了阀座与整个密封面 90 度无摩擦旋转，达到了优良的切断性能。

The outstanding performance of Triple Eccentric Butterfly Valve, metal seated BF 300 Model valve is the ideal solution to achieve perfect shutoff in any process. Quarter turn non-rubbing design is achieved by a unique, Triple Eccentric Butterfly Valve geometry, completely eliminating all seat to seal rubbing throughout the valve's 90 degrees rotation.



#### 规格 Specifications

公称通径	Nominal Diameter	DN100~DN800; 4"~32"
公称压力	Nominal Pressure	PN16, PN40, PN64, PN100; CL150, CL300, CL600
适用温度	Working Temperature	-196°C~+230°C
连接方式	Connection Type	对夹式 Wafer, 法兰式 Flange
阀体材质	Body Material	WCB, LCB, CF8, CF3M
阀瓣材质	Disc Material	WCB, CF8, CF3M
流量特性	Flow Characteristics	近似等百分比 Approximate Eq%
泄漏等级	Leakage Class	IV, V



## 三杆阀

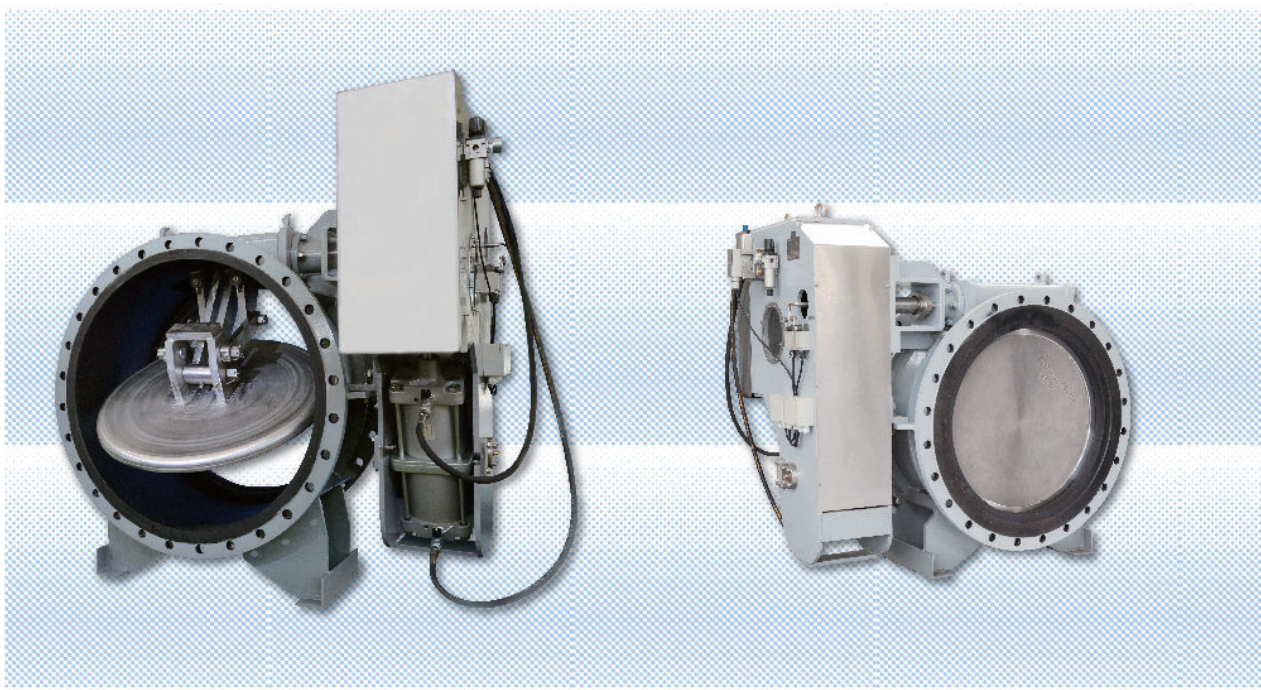
### Three Lever Valve (BF400 Series)

三杆式切换阀用于空气分离装置分子筛吸附系统中，主要有以下优点：

- 1.具有自清洁功能；
- 2.可实现最大开启压差保护，有效防止分子筛冲床；
- 3.启闭过程密封面无摩擦，寿命长。

Three lever valve is only used in the ASU of molecular sieve purifier system. With the following advantages:

- 1.The self-cleaning function;
- 2.The valve can effectively avoid molecular sieve purifier breakdown;
- 3.Zero friction on the sealing face during ON-OFF process achieves a long service time.



#### 规格 Specifications

公称口径	Nominal Diameter	DN300~DN1600; 12" ~64"
公称压力	Nominal Pressure	PN10, PN16, PN40; CL150
适用温度	Working Temperature	-40°C~+450°C
连接方式	Connection Type	法兰式 Flange
阀体材质	Body material	Q345-A, 16MnDR
阀瓣材质	Disc Material	Q345-A+Ni60 surface, 16MnDR++Ni60 surface
流量特性	Flow Characteristics	ON-OFF
泄漏等级	Leakage Class	V, VI

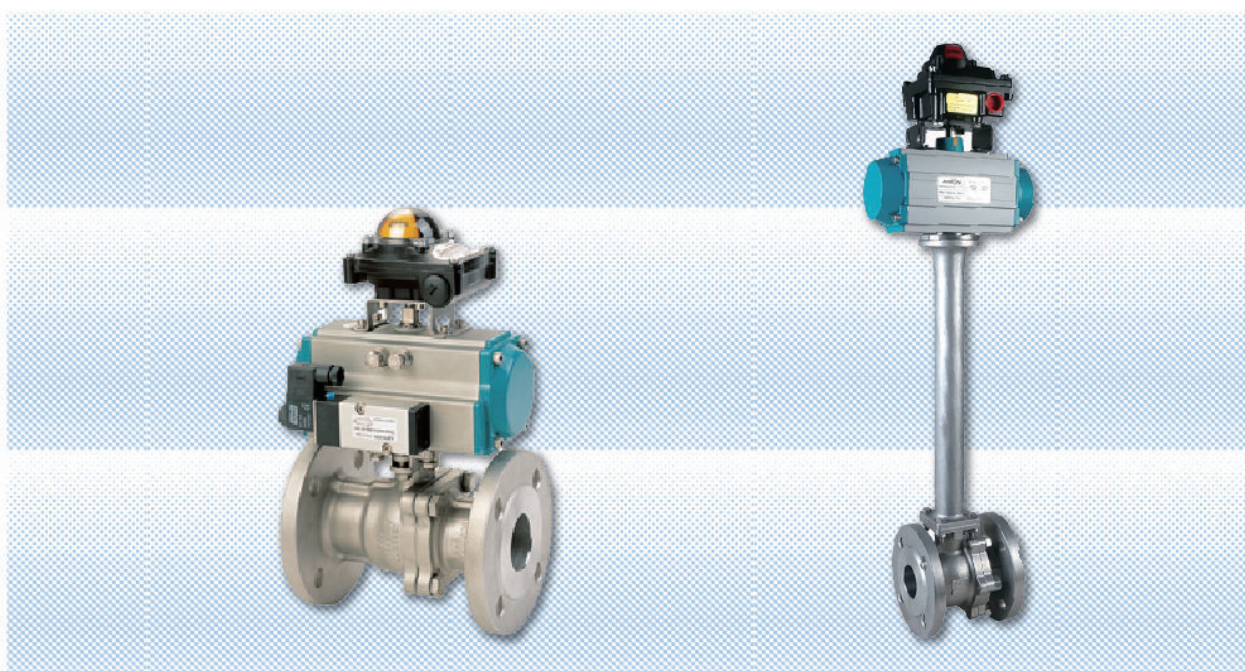


## 球阀

### Ball Valve (BA100, BA200, BA300 Series)

球阀具有极好的切断性能，适合于各种液体、气体等流体的切断。

The ball valve has high shut-off performance, is suitable for all kinds of liquid such as liquid and gas.



#### 规格 Specifications

公称通径	Nominal Diameter	DN15~DN400; 1/2"~16"
公称压力	Nominal Pressure	PN16, PN40, PN100, PN160; CL150, CL300, CL600, CL900
适用温度	Working Temperature	-196°C~+425°C
连接方式	Connection Type	法兰式 Flange, 焊接式 Weld
阀体材质	Body Material	WCB, CF8, CF8M, MONEL, INCONEL
阀座材质	Seat Material	PTFE, PCTPE, PEEKMG124
球体材质	Ball Material	304, 316, 316L, MONEL, INCONEL
流量特性	Flow Characteristics	近似等百分比 Approximate Eq%, ON-OFF
泄漏等级	Leakage Class	V, VI