

JDP® 无锡市经登自控阀门有限公司

WUXI JINGDENG AUTOMATIC CONTROL VALVE CO.,LTD



INTELLIGENT ELECTRO-HYDRAULIC ACTUATOR

智能型电液联动执行器

- 稳定宽泛的扭矩选择最大可达60万N.m
- Exd IIB/CT4防爆和最低IP67防护
- IEC61808-22010认证的**SIL2**和**SIL3**的功能安全等级
- Stable and wide selection of torque can reach 600,000N.m
- Explosion-proof Exd IIB/CT4 and minimum protection proof IP67
- Function safety grade **SIL2** and **SIL3** certified by IEC61508-22010

Product Presentation 产品介绍

- 失电安全功能可靠
Reliable function of loss of electricity
- 就地安全的手动操作
Safe local manual operation
- 远程网络总线协议通讯
Remote network bus communication protocol
- 非侵入式蓝牙或红外操作
Non-invasive bluetooth and infrared operation
- 运行环境温度-50°C~70°C
Operation temperature -50°C~70°C
- 稳定宽泛的扭矩选择最大可达60万N.m
Stable and wide selection of torque can reach 600,000N.m
- Exd IIB/ CT4防爆和最低IP67防护
Explosion-proof Exd IIB/CT4 and minimum protection proof IP67
- IEC61808-22010认证和SIL2和SIL3的功能安全等级
Function safety grade SIL2 and SIL3 certified by IEC61508-22010





JIDP®

Intelligent Electro-Hydraulic Actuators

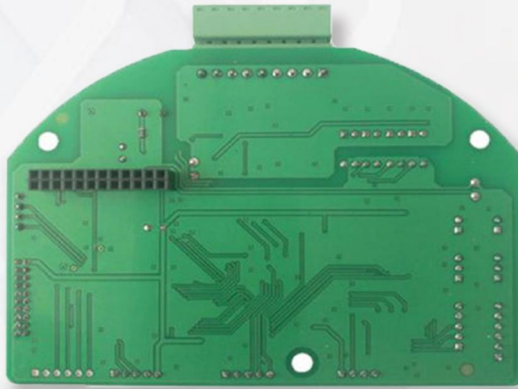


工程能力

JDP 拥有十多年的制造经验，产品品质不断提升，团队更加专注、专业！

在快速成型过程中的校验过程中，不断删除系统中不确定的错误因素，使产品性能更加稳定。

样机经过多次振动试验和冲击试验，不断优化产品设计结构，延长产品使用寿命。



成品后，还原最初的操作条件，观察各零部件间的相互作用，通过各部件间的摩擦因数的大小（磨损程度），采用高性能材料，同时优化产品结构，以达到增加产品寿命的目的。

紧急状态设置

可以设定在外部断电等紧急情况时，执行器自动驱动阀门至关闭、打开或者保持状态可选。

自诊断和故障报警

阀位设定后如发生位移，系统自动补偿至设定位置并报警。
系统设定参数超值会自动报警。
故障位可以记录和查看。

就地		65.7%	
P1	0.0Mpa	P2	0.0Mpa
T1	37°C	T2	26°C
F	0.0KN	I	0.7A

Engineering capability

With more than 10years of experience in valves and actuators, JDP is more professional than before.

After calibrations, we have deletes the uncertain errors in the system and it is more stable.

With Impact test and vibration test for many times, we optimize the product design structure and extend the service life of products.

After the finished product, the initial operating conditions are restored, the interaction between components is observed, and the high performance materials are adopted through the friction coefficient (wear degree) between components, and the product structure is optimized to enlarge product life.

Emergency setting

Actuator can drive the valve to on/off or keeping status for option when main power is on emergency off situation.

Self-diagnosis and trouble alarm

System will automatically compensates to setted position and alarm If the valve position shifted after setting; It will alarm automatically once the located parameters exceeds the limitation.

Intelligent Electro-Hydraulic Actuators



Control

产品型号 Model Specification

型号示意方式：ET-RSNF-01-80FO-HM-EX-110V

ET

产品型号 Product Model
:智能型电液联动执行器
:Intelligent Electro-hydraulic actuator

R

电液结构 Electro-hydraulic
R 角行程 Rotary actuator
Z 直行程 Linear actuator

S

作用形式 Acting Type

S:弹簧复位 Single Action
A:蓄能器 Accumulator

NF

控制方式 Control type
:NF 开关型
:RL 调节型

01

箱体规格代码：01~08
:Shell Size Code:01~08

80

气缸规格 (mm) :80~300
:Cylinder Size(mm):80~300

FO

气源故障位置 Air Failure
FO:故障开 Failure Open
FC:故障关 Failure Close
FL:故障保位 Failure Lock

HM

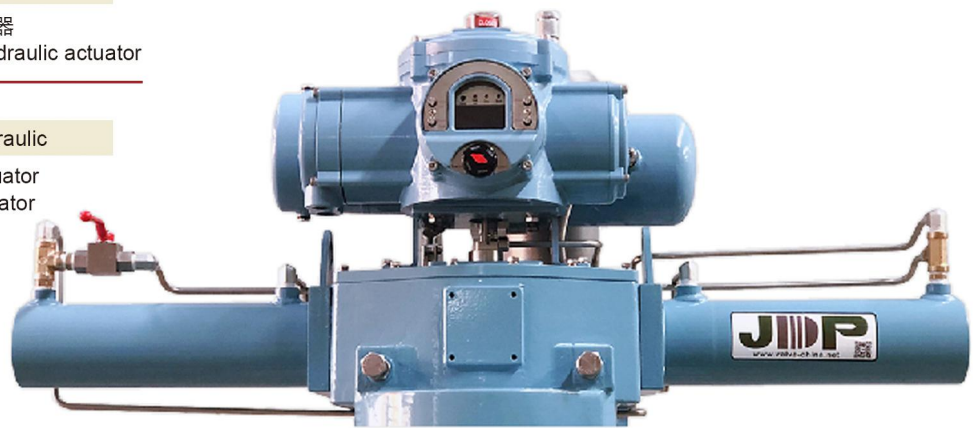
附件 Accessories
SM: 机械手动 Mechanical Manual
HM: 液压手动 Hydraulic Manual

EX

防爆规格 Anti-Explosion
: Exd IIB/CT4
: IP67

110V

电压 Voltage
110V AC
220V AC
380V AC



Intelligent Electro-Hydraulic Actuators



智能型电液联动执行器选型表 (Lectotype Table)

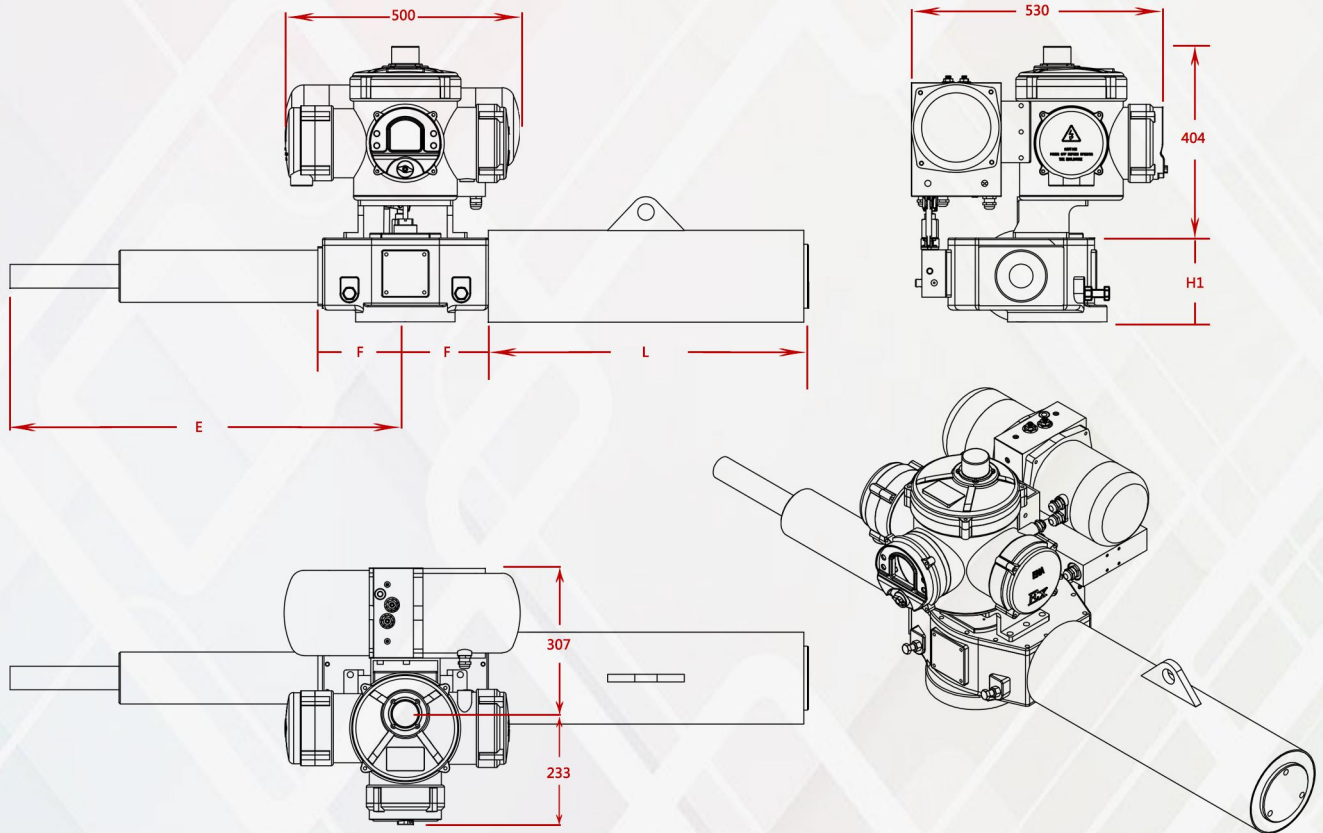
EHA-RT-D 双作用系列		通用 General		EHA-RT-S单作用系列	
型号 Model	扭矩(Nm) Torque	功率 (W) power	时间 (S) Time	型号 Model	扭矩 (Nm) Torque
RT-D02	600-5600	550	3.5-16	RT-S02	600-2100
RT-D03	~10000	750	≤22	RT-S03	~4000
RT-D04	~20000	750	≤40	RT-S04	~8000
RT-D05	~34000	1100	≤52	RT-S05	~14000
RT-D06	~58000	1100	≤73	RT-S06	~23000
RT-D07	~92000	1500	≤106	RT-S07	~36000
RT-D08	~193000	1500	≤228	RT-S08	~75000

注Note :

1. 表中时间为油压方向时间。弹簧方向时间0.5~10秒，可以根据客户特殊要求设定。
2. 宽泛的扭矩选择可以根据客户具体要求设定。
3. 面板按钮的就地控制和非侵入式蓝牙控制让操作更方便。
4. 4-20mA或1-5V模拟量，接受Fieldbus Modbus及Hart等总线进行远程控制。
5. 防爆等级ExdII BT4,防水等级IP67。
6. 使用环境，常温型-20~70℃，低温型-40~60℃。
7. 失电安全选择：FO: 故障开 FC: 故障关 FL: 故障保位

1. The time in the table is the oil pressure direction. The spring direction time is 0.5~10s, it is available to program upon the request.
2. The widely range of torque can be customized according to demand.
3. The local and non-invasive control of panel button makes the operation easier.
4. 4-20mA or 1-5V Analog quantity, accept the bus remote control of Fieldbus Modbus and Hart.
5. Anti-Explosion grade: ExdII BT4; Waterproof Level: IP67.
6. Working Environment: Standard Temperature: -20℃~70℃ ; Low Temperature: 40℃~60℃
7. Safety Selection of power loss: FO: Fail On FC: Fail Close FL: Fail Lock

Intelligent Electro-Hydraulic Actuators



尺寸参考表 (Dimension reference table)

RT-D/RT-S	E	F	H1	L
02	375	175	190	570
03	470	210	205	870
04	560	265	240	980
05	660	310	300	1340
06	845	418	395	1675
07	1185	535	505	1740
08	1565	685	660	2250

注：以上数据仅供参考，最终以双方确认图纸为准。

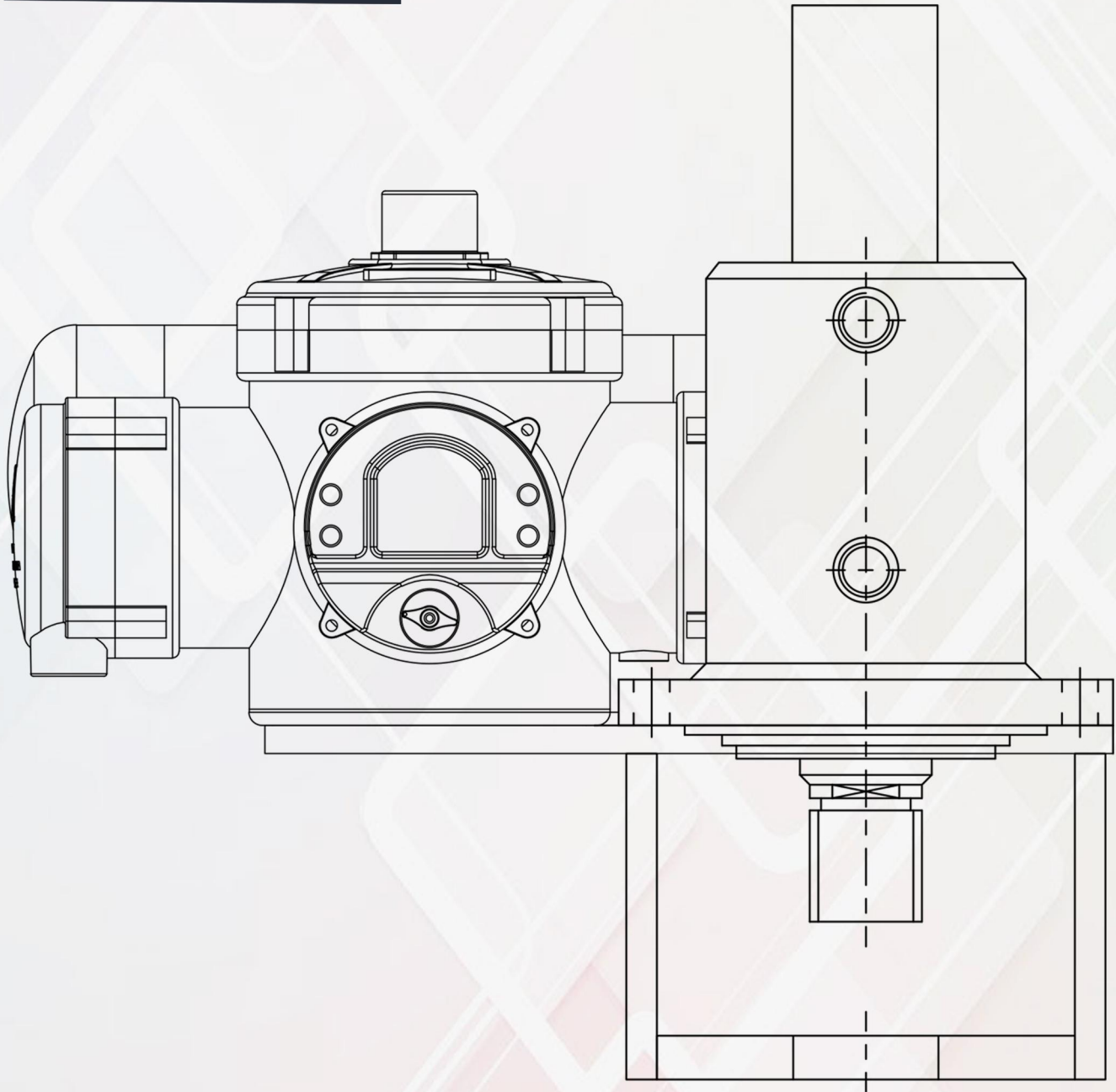
Note: Data for reference only, the final object with customer confirmation.

Intelligent Electro-Hydraulic Actuators

JDP[®]

Control

EHA-ZT 立式



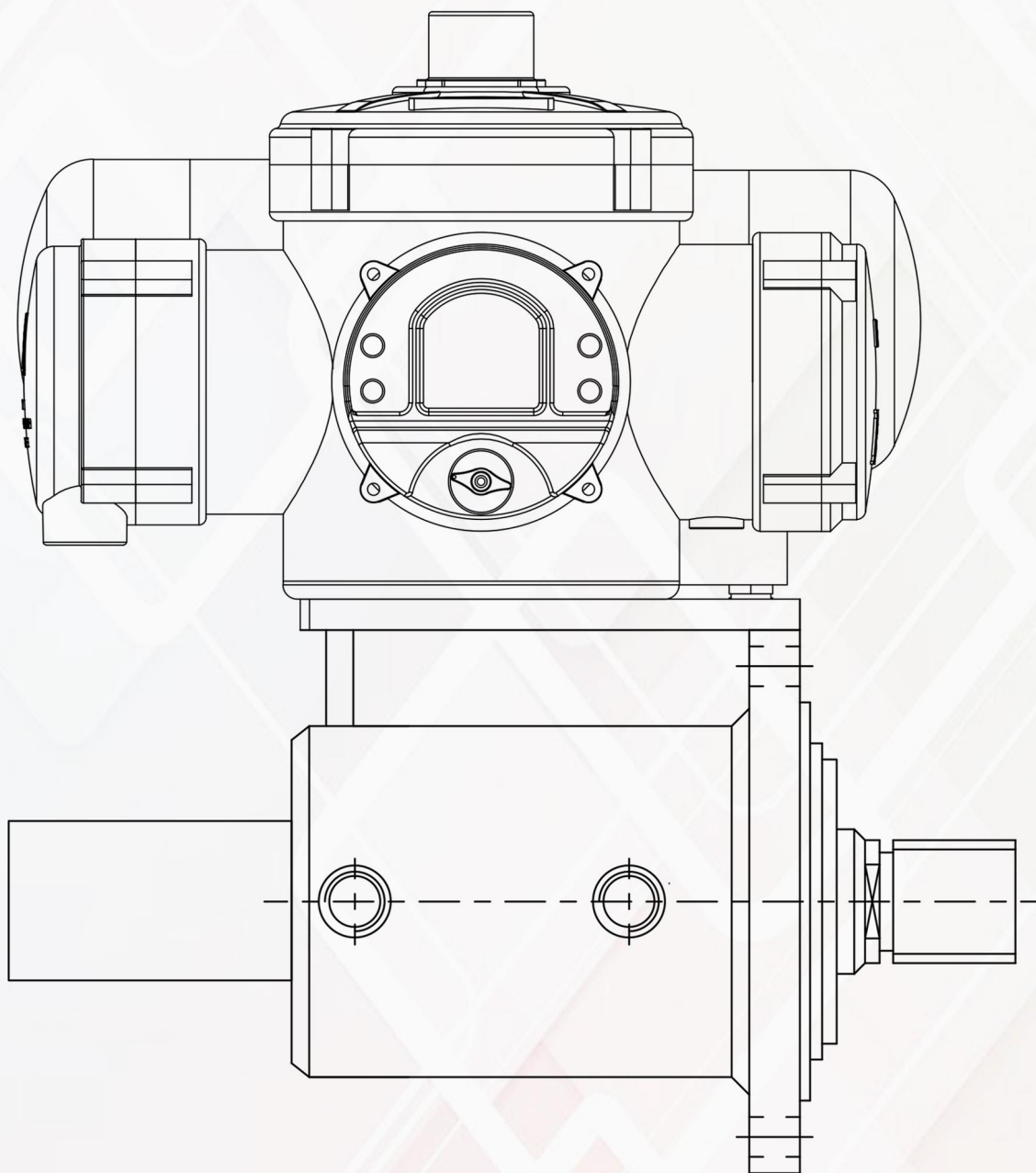
注：推力、行程、安装方式根据客户具体要求设定，最终以双方确认图纸为准。

Note: Push, Stroke and installation can be programmed upon request, the final object with customer confirmation.



Control

EHA-ZT 卧式

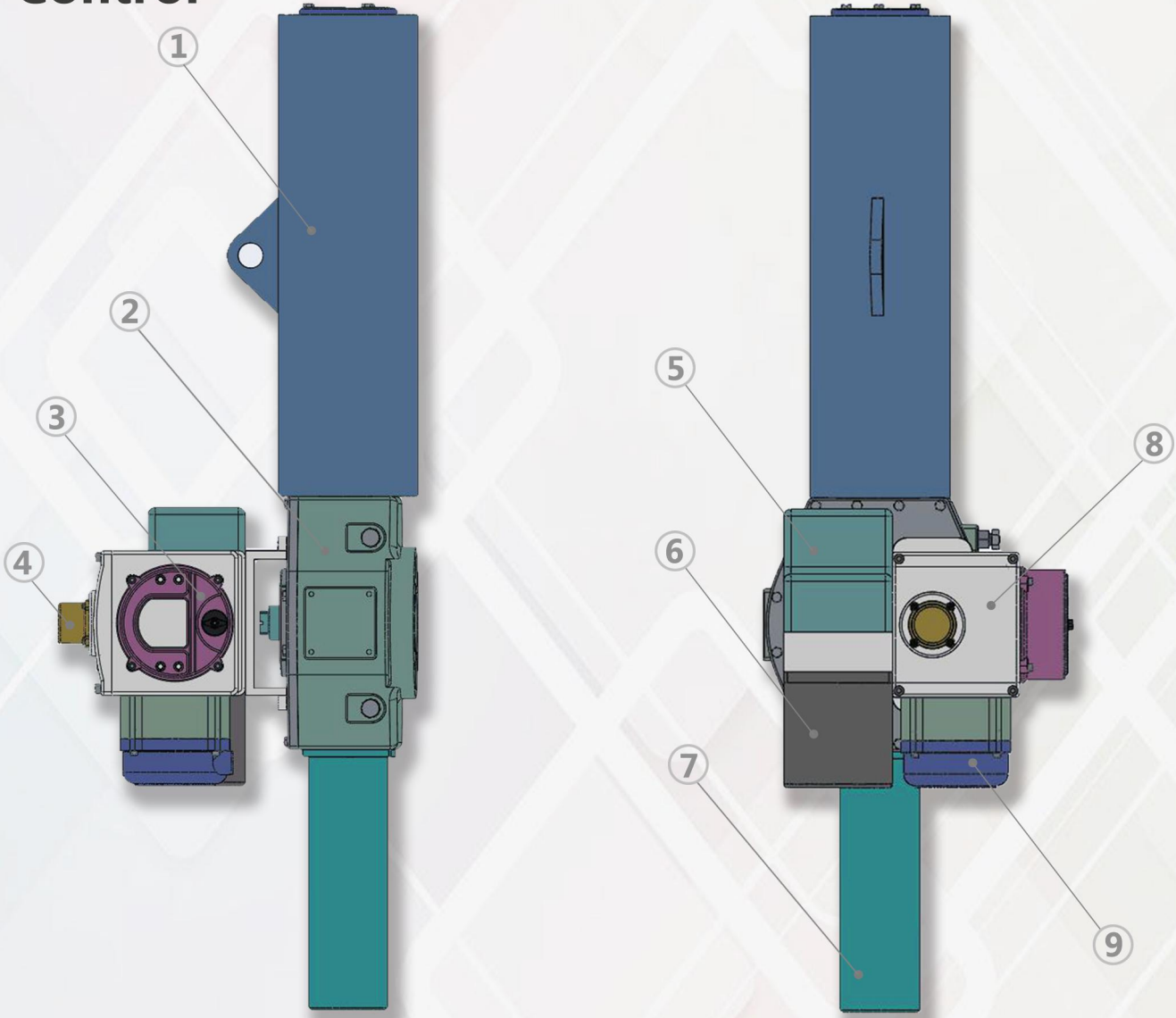


注：推力、行程、安装方式根据客户具体要求设定，最终以双方确认图纸为准。

Note: Push, Stroke and installation can be programmed upon request, the final object with customer confirmation.

Intelligent Electro-Hydraulic Actuators

JDP[®]
Control



1 弹簧筒
Spring Cartridge

2 拨叉
Scotch Yoke

3 操作窗口
Operating System

4 指示器
Indicator

5 驱动电机
Drive Motor

6 液压系统
Hydraulic System

7 油缸
Oil Cylinder

8 电控系统
Electronic Control System

9 接线端盖
Junction Box Cover