

# 501G 高压套筒导向型调节阀

## High-Pressure Cage Guided Control Valves

**概要**

流体压力平衡阀芯型高压套筒导向型调节阀是一种大容量、动态稳定性优良、适合苛刻工况条件的高性能调节阀。由于具有使作用在阀芯上的流体压力平衡的结构，因此只须用较小的操作力便可达到稳定调节，能够承受较高的工作压差。

**GENERAL**

This series is our latest high pressure cage guided control valve of large Cv value, and of dynamic stability. It is suitable to a variety of heavy duty services. This series is characterized by pressure balanced type trim for very high pressure drops.

**标准规格 STANDARD SPECIFICATIONS**

**本体部 BODY**

|  |  |
|--|--|
| 形式 Type                                      | 流体压力平衡型阀芯 Pressure balanced plug type  |
| 公称口径 Body size                               | 1.5"~12" (40A~300A 即 DN40~DN300)   |
| 阀芯形状 Plug form                               | 流体压力平衡型阀芯 Pressure balanced plug type  |
| 流量特性 Characteristics                         | 线性、等百分比 Linear, Equal percentage   |
| 阀内件材质 Trim materials<br>阀内件处理 Trim treatment | 标准材质组合及使用温度，请参见表 1。<br>See Tables 1 for hardening treatment and operating temperature.   |
| 公称压力 Body rating                             | ANSI Class 900、1500、2500   |
| 连接方式 Body connections                        | 法兰型 (RF、RTJ)，焊接型 (SW、BW)<br>Flanged (RF、RTJ)，Weld ends (SW、BW)   |
| 法兰距 Face to Face dimension                   | 请参见第 12~21 页。<br>See pages 12~21.  |
| 阀体及上阀盖材质 Body & Bonnet Material              | SCPH2/WCB, SCPH21/WC6, SCPH32/WC9, SCPL1/LCB, SCS13A/CF8, SCS14A/CF8M<br>各种材质的使用温度·压力范围，请参见表 1，表 2。<br>As to the operating pressure-temperature limitation for each material, see Tables 1 and 2.  |
| 上阀盖形式 Bonnet type                            | 标准型 Standard type : -5~+230℃<br>散热片型 Fin-Extension type : -45~-5℃或者超过 230℃ 的情况<br>-45~under -5℃ or over +230℃<br>加长型 Long-Extension type : -196~-45℃<br>但必须注意各材质的使用温度·压力范围。<br>Note : The allowable operating pressure-temperature limitation for each material. |
| 填料 Packing                                   | 聚四氟乙烯碳纤维、柔性石墨。<br>各种填料的使用温度·压力范围，请参见图 2。<br>Teflon fiber, Grafoil, See Fig. 2 for selection.   |
| 垫圈 Gasket                                    | 缠绕式垫圈 (聚四氟乙烯 / SUS316、柔性石墨 / SUS316)<br>各种垫圈的使用温度·压力范围，请参见图 3。<br>Spiral wound metal, with Grafoil or Teflon filler. See Fig. 3 for selection.   |
| 表面涂层色 Painting color                         | 银灰色 (环氧树脂)。但是阀体材质为不锈钢时，本体部不加涂层。<br>Munsell N-6 (Epoxy resin group) is standard. In the case of stainless steel body, no painting is standard.  |

执行机构 ACTUATOR

|  |   |  |  |
|--|---|--|--|
| 规格<br>Specification                            | 型号<br>Type  | 气动薄膜式<br>Diaphragm type  | 气缸式<br>Pneumatic Cylinder type   |
|  |   | 5200LA   | 6300LA   |
|  |   | 多弹簧型<br>Multi-spring type  | 双动作型<br>Double acting type   |
| 用途 Purpose                                     |   | 调节 Modulation  | 调节、开关 Modulation or On-off   |
| 供气压力<br>(弹簧范围)<br>Air supply<br>(Spring range) |   | 300 (80~200) KPa G   | 300~500 KPa G  |
| 接口<br>Connection                               |   | Rc1/4, Rc3/8 (φ650)  | Rc3/8(气缸尺寸 Cylinder size : 200),<br>Rc1/2(300, 450), Rc3/4(600)  |
| 正作用<br>Direct action                           |   | 气压增加关闭<br>Air to valve shut  | 随输入定位器信号增加阀开或关闭。<br>Valve open or shut by air or electric signal.  |
| 反作用<br>Reverse action                          |   | 气压增加阀开<br>Air to valve open  |  |
| 滞后<br>Hysteresis                               |   | ≤1% FS (带定位器)<br>≤1% of FS with positioner   | ≤1% FS (带定位器)<br>≤1% of FS with positioner   |
| 直线性<br>Linearity                               |   | ≤±2% FS (带定位器)<br>≤±2% of FS with positioner   | ≤±2% FS (带定位器)<br>≤±2% of FS with positioner   |
| 允许环境温度<br>Ambient Temp.                        |   | 标准型 Standard type .....-10~+70℃<br>高温型 High Temp.service .....0~+100℃<br>低温型 Low Temp. service .....-40~+40℃ | 标准型 Standard type .....-20~+60℃<br>高温型 High Temp.service .....0~+100℃<br>低温型 Low Temp. service .....-50~+60℃ |
| 标准涂层色<br>Painting                              |   | 银色环氧树脂<br>Munsell : N-6  | 银色环氧树脂<br>Munsell : N-6  |
| 选购设备<br>Option                                 | E/P·P/P 定位器、过滤减压阀、电磁阀、限位开关、调速器、锁止阀、手动操作机构。<br>E/P·P/P-Positioner, Air-set, Solenoid valve, Limit switch, Speed controller, Lock valve, Lock-up valve, Manual handle, etc. |  |  |

性能 PERFORMANCE

|                               |  |
|-------------------------------|--|
| 额定 Cv 值 Rated Cv              | 请参见表 3。 See Table 3.                             |
| 流量特性 Flow characteristics     | 线性、等百分比 Linear, Equal percentage                 |
| 可调比 R Rangeability            | 50 : 1   |
| 阀座泄漏量 Seat Leakage            | 请参见表 1。 See Table 1. (可选用 Option : ANSI CLASS V) |
| 允许压差 Allowable pressure drops | 请参见表 4。 See Table 4.                             |

特殊规格 (有償) OPTIONAL SPECIAL SPECIFICATIONS ( additional cost is required)

|   |   |
|---|---|
| 本体部特殊检查<br>Special testing for Body                         | 材料检查 {液体渗透探伤检查 (PT)、放射线检查 (RT)}、流量特性检查、低温试验、蒸汽试验<br>Material certificate, Liquid penetrant testing, Radiographic testing, Flow characteristic testing, Low temperature testing, Steam testing.  |
| 本体部特殊清洗<br>Special cleaning for Body                        | 完全禁油、除水处理<br>Oxygen clean, Oil-free, Water-free   |
| 本体部及执行机构特殊规格<br>Special specification for Body and Actuator | 防砂、防尘型、防盐腐蚀型、寒冷地区用、热带地区用、无铜处理、特殊空气配管及特殊气接头、真空工作条件用、接触大气部分的螺栓、螺母采用不锈钢、指定涂层色<br>Sand and Dust proof, Salty environment proof, Cold area proof, Tropical area proof<br>Copper-free alloy, Special piping and fitting, Vacuum service proof, SUS bolt and nut for exposed parts, Non-standard painting. |
| 认证 Authorization  | 获得高压气体认定法的认定 Japanese government authorization for high pressure gas.   |

表 1 阀体、阀内件材质组合及使用温度范围·阀座允许泄漏量

Table 1 BODY/TRIM STANDARD MATERIAL COMBINATION, OPERATING TEMPERATURE AND SEAT LEAKAGE.

- ① 当阀座泄漏率要达到 ANSI CLASS V时, 请与 KOSO 确认。
- ② 如可能发生空化气蚀, 请研究选用防空化气蚀的调节阀。
- ③ 如可能发生闪蒸, 请选用缩腔型, 阀芯及阀座表面全部堆焊司太莱合金。
- ① When ANSI CLASS V for seat leakage is required, please consult us.
- ② In the case of cavitation service, we recommend our anti-cavitation control valves.
- ③ In the case of flashing service, we recommend reduced bore and stellite full surface of plug and seat ring.
- R.TFE : 强化聚四氟乙烯 Reinforced Teflon                      ● HT : 热处理 Heat treatment
- Hcr : 镀硬铬 Hard chrome plated                                  ● SS : 部分堆焊司太莱合金 Stellite seat surface
- PH : 析出硬化热处理 Precipitation hardening                ● SF : 全部堆焊司太莱合金 Stellite full surface

表 1-1 阀体材质: 碳钢

Table 1-1 BODY MATERIAL : CARBON STEEL

| 阀体材质 Body material               |                 | SCPH2/A216-WCB, SCPH21/A217-WC6, SCPH32/A217-WC9, SCPL1/A352-LCB |              |                  |
|----------------------------------|-----------------|--|--------------|------------------|
| 套筒<br>Cage                       | 材质 Material     | SCS24/SUS630   | SCS24/SUS630 | 司太莱合金铸件 Stellite |
|                                  | 处理 Treatment    | PH   | PH           | —                |
| 阀芯<br>Plug                       | 材质 Material     | SUS410   | SUS410       | A182-F11         |
|                                  | 处理 Treatment    | HT   | HT           | SS/SF            |
| 阀座<br>Seat ring                  | 材质 Material     | SUS410   | SUS410       | A182-F11         |
|                                  | 处理 Treatment    | HT   | HT           | SS/SF            |
| 平衡密封环<br>Balance seal            | 材质 Material     | R.TFE  | 柔性石墨 Grafoil | 柔性石墨 Grafoil     |
|                                  | 垫环 Back ring    | SUS316   | —            | —                |
| 垫圈 Gasket                        | 材质 Material     | T/#1806GR  | T/#1806GR    | T/#1806GR        |
| 阀座允许泄漏量<br>Seat Leakage          | ANSI            | Class IV   | Class IV     | Class IV         |
|                                  | Rated Cv×       | 0.01%  | 0.01%        | 0.01%            |
| 使用温度<br>Operating temperature °C | SCPH2/WCB body  | -5~+230  | -5~+425      | -5~+475          |
|                                  | SCPH21/WC6 body | -5~+230  | -5~+425      | -5~+565          |
|                                  | SCPH32/WC9 body | -5~+230  | -5~+425      | -5~+565          |
|                                  | SCPL1/LCB body  | -45~+230   | -45~+350     | —                |

表 1-2 阀体材质: 不锈钢

Table 1-2 BODY MATERIAL : STAINLESS STEEL

| 阀体材质 Body material         |              | SCS13A/A351-CF8, SCS14A/A351-CF8M |           |              |
|----------------------------|--------------|-----------------------------------|-----------|--------------|
| 套筒<br>Cage                 | 材质 Material  | SCS14A/SUS316                     |           |              |
|                            | 处理 Treatment | Hcr                               |           |              |
| 阀芯<br>Plug                 | 材质 Material  | SUS316                            | SUS316    | SUS316       |
|                            | 处理 Treatment | —                                 | SS/SF     | SS/SF        |
| 阀座<br>Seat ring            | 材质 Material  | SUS316                            | SUS316    | SUS316       |
|                            | 处理 Treatment | —                                 | SS/SF     | SS/SF        |
| 平衡密封环<br>Balance seal      | 材质 Material  | R.TFE*①                           | R.TFE*①   | 柔性石墨 Grafoil |
|                            | 垫环 Back ring | SUS316                            | SUS316    | —            |
| 垫圈 Gasket                  | 材质 Material  | T/#1806GR/T/#9090                 | T/#1806GR | T/#1806GR    |
| 阀座允许泄漏量<br>Seat Leakage    | ANSI         | Class IV                          | Class IV  | Class IV     |
|                            | Rated Cv×    | 0.01%                             | 0.01%     | 0.01%        |
| 使用温度<br>Operating Temp. °C |              | -196~+230                         | -196~+230 | -196~+565    |

\*①流体温度在-75℃以下的场合, 平衡密封环的材质: Fluoroloy G; 垫环材质: Elgiloy。

When the fluid temperature is below -75°C, the materials for the balance seal and the back ring will be Fluoroloy G and Elgiloy, respectively.

表 2 阀体材质的使用温度·压力范围

Table 2 BODY MATERIAL/OPERATING PRESSURE-TEMPERATURE RATING

UNIT : MPa G

| 温度<br>Temp.<br>°C | ANSI Class 900 |             |            |            |             |              | ANSI Class 1500 |             |            |            |             |              | ANSI Class 2500 |             |            |            |             |              |
|-------------------|----------------|-------------|------------|------------|-------------|--------------|-----------------|-------------|------------|------------|-------------|--------------|-----------------|-------------|------------|------------|-------------|--------------|
|                   | SCPL1          | SCPH2       | SCPH21     | SCPH32     | SCS13A      | SCS14A       | SCPL1           | SCPH2       | SCPH21     | SCPH32     | SCS13A      | SCS14A       | SCPL1           | SCPH2       | SCPH21     | SCPH32     | SCS13A      | SCS14A       |
|                   | LCB            | A105<br>WCB | F11<br>WC6 | F22<br>WC9 | F304<br>CF8 | F316<br>CF8M | LCB             | A105<br>WCB | F11<br>WC6 | F22<br>WC9 | F304<br>CF8 | F316<br>CF8M | LCB             | A105<br>WCB | F11<br>WC6 | F22<br>WC9 | F304<br>CF8 | F316<br>CF8M |
| -196~38           | —              | —           | —          | —          | 14.88       | 14.88        | —               | —           | —          | —          | 24.79       | 24.79        | —               | —           | —          | —          | 41.33       | 41.34        |
| -45~38            | 14.35          | —           | —          | —          | 14.88       | 14.88        | 23.92           | —           | —          | —          | 24.79       | 24.79        | 39.87           | —           | —          | —          | 41.33       | 41.34        |
| -5~38             | 14.35          | 15.31       | 15.50      | 15.50      | 14.88       | 14.88        | 23.92           | 25.51       | 25.84      | 25.84      | 24.79       | 24.79        | 39.87           | 42.52       | 43.07      | 43.07      | 41.33       | 41.34        |
| 50                | 14.18          | 15.01       | 15.33      | 15.35      | 14.34       | 14.43        | 23.64           | 25.02       | 25.55      | 25.58      | 23.90       | 24.04        | 39.40           | 41.70       | 42.59      | 42.64      | 39.84       | 40.07        |
| 100               | 13.52          | 13.90       | 14.62      | 14.70      | 12.25       | 12.65        | 22.53           | 23.16       | 24.36      | 24.50      | 20.42       | 21.09        | 37.56           | 38.62       | 40.61      | 40.85      | 34.01       | 35.14        |
| 150               | 13.18          | 13.56       | 13.90      | 13.98      | 10.89       | 11.54        | 21.96           | 22.60       | 23.18      | 23.30      | 18.16       | 19.24        | 36.60           | 37.66       | 38.61      | 38.84      | 30.26       | 32.07        |
| 200               | 12.79          | 13.14       | 13.63      | 13.45      | 9.82        | 10.69        | 21.32           | 21.89       | 22.73      | 22.40      | 16.37       | 17.83        | 35.53           | 36.50       | 37.88      | 37.35      | 27.28       | 29.71        |
| 250               | 12.17          | 12.51       | 13.33      | 13.26      | 9.15        | 10.02        | 20.28           | 20.84       | 22.22      | 22.10      | 15.26       | 16.68        | 33.80           | 34.75       | 37.03      | 36.83      | 25.43       | 27.80        |
| 300               | 11.30          | 11.61       | 12.72      | 12.72      | 8.71        | 9.49         | 18.84           | 19.36       | 21.20      | 21.20      | 14.52       | 15.80        | 31.40           | 32.26       | 35.33      | 35.33      | 24.20       | 26.34        |
| 350               | 10.78          | 11.08       | 12.06      | 12.06      | 8.42        | 9.12         | 17.96           | 18.46       | 20.11      | 20.11      | 14.02       | 15.20        | 29.95           | 30.78       | 33.51      | 33.51      | 23.36       | 25.36        |
| 375               |                | 10.94       | 11.63      | 11.63      | 8.32        | 8.91         |                 | 18.22       | 19.38      | 19.38      | 13.86       | 14.84        |                 | 30.37       | 32.32      | 32.32      | 23.12       | 24.74        |
| 400               |                | 10.34       | 10.98      | 10.98      | 8.23        | 8.72         |                 | 17.24       | 18.28      | 18.28      | 13.72       | 14.55        |                 | 28.73       | 30.47      | 30.47      | 22.87       | 24.25        |
| 425               |                | 8.62        | 10.53      | 10.53      | 8.14        | 8.59         |                 | 14.37       | 17.54      | 17.54      | 13.57       | 14.32        |                 | 23.94       | 29.23      | 29.23      | 22.63       | 23.87        |
| 450               |                | 6.01        | 10.13      | 10.13      | 8.06        | 8.42         |                 | 10.02       | 16.89      | 16.89      | 13.42       | 14.03        |                 | 16.68       | 28.16      | 28.16      | 22.37       | 23.38        |
| 475               |                | 4.06        | 9.50       | 9.50       | 7.97        | 8.20         |                 | 6.76        | 15.82      | 15.82      | 13.27       | 13.67        |                 | 11.28       | 26.36      | 26.36      | 22.13       | 22.79        |
| 500               |                |             | 8.33       | 8.33       | 7.81        | 8.05         |                 |             | 13.89      | 13.89      | 13.02       | 13.40        |                 |             | 23.15      | 23.15      | 21.71       | 22.34        |
| 525               |                |             | 6.08       | 6.58       | 7.15        | 7.73         |                 |             | 10.12      | 10.96      | 11.94       | 12.89        |                 |             | 16.88      | 18.26      | 19.88       | 21.47        |
| 550               |                |             | 3.83       | 4.91       | 6.54        | 7.49         |                 |             | 6.38       | 8.17       | 10.91       | 12.48        |                 |             | 10.63      | 13.63      | 18.17       | 20.79        |
| 575               |                |             | 2.55       | 3.51       | 6.02        | 7.22         |                 |             | 4.24       | 5.85       | 10.04       | 12.04        |                 |             | 7.08       | 9.74       | 16.72       | 20.07        |
| 600               |                |             | 1.75       | 2.29       | 5.01        | 6.43         |                 |             | 2.94       | 3.82       | 8.35        | 10.71        |                 |             | 4.90       | 6.36       | 13.92       | 17.85        |
| 625               |                |             |            |            | 3.92        | 5.48         |                 |             |            |            | 6.54        | 9.12         |                 |             |            |            | 10.89       | 15.20        |
| 650               |                |             |            |            | 3.16        | 4.23         |                 |             |            |            | 5.25        | 7.06         |                 |             |            |            | 8.75        | 11.76        |
| 675               |                |             |            |            | 2.33        | 3.78         |                 |             |            |            | 3.88        | 6.31         |                 |             |            |            | 6.45        | 10.53        |

图 1 平衡密封环使用温度·压力范围

Fig. 1 BALANCE SEAL PRESSURE-TEMPERATURE RATINGS

图 1-1 R.TFE/SUS316

Fig. 1-1 R.TFE/SUS316

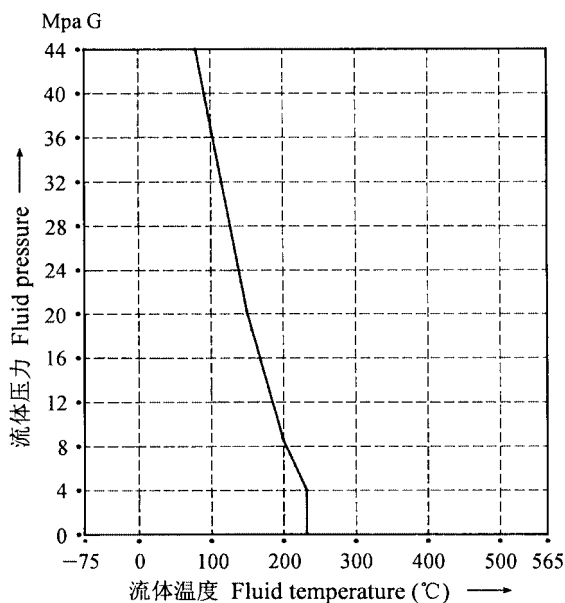


图 1-2 柔性石墨

Fig. 1-2 GRAFOIL

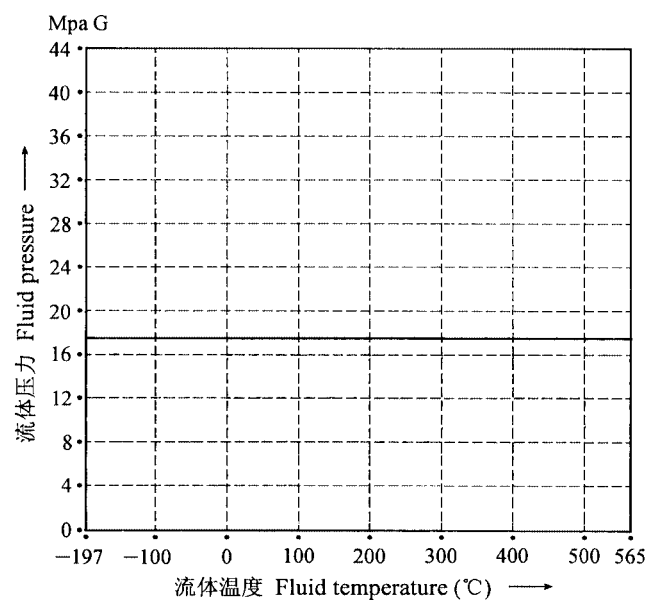


图 1-3 FLUOROLOY G/ELGILOY  
Fig. 1-3 FLUOROLOY G/ELGILOY

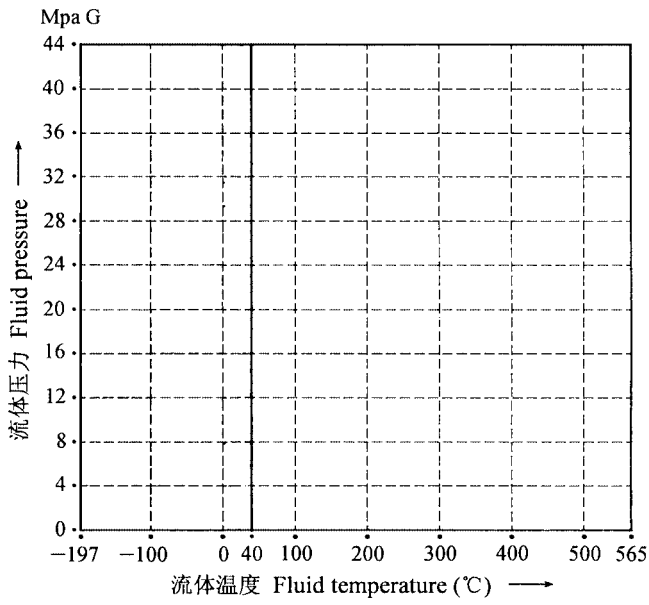


图 2 填料使用温度·压力范围

Fig. 2 GLAND PACKING PRESSURE-TEMPERATURE RATINGS

图 2-1 聚四氟乙烯碳纤维 (P6528+P4519)

Fig. 2-1 TEFLON FIBER

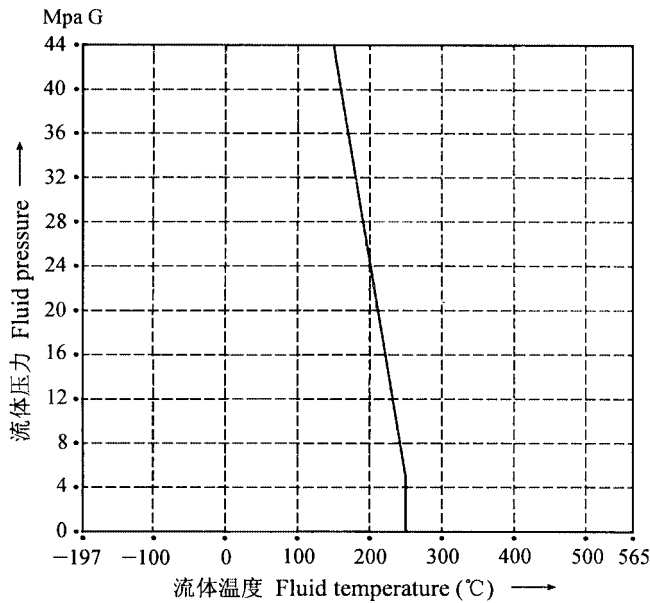


图 2-2 柔性石墨(P6710CH+P6616CH)

Fig. 2-2 GRAFOIL

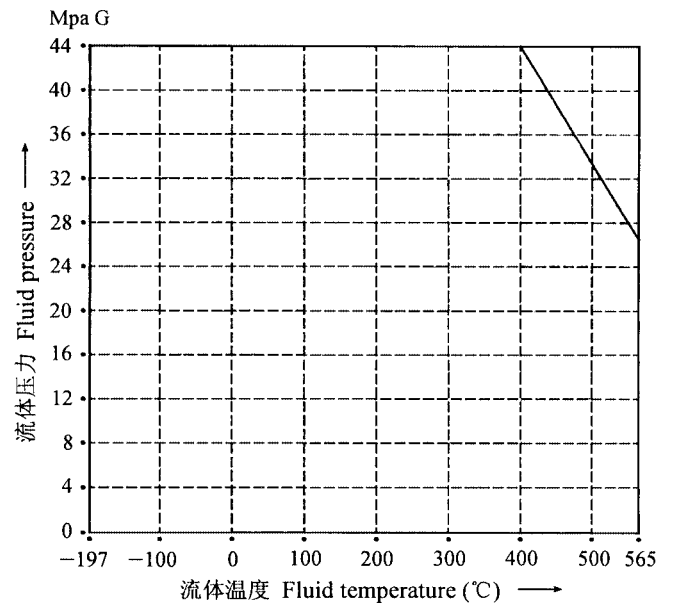


图 3 垫圈使用温度·压力范围

Fig. 3 GASKET PRESSURE-TEMPERATURE RATINGS

图 3-1 柔性石墨 / SUS316 (T/#1806GR)

Fig. 3-1 GRAFOIL/SUS316

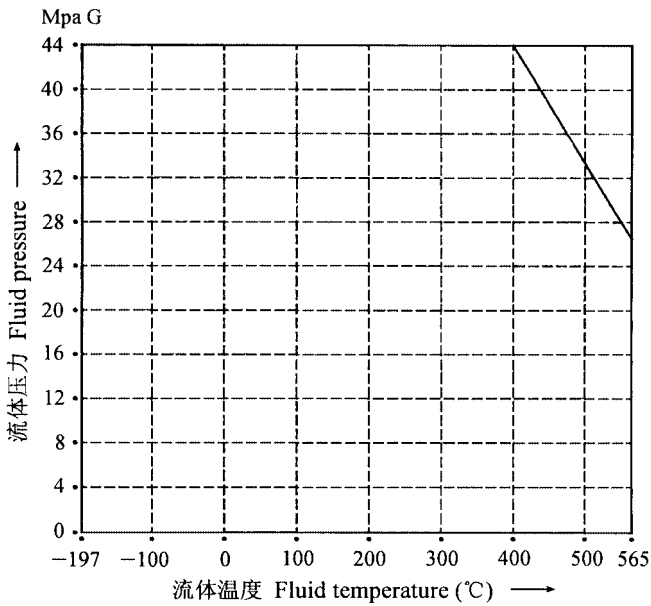


图 3-2 聚四氟乙烯 / SUS316 (T/#9090)

Fig. 3-2 TEFLON/SUS316

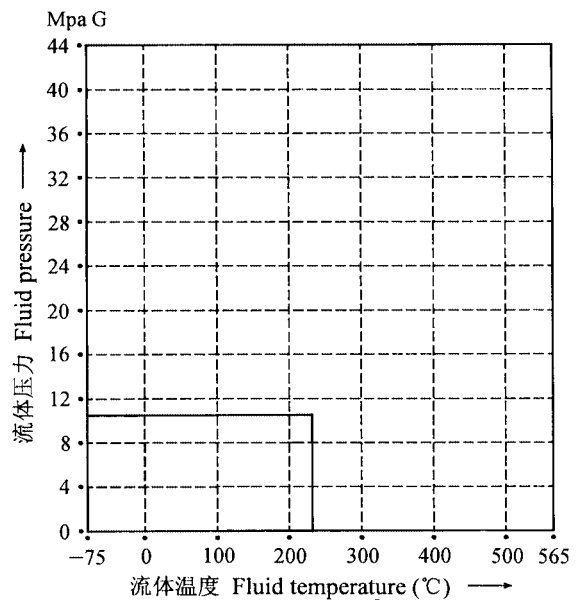


表 3 额定 Cv 及行程

Table 3 Cv VALUE AND STROKE

表 3-1 公称压力 ANSI Class 900、1500

Table 3-1 BODY RATING ANSI Class 900、1500

| 公称通径<br>Valve size<br>inch (mm) | 阀芯尺寸<br>Plug size<br>inch (mm) | 额定 Rated<br>Cv |        | 行程<br>Stroke<br>mm |
|---------------------------------|--------------------------------|----------------|--------|--------------------|
|                                 |                                | EQ%            | Linear |                    |
| 1.5 (40)                        | 1 (25)                         | 17             | 20     | 20                 |
|                                 | 1.25(32)                       | 25             | 30     | 20                 |
| 2 (50)                          | 1 (25)                         | 17             | 20     | 20                 |
|                                 | 1.25(32)                       | 25             | 30     | 20                 |
|                                 | 1.5 (40)                       | 50             | 60     | 25                 |
| 3 (80)                          | 1.5 (40)                       | 50             | 60     | 25                 |
|                                 | 2 (50)                         | 75             | 90     | 40                 |
|                                 | 2.5 (65)                       | 110            | 132    | 40                 |
| 4 (100)                         | 2 (50)                         | 75             | 90     | 40                 |
|                                 | 2.5 (65)                       | 110            | 132    | 40                 |
|                                 | 3 (80)                         | 170            | 204    | 50                 |
| 6 (150)                         | 3 (80)                         | 170            | 204    | 50                 |
|                                 | 4 (100)                        | 275            | 330    | 70                 |
|                                 | 5 (125)                        | 370            | 445    | 70                 |
| 8 (200)                         | 4 (100)                        | 275            | 330    | 70                 |
|                                 | 5 (125)                        | 370            | 445    | 70                 |
|                                 | 7 (175)                        | 650            | 700    | 80                 |
| 10 (250)                        | 7 (175)                        | 650            | 700    | 80                 |
|                                 | 8 (200)                        | 900            | 970    | 90                 |
|                                 | 8 (200)                        | 900            | 970    | 90                 |
|                                 | 10 (250)                       | 1300           | 1400   | 100                |

表 3-2 公称压力 ANSI Class 2500

Table 3-2 BODY RATING ANSI Class 2500

| 公称通径<br>Valve size<br>inch (mm) | 阀芯尺寸<br>Plug size<br>inch (mm) | 额定 Rated<br>Cv |        | 行程<br>Stroke<br>mm |
|---------------------------------|--------------------------------|----------------|--------|--------------------|
|                                 |                                | EQ%            | Linear |                    |
| 1.5 (40)                        | 1 (25)                         | 17             | 20     | 20                 |
| 2 (50)                          | 1 (25)                         | 17             | 20     | 20                 |
|                                 | 1.25(32)                       | 30             | 36     | 25                 |
| 3 (80)                          | 1.25(32)                       | 30             | 36     | 25                 |
|                                 | 2 (50)                         | 75             | 90     | 40                 |
| 4 (100)                         | 2 (50)                         | 75             | 90     | 40                 |
|                                 | 2.5 (65)                       | 125            | 150    | 50                 |
| 6 (150)                         | 2.5 (65)                       | 125            | 150    | 50                 |
|                                 | 4 (100)                        | 275            | 330    | 70                 |
| 8 (200)                         | 4 (100)                        | 275            | 330    | 70                 |
|                                 | 5 (125)                        | 480            | 530    | 80                 |

图 4 本体部构造

Fig. 4 BODY SECTION VIEW

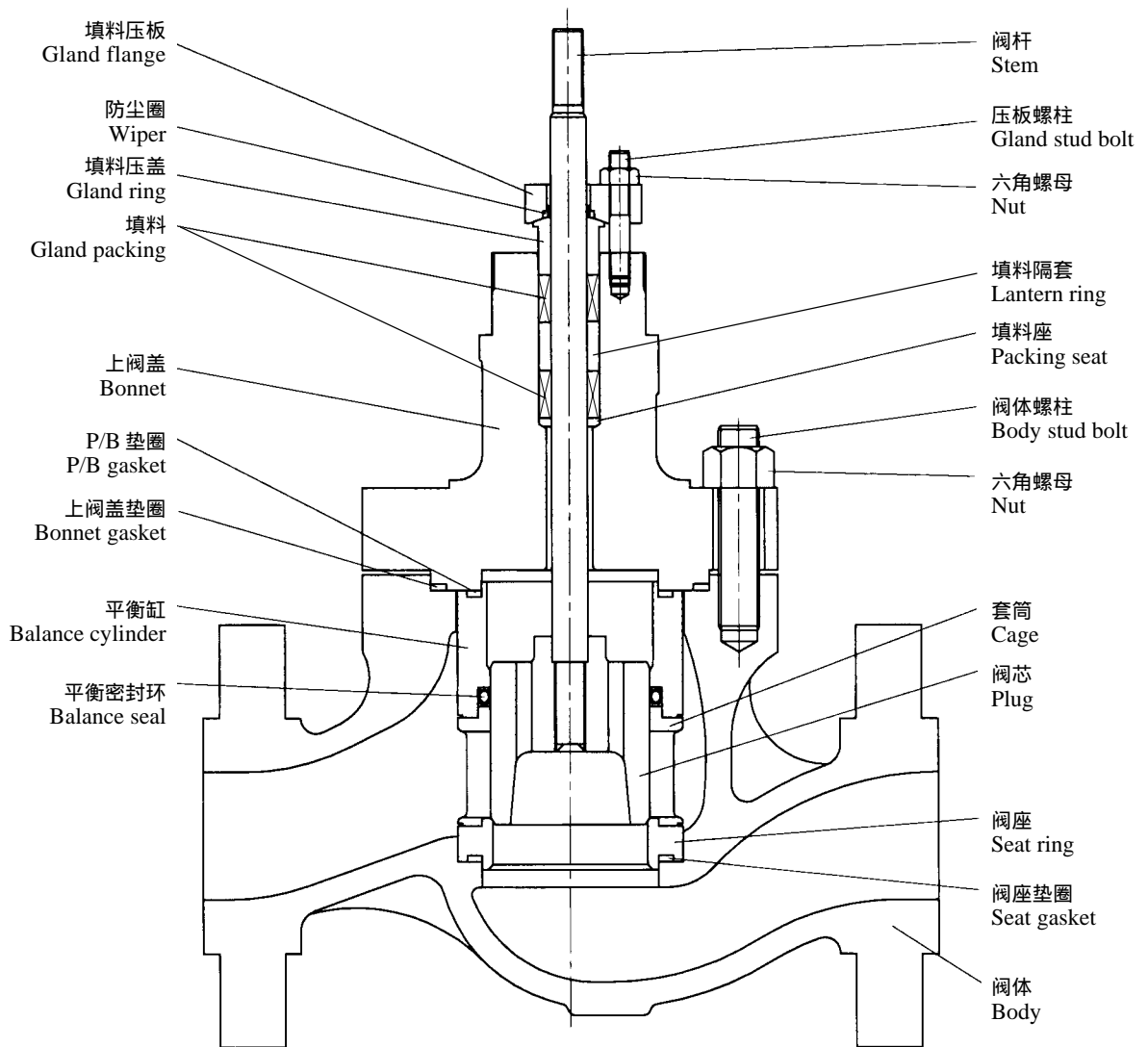


表 4 最大允许压差（单位：MPa）

Table 4 ALLOWABLE PRESSURE DROPS (UNIT : MPa)

阀门口径与执行机构的标准组合请参见第 12~21 页。

See pages 12~21, for valve size-actuator size combinations.

DA : 正作用（气压增加时阀闭） Direct action ( Air to valve shut )

RA : 反作用（气压增加时阀开） Reverse action ( Air to valve open )

表 4-1 薄膜式执行机构（5200LA）

Table 4-1 DIAPHRAGM ACTUATOR(5200LA)

表 4-1A 填料：聚四氟乙烯碳纤维 (P6528+P4519) / 介质温度：+230℃ 以下

Table 4-1A PACKING : TFE FIBER/MEDIUM TEMPERATURE : UNDER +230℃

| 公称压力<br>Body rating    | 执行机构<br>尺寸<br>Actuator<br>size | 气源压力<br>Air supply<br>(不平衡)<br>(Off-balance)<br>KPa G | 阀座形式<br>Seat ring | 平衡密封环：强化聚四氟乙烯 / SUS316<br>Balance seal : Reinforced Teflon/SUS316 |       |       |       |       |       |       |       |       |       |    |
|------------------------|--------------------------------|---|-------------------|---|-------|-------|-------|-------|-------|-------|-------|-------|-------|----|
|                        |                                |   |                   | 阀芯尺寸 Plug size ( inch )   |       |       |       |       |       |       |       |       |       |    |
|                        |                                |   |                   | 1   | 1.25  | 1.5   | 2     | 2.5   | 3     | 4     | 5     | 7     | 8     | 10 |
| ANSI Class<br>900、1500 | 350                            | 300 (80)  | 金属密封              | 19.80   | 19.21 | 18.42 | 9.94  | —     | —     | —     | —     | —     | —     | —  |
|                        | 450                            |   |                   | 25.09   | 24.70 | 24.21 | 23.62 | 21.13 | 15.94 | 10.31 | —     | —     | —     |    |
|                        | 650                            |   |                   | —   | —     | —     | 25.84 | 25.84 | 25.84 | 25.84 | 25.84 | 18.94 | 15.99 | —  |
| ANSI Class<br>2500     | 350                            | 300 (80)  | 金属密封              | 19.80   | 19.21 | —     | 9.94  | —     | —     | —     | —     | —     | —     | —  |
|                        | 450                            |   |                   | 25.09   | 24.70 | —     | 23.62 | 21.13 | —     | —     | —     | —     | —     | —  |
|                        | 650                            |   |                   | —   | —     | —     | 43.07 | 43.07 | —     | 36.31 | 25.88 | —     | —     | —  |

表 4-1B 填料：柔性石墨(P6710CH+P6616CH) / 介质温度：-196~+565℃

Table 4-1B PACKING : GRAFOIL/MEDIUM TEMPERATURE : -196~+565℃

| 公称压力<br>Body rating    | 执行机构<br>尺寸<br>Actuator<br>size | 气源压力<br>Air supply<br>(不平衡)<br>(Off-balance)<br>KPa G | 阀座形式<br>Seat ring | 平衡密封环：柔性石墨<br>Balance seal : GRAFOIL |       |       |       |     |   |   |   |   |   |    |
|------------------------|--------------------------------|---|-------------------|--------------------------------------|-------|-------|-------|-----|---|---|---|---|---|----|
|                        |                                |   |                   | 阀芯尺寸 Plug size ( inch )              |       |       |       |     |   |   |   |   |   |    |
|                        |                                |   |                   | 1                                    | 1.25  | 1.5   | 2     | 2.5 | 3 | 4 | 5 | 7 | 8 | 10 |
| ANSI Class<br>900、1500 | 350                            | 300 (80)  | 金属密封              | —                                    | —     | —     | —     | —   | — | — | — | — | — | —  |
|                        | 450                            |   |                   | 17.15                                | 14.94 | 13.34 | —     | —   | — | — | — | — | — |    |
|                        | 650                            |   |                   | —                                    | —     | —     | 17.15 | —   | — | — | — | — | — | —  |
| ANSI Class<br>2500     | 350                            | 300 (80)  | 金属密封              | —                                    | —     | —     | —     | —   | — | — | — | — | — | —  |
|                        | 450                            |   |                   | 17.15                                | 14.94 | —     | —     | —   | — | — | — | — | — |    |
|                        | 650                            |   |                   | —                                    | —     | —     | 17.15 | —   | — | — | — | — | — | —  |



表 4-2 气缸式双动作型执行机构 (6300LA)

Table 4-2 DOUBLE ACTING CYLINDER ACTUATOR(6300LA)

表 4-2A 填料：聚四氟乙烯碳纤维 (P6528+P4519) / 介质温度：+230℃以下

Table 4-2A PACKING : TFE FIBER /MEDIUM TEMPERATURE : UNDER +230℃

| 公称压力<br>Body rating    | 执行机构尺寸<br>Actuator size | 气源压力<br>Air supply<br>KPa G | 阀座形式<br>Seat ring | 平衡密封环：强化聚四氟乙烯 / SUS316<br>Balance seal : Reinforced Teflon/SUS316 |       |       |       |       |       |       |       |       |       |       |   |
|------------------------|-------------------------|-----------------------------|-------------------|---|-------|-------|-------|-------|-------|-------|-------|-------|-------|-------|---|
|                        |                         |                             |                   | 阀芯尺寸 Plug size ( inch )   |       |       |       |       |       |       |       |       |       |       |   |
|                        |                         |                             |                   | 1   | 1.25  | 1.5   | 2     | 2.5   | 3     | 4     | 5     | 7     | 8     | 10    |   |
| ANSI Class<br>900、1500 | 200                     | 400                         | 金属密封              | 25.87   | 25.87 | 25.87 | 25.87 | 25.87 | —     | —     | —     | —     | —     | —     |   |
|                        |                         | 500                         |                   | 25.87   | 25.87 | 25.87 | 25.87 | 25.87 | —     | —     | —     | —     | —     |       |   |
|                        | 300                     | 400                         |                   | 25.87   | 25.87 | 25.87 | 25.87 | 25.87 | —     | —     | —     | —     | —     |       |   |
|                        |                         | 500                         |                   | 25.87   | 25.87 | 25.87 | 25.87 | 25.87 | —     | —     | —     | —     | —     |       |   |
|                        | 450                     | 400                         |                   | —   | —     | —     | —     | —     | 25.87 | 25.87 | 25.87 | 25.87 | 25.87 | 25.87 |   |
|                        |                         | 500                         |                   | —   | —     | —     | —     | —     | 25.87 | 25.87 | 25.87 | 25.87 | 25.87 | 25.87 |   |
|                        | 600                     | 400                         |                   | —   | —     | —     | —     | —     | 25.87 | 25.87 | 25.87 | 25.87 | 25.87 | 25.87 |   |
|                        |                         | 500                         |                   | —   | —     | —     | —     | —     | 25.87 | 25.87 | 25.87 | 25.87 | 25.87 | 25.87 |   |
|                        | ANSI Class<br>2500      | 200                         |                   | 400   | 金属密封  | 37.14 | 36.46 | —     | 34.99 | —     | —     | —     | —     | —     | — |
|                        |                         |                             |                   | 500   |       | 43.12 | 43.12 | —     | 43.12 | —     | —     | —     | —     | —     |   |
|                        |                         | 300                         |                   | 400   |       | 43.12 | 43.12 | —     | 43.12 | 43.12 | —     | —     | —     | —     | — |
|                        |                         |                             |                   | 500   |       | 43.12 | 43.12 | —     | 43.12 | 43.12 | —     | —     | —     | —     | — |
| 450                    |                         | 400                         | —                 | —   |       | —     | —     | 43.12 | —     | 43.12 | 38.81 | —     | —     | —     |   |
|                        |                         | 500                         | —                 | —   |       | —     | —     | 43.12 | —     | 43.12 | 43.12 | —     | —     | —     |   |
| 600                    |                         | 400                         | —                 | —   |       | —     | —     | —     | —     | 43.12 | 43.12 | —     | —     | —     |   |
|                        |                         | 500                         | —                 | —   |       | —     | —     | —     | —     | 43.12 | 43.12 | —     | —     | —     |   |

表 4-2B 填料：柔性石墨(P6710CH+P6616CH) / 介质温度：-196~+565℃

Table 4-2B PACKING : GRAFOIL/MEDIUM TEMPERATURE : -196~+565℃

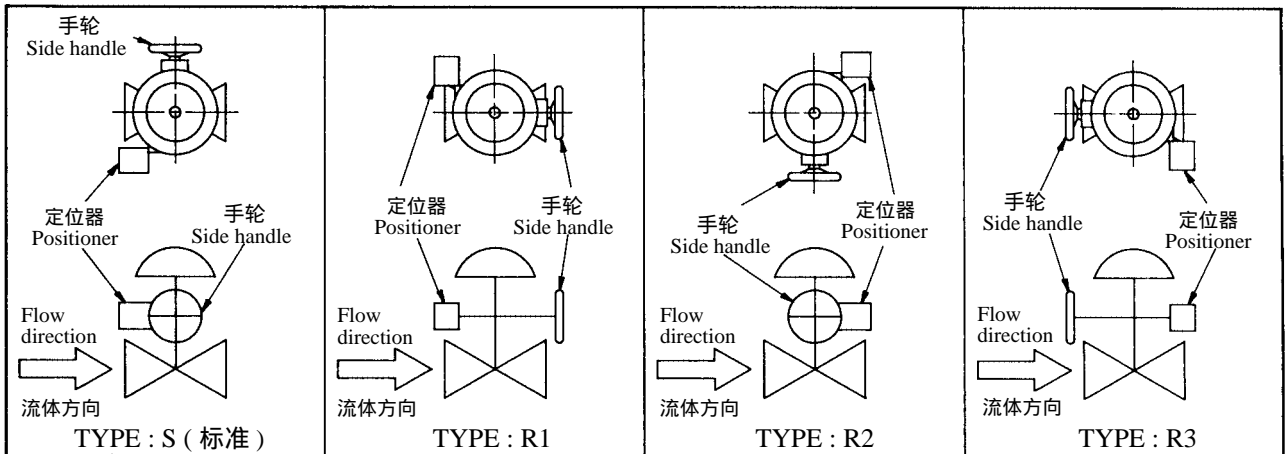
| 公称压力<br>Body rating    | 执行机构尺寸<br>Actuator size | 气源压力<br>Air supply<br>KPa G | 阀座形式<br>Seat ring | 平衡密封环：柔性石墨<br>Balance seal : GRAFOIL |       |       |       |       |       |       |       |       |       |       |
|------------------------|-------------------------|-----------------------------|-------------------|--------------------------------------|-------|-------|-------|-------|-------|-------|-------|-------|-------|-------|
|                        |                         |                             |                   | 阀芯尺寸 Plug size ( inch )              |       |       |       |       |       |       |       |       |       |       |
|                        |                         |                             |                   | 1                                    | 1.25  | 1.5   | 2     | 2.5   | 3     | 4     | 5     | 7     | 8     | 10    |
| ANSI Class<br>900、1500 | 300                     | 400                         | 金属密封              | 17.15                                | 17.15 | 17.15 | 17.15 | 17.15 | —     | —     | —     | —     | —     |       |
|                        |                         | 500                         |                   | 17.15                                | 17.15 | 17.15 | 17.15 | 17.15 | —     | —     | —     | —     |       |       |
|                        | 450                     | 400                         |                   | —                                    | —     | —     | —     | —     | 17.15 | 17.15 | 17.15 | —     | —     |       |
|                        |                         | 500                         |                   | —                                    | —     | —     | —     | —     | 17.15 | 17.15 | 17.15 | —     | —     |       |
|                        | 600                     | 400                         |                   | —                                    | —     | —     | —     | —     | —     | —     | —     | 17.15 | 17.15 | 17.15 |
|                        |                         | 500                         |                   | —                                    | —     | —     | —     | —     | —     | —     | —     | 17.15 | 17.15 | 17.15 |
| ANSI Class<br>2500     | 300                     | 400                         | 金属密封              | 17.15                                | 17.15 | —     | 17.15 | —     | —     | —     | —     | —     | —     |       |
|                        |                         | 500                         |                   | 17.15                                | 17.15 | —     | 17.15 | —     | —     | —     | —     | —     |       |       |
|                        | 450                     | 400                         |                   | —                                    | —     | —     | —     | 17.15 | —     | 17.15 | —     | —     | —     |       |
|                        |                         | 500                         |                   | —                                    | —     | —     | —     | 17.15 | —     | 17.15 | —     | —     | —     |       |
|                        | 600                     | 400                         |                   | —                                    | —     | —     | —     | —     | —     | 17.15 | 17.15 | —     | —     |       |
|                        |                         | 500                         |                   | —                                    | —     | —     | —     | —     | —     | 17.15 | 17.15 | —     | —     |       |

图 5 控制阀安装方位 (5200LA)

Fig. 5 ACTUATOR MOUNTING FORMS FOR 5200LA

图 5-1 执行机构尺寸: 218~450

Fig. 5-1 ACTUATOR SIZE : 218~450

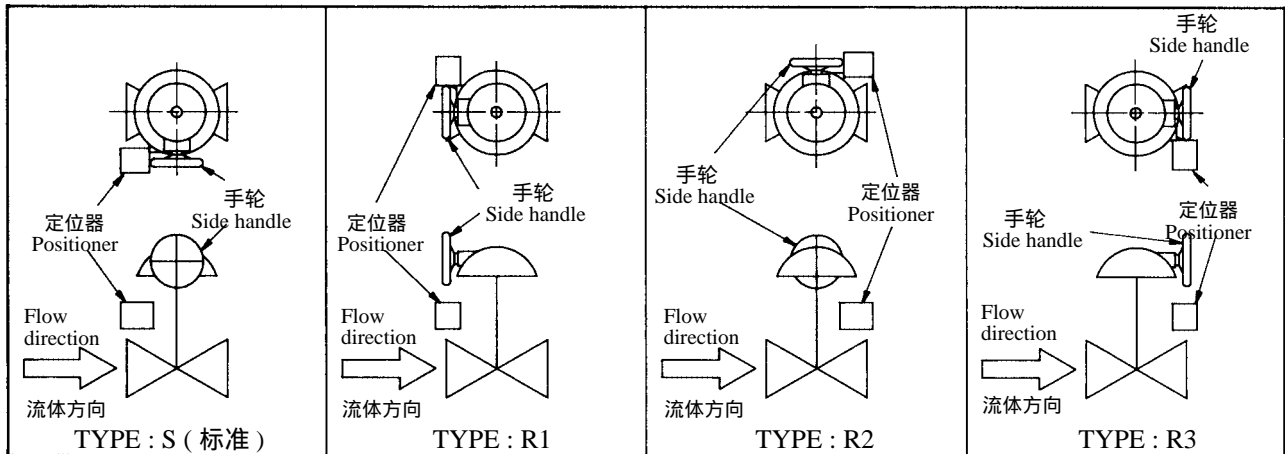


注) 安装位置为非标准时, 请指定安装位置的形式 (TYPE)。

NOTE : Type S is automatically applied, unless otherwise specified.

图 5-2. 执行机构尺寸: 650

Fig. 5-2 ACTUATOR SIZE : 650



注) 安装位置为非标准时, 请指定安装位置的形式 (TYPE)。

NOTE : Type S is automatically applied, unless otherwise specified.

表 5 与标准执行机构组合时的产品重量（单位：kg）

**Table 5 NET WEIGHT OF STANDARD VALVE AND ACTUATOR COMBINED (UNIT: kg)**

本表中所列重量，均为执行机构和本体部的标准产品重量，不包括附件、手动机构等。

Only standard types are represented. Weights of accessories, a handwheel and the like are not included.

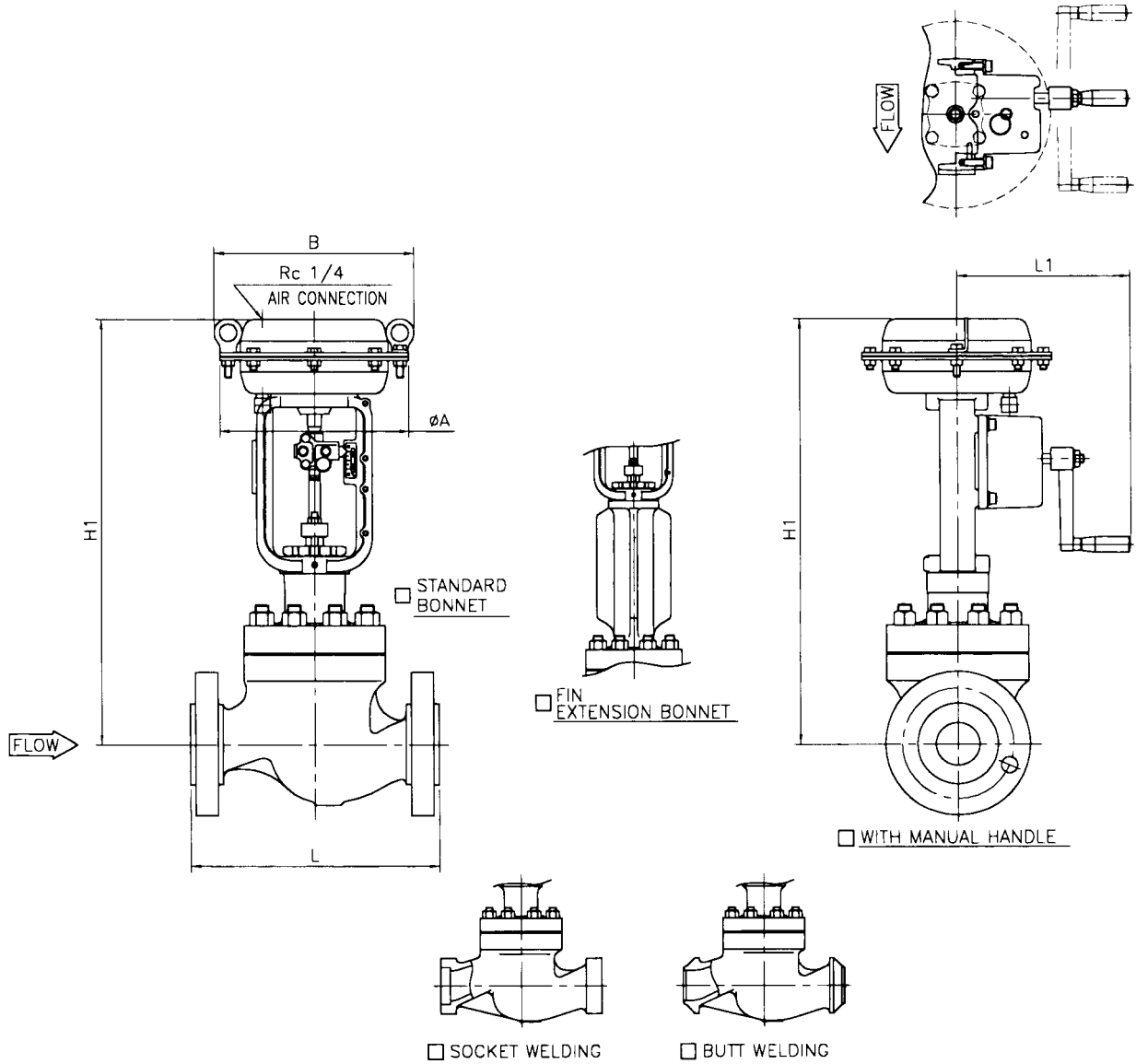
表 5-1 上阀盖形式：标准型 **Table 5-1 BONNET TYPE : STANDARD TYPE**

| 公称通径<br>Valves size<br>Inch (mm) | 本体规格<br>Body rating<br>class | 薄膜式执行机构<br>Diaphragm actuator size<br>5200LA |     |      |      |      | 双动作气缸式执行机构<br>Double acting Cylinder<br>actuator size<br>6300LA |     |      |      |     |
|----------------------------------|------------------------------|--|-----|------|------|------|---|-----|------|------|-----|
|                                  |                              | ANSI Class                                   | 350 | 450S | 450L | 650S | 650L  | 200 | 300  | 450  | 600 |
| 1.5 (40)                         | 900、1500                     | 112  | 140 |      |      |      |   | 130 | 165  |      |     |
|                                  | 2500                         | 137  | 165 |      |      |      |   | 155 | 190  |      |     |
| 2 (50)                           | 900、1500                     | 147  | 175 |      |      |      |   | 165 | 200  |      |     |
|                                  | 2500                         | 182  | 210 |      |      |      |   | 200 | 235  |      |     |
| 3 (80)                           | 900、1500                     | 257  | 285 |      |      |      |   | 275 | 310  |      |     |
|                                  | 2500                         | 322  | 350 |      |      |      |   | 340 | 375  |      |     |
| 4 (100)                          | 900、1500                     |  | 328 | 350  | 455  |      |   | 380 | 485  |      |     |
|                                  | 2500                         |  | 418 | 440  | 545  |      |   | 465 | 570  |      |     |
| 6 (150)                          | 900、1500                     |  |     | 525  | 630  | 661  |   |     | 660  | 765  |     |
|                                  | 2500                         |  |     | 635  | 740  | 771  |   |     | 770  | 870  |     |
| 8 (200)                          | 900、1500                     |  |     | 725  |      | 861  |   |     | 850  | 950  |     |
|                                  | 2500                         |  |     | 875  |      | 1011 |   |     | 945  | 1050 |     |
| 10 (250)                         | 900、1500                     |  |     |      |      | 1263 |   |     | 1290 | 1390 |     |
|                                  | 2500                         |  |     |      |      |      |   |     |      |      |     |
| 12 (300)                         | 900、1500                     |  |     |      |      | 1778 |   |     | 1805 | 1905 |     |
|                                  | 2500                         |  |     |      |      |      |   |     |      |      |     |

表 5-2 上阀盖形式：散热片型 **Table 5-2 BONNET TYPE : FIN-EXTENSION TYPE**

| 公称通径<br>Valves size<br>Inch (mm) | 本体规格<br>Body rating<br>class | 薄膜式执行机构<br>Diaphragm actuator size<br>5200LA |     |      |      |      | 双动作气缸式执行机构<br>Double acting Cylinder<br>actuator size<br>6300LA |     |     |     |      |
|----------------------------------|------------------------------|--|-----|------|------|------|---|-----|-----|-----|------|
|                                  |                              | ANSI Class                                   | 350 | 450S | 450L | 650S | 650L  | 200 | 300 | 450 | 600  |
| 1.5 (40)                         | 900、1500                     | 117  | 145 |      |      |      |   |     | 170 |     |      |
|                                  | 2500                         | 142  | 170 |      |      |      |   |     | 195 |     |      |
| 2 (50)                           | 900、1500                     |  | 185 |      |      |      |   |     | 210 |     |      |
|                                  | 2500                         |  | 220 |      |      |      |   |     | 245 |     |      |
| 3 (80)                           | 900、1500                     |  | 295 |      |      |      |   |     | 320 |     |      |
|                                  | 2500                         |  | 360 |      |      |      |   |     | 395 |     |      |
| 4 (100)                          | 900、1500                     |  | 358 | 380  | 485  |      |   |     | 405 | 510 |      |
|                                  | 2500                         |  | 473 | 465  | 570  |      |   |     | 495 | 600 |      |
| 6 (150)                          | 900、1500                     |  |     |      | 665  | 695  |   |     |     | 690 |      |
|                                  | 2500                         |  |     |      | 775  | 806  |   |     |     | 810 |      |
| 8 (200)                          | 900、1500                     |  |     |      |      | 905  |   |     |     | 895 |      |
|                                  | 2500                         |  |     |      |      | 1056 |   |     |     |     | 1100 |
| 10 (250)                         | 900、1500                     |  |     |      |      |      |   |     |     |     | 1450 |
|                                  | 2500                         |  |     |      |      |      |   |     |     |     |      |
| 12 (300)                         | 900、1500                     |  |     |      |      |      |   |     |     |     | 1985 |
|                                  | 2500                         |  |     |      |      |      |   |     |     |     |      |

# GLOBE-VALVE DIRECT ACTION



## DIMENSIONS

UNIT : mm

| VALVE SIZE         | FACE TO FACE : L |               |               |                |               |                | ANSI 900#, 1500# BONNET |          | ANSI 2500# BONNET |          | ACTUATOR  |     |                          |          |
|--------------------|------------------|---------------|---------------|----------------|---------------|----------------|-------------------------|----------|-------------------|----------|-----------|-----|--------------------------|----------|
|                    | ANSI 900# RF     | ANSI 900# RTJ | ANSI 1500# RF | ANSI 1500# RTJ | ANSI 2500# RF | ANSI 2500# RTJ | STD.                    | FIN EXT. | STD.              | FIN EXT. | SIZE<br>A | B   | WITH MANUAL HANDLE<br>L1 | CODE No. |
| 93 1.5" (40A)      | 333              | 333           | 333           | 333            | 358           | 361            | 695                     | 845      | 745               | 895      |           |     |                          |          |
|                    |                  |               |               |                |               |                | 760                     | 910      | 810               | 960      | 450       | 472 | 336                      | 524SLA   |
| 2 2" (50A)         | 375              | 378           | 375           | 378            | 437           | 440            | 710                     | 860      | 775               | 925      | 350       | 367 | 230                      | 5235LA   |
|                    |                  |               |               |                |               |                | 775                     | 925      | 840               | 990      | 450       | 472 | 336                      | 524SLA   |
| 3 3" (80A)         | 440              | 443           | 460           | 463            | 498           | 505            | 780                     | 930      | 835               | 985      | 350       | 367 | 230                      | 5235LA   |
|                    |                  |               |               |                |               |                | 845                     | 995      | 900               | 1050     | 450       | 472 | 336                      | 524SLA   |
| 4 4x2" (100x50A)   | 510              | 513           | 530           | 533            | 566           | 575            | 915                     | 1065     | 975               | 1125     | 450       | 472 | 336                      | 524SLA   |
| 4 4x2.5" (100x65A) | 510              | 513           | 530           | 533            | —             | —              | 915                     | 1065     | —                 | —        | 450       | 472 | 336                      | 524SLA   |

\*FLANGE IS FOLLOWING TO A STANDARD WHICH IS DESCRIBED ON SPECIFICATION SHEET.

NOTE:

DRAWING No.

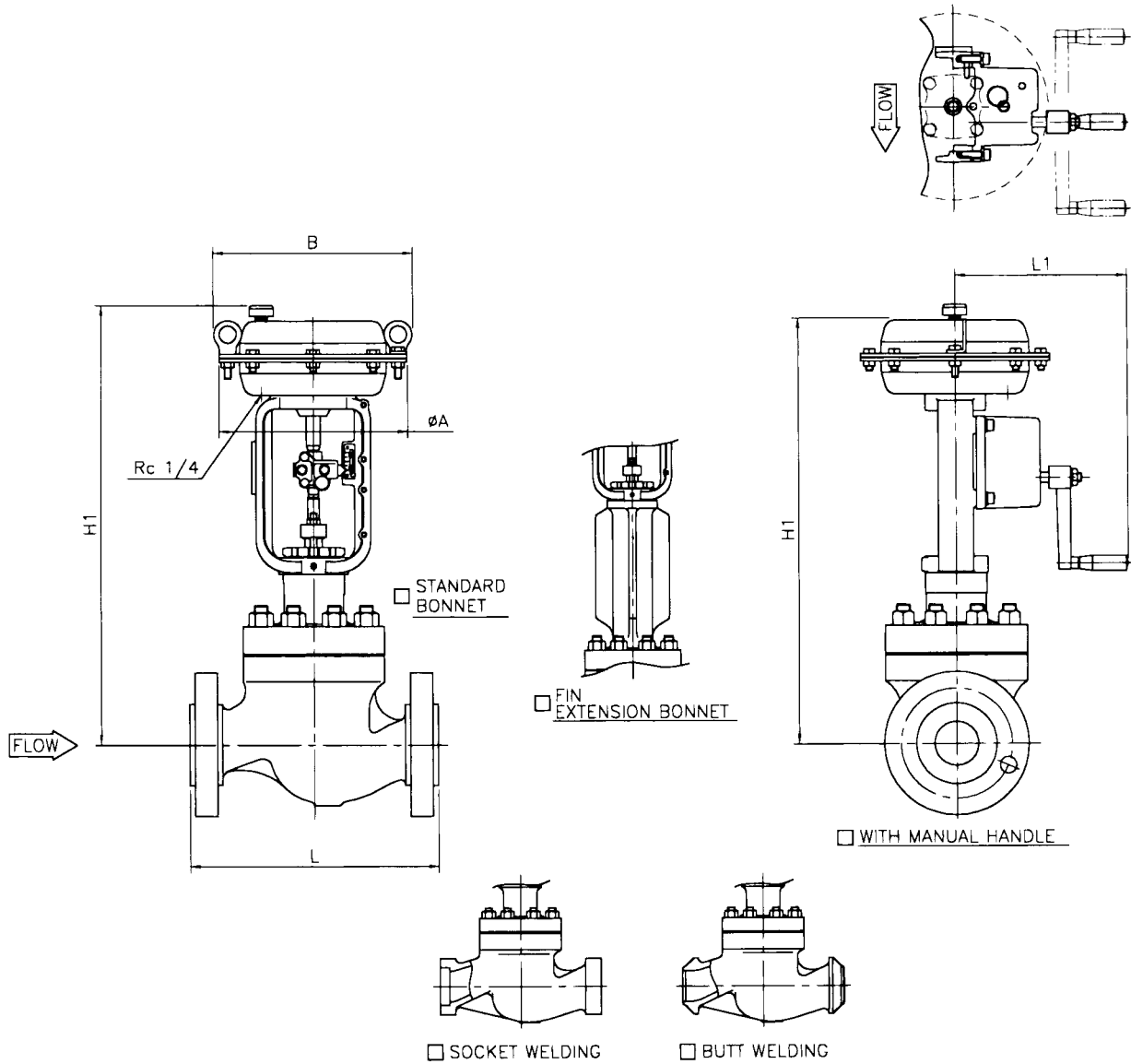
E-501G-5200LA-D-N-S

REV

A

**KOSO**

# GLOBE-VALVE REVERSE ACTION



## DIMENSIONS

UNIT : mm

| VALVE SIZE                                  | FACE TO FACE : L |               |               |                |               |                | ANSI 900#, 1500# BONNET |          | ANSI 2500# BONNET |          | ACTUATOR                     |     |                          |          |
|---|------------------|---------------|---------------|----------------|---------------|----------------|-------------------------|----------|-------------------|----------|------------------------------|-----|--------------------------|----------|
|   | ANSI 900# RF     | ANSI 900# RTJ | ANSI 1500# RF | ANSI 1500# RTJ | ANSI 2500# RF | ANSI 2500# RTJ | STD.                    | FIN EXT. | STD.              | FIN EXT. | SIZE<br>A                    | B   | WITH MANUAL HANDLE<br>L1 | CODE No. |
|   | ANSI 900# SW     | ANSI 1500# SW | ANSI 1500# BW | ANSI 2500# SW  | ANSI 2500# BW | H1             | H1                      | H1       | H1                |          |                              |     |                          |          |
| 93 <input type="checkbox"/> 1.5" (40A)      | 333              | 333           | 333           | 333            | 358           | 361            | 735                     | 885      | 785               | 935      | <input type="checkbox"/> 350 | 367 | 230                      | 5235LA   |
|   |                  |               |               |                |               |                | 800                     | 950      | 850               | 1000     | <input type="checkbox"/> 450 | 472 | 336                      | 524SLA   |
| 2 <input type="checkbox"/> 2" (50A)         | 375              | 378           | 375           | 378            | 437           | 440            | 750                     | 910      | 815               | 965      | <input type="checkbox"/> 350 | 367 | 230                      | 5235LA   |
|   |                  |               |               |                |               |                | 815                     | 965      | 890               | 1030     | <input type="checkbox"/> 450 | 472 | 336                      | 524SLA   |
| 3 <input type="checkbox"/> 3" (80A)         | 440              | 443           | 460           | 463            | 498           | 505            | 820                     | 970      | 875               | 1025     | <input type="checkbox"/> 350 | 367 | 230                      | 5235LA   |
|   |                  |               |               |                |               |                | 885                     | 1035     | 940               | 1090     | <input type="checkbox"/> 450 | 472 | 336                      | 524SLA   |
| 4 <input type="checkbox"/> 4x2" (100x50A)   | 510              | 513           | 530           | 533            | 566           | 575            | 955                     | 1105     | 1015              | 1165     | <input type="checkbox"/> 450 | 472 | 336                      | 524SLA   |
| 4 <input type="checkbox"/> 4x2.5" (100x65A) | 510              | 513           | 530           | 533            | —             | —              | 955                     | 1105     | —                 | —        | <input type="checkbox"/> 450 | 472 | 336                      | 524SLA   |

\*FLANGE IS FOLLOWING TO A STANDARD WHICH IS DESCRIBED ON SPECIFICATION SHEET.

NOTE:

DRAWING No.

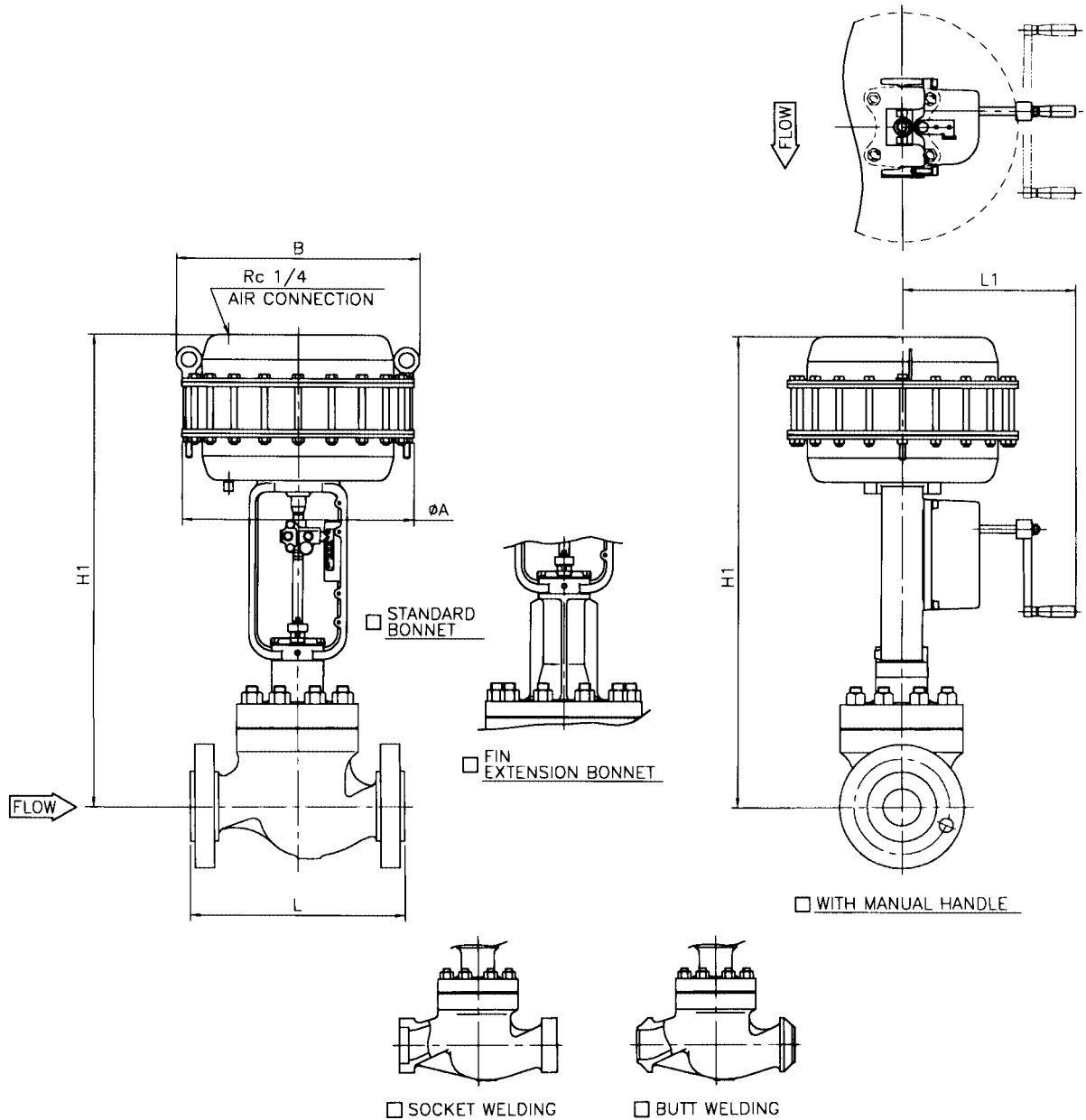
E-501G-5200LA-R-N-S

REV

A

**KOSO**

# GLOBE-VALVE DIRECT ACTION



## DIMENSIONS

UNIT : mm

| VALVE SIZE                                  | FACE TO FACE : L |               |               |                |               |                | ANSI 900#,1500# |          | ANSI 2500# |          | ACTUATOR                     |                    |          |        |
|---|------------------|---------------|---------------|----------------|---------------|----------------|-----------------|----------|------------|----------|------------------------------|--------------------|----------|--------|
|   | ANSI 900# RF     | ANSI 900# RTJ | ANSI 1500# RF | ANSI 1500# RTJ | ANSI 2500# RF | ANSI 2500# RTJ | BONNET          |          | BONNET     |          | SIZE                         | WITH MANUAL HANDLE | CODE No. |        |
|   | ANSI 900# SW     |               | ANSI 1500# SW |                | ANSI 2500# SW |                | STD.            | FIN EXT. | STD.       | FIN EXT. |                              |                    |          |        |
|   | ANSI 900# BW     |               | ANSI 1500# BW |                | ANSI 2500# BW |                | H1              | H1       | H1         | H1       | A                            | B                  | L1       |        |
| 4 <input type="checkbox"/> 4×2.5" (100×65A) | —                | —             | —             | —              | 566           | 575            | —               | —        | 975        | 1125     | <input type="checkbox"/> 450 | 472                | 336      | 524LLA |
| 4 <input type="checkbox"/> 4×3" (100×80A)   | 510              | 513           | 530           | 533            | —             | —              | 915             | 1065     | —          | —        | <input type="checkbox"/> 450 | 472                | 336      | 524LLA |
| 6 <input type="checkbox"/> 6" (150A)        | 715              | 718           | 770           | 776            | 820           | 833            | 1095            | 1245     | 1155       | 1305     | <input type="checkbox"/> 450 | 472                | 336      | 524LLA |
| 8 <input type="checkbox"/> 8" (200A)        | 854              | 857           | 911           | 920            | 1279          | 1295           | 1165            | 1315     | 1245       | 1395     | <input type="checkbox"/> 450 | 472                | 336      | 524LLA |

\*FLANGE IS FOLLOWING TO A STANDARD WHICH IS DESCRIBED ON SPECIFICATION SHEET.

NOTE:

DRAWING No.

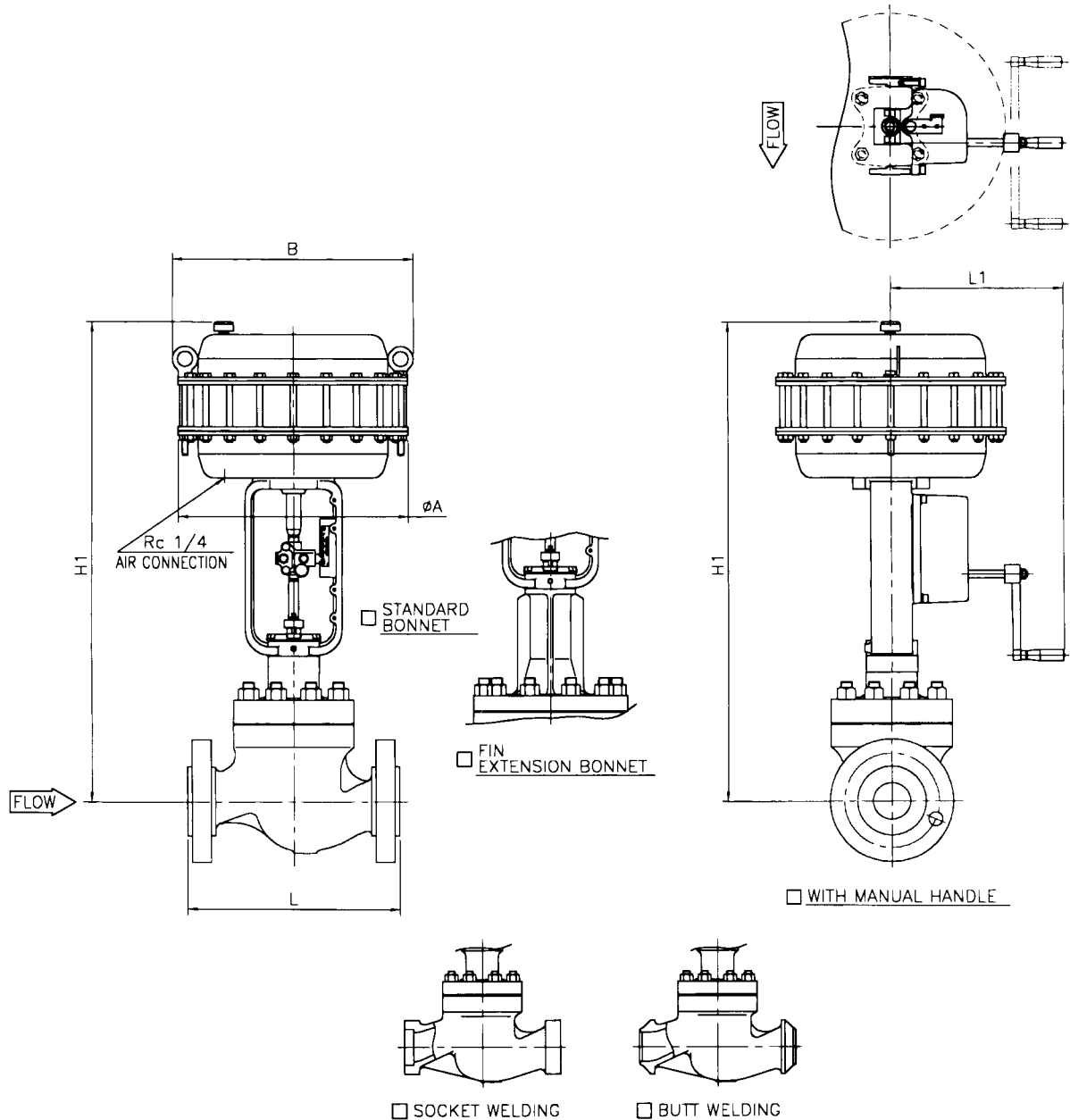
E-501G-524LLA-D-N-S

REV

A

**KOSO**

# GLOBE-VALVE REVERSE ACTION



## DIMENSIONS

UNIT : mm

| VALVE SIZE                                  | FACE TO FACE : L |               |               |                |               |                | ANSI 900#, 1500# |      | ANSI 2500# |      | ACTUATOR                     |                    |          |        |
|---|------------------|---------------|---------------|----------------|---------------|----------------|------------------|------|------------|------|------------------------------|--------------------|----------|--------|
|   | ANSI 900# RF     | ANSI 900# RTJ | ANSI 1500# RF | ANSI 1500# RTJ | ANSI 2500# RF | ANSI 2500# RTJ | BONNET           |      | BONNET     |      | SIZE                         | WITH MANUAL HANDLE | CODE No. |        |
|   | ANSI 900# SW     | ANSI 1500# SW | ANSI 1500# BW | ANSI 2500# SW  | ANSI 2500# BW | STD.           | FIN EXT.         | STD. | FIN EXT.   | A    |                              |                    |          | B      |
| CODE No.                                    |                  |               |               |                |               |                | HI               |      | HI         |      |                              |                    |          |        |
| 4 <input type="checkbox"/> 4×2.5" (100×65A) | —                | —             | —             | —              | 566           | 575            | —                | —    | 1015       | 1165 | <input type="checkbox"/> 450 | 472                | 336      | 524LLA |
| 4 <input type="checkbox"/> 4×3" (100×80A)   | 510              | 513           | 530           | 533            | —             | —              | 955              | 1105 | —          | —    | <input type="checkbox"/> 450 | 472                | 336      | 524LLA |
| 6 <input type="checkbox"/> 6" (150A)        | 715              | 718           | 770           | 776            | 820           | 833            | 1135             | 1285 | 1195       | 1345 | <input type="checkbox"/> 450 | 472                | 336      | 524LLA |
| 8 <input type="checkbox"/> 8" (200A)        | 854              | 857           | 911           | 920            | 1279          | 1295           | 1205             | 1355 | 1285       | 1435 | <input type="checkbox"/> 450 | 472                | 336      | 524LLA |

\*FLANGE IS FOLLOWING TO A STANDARD WHICH IS DESCRIBED ON SPECIFICATION SHEET.

NOTE:

DRAWING No.

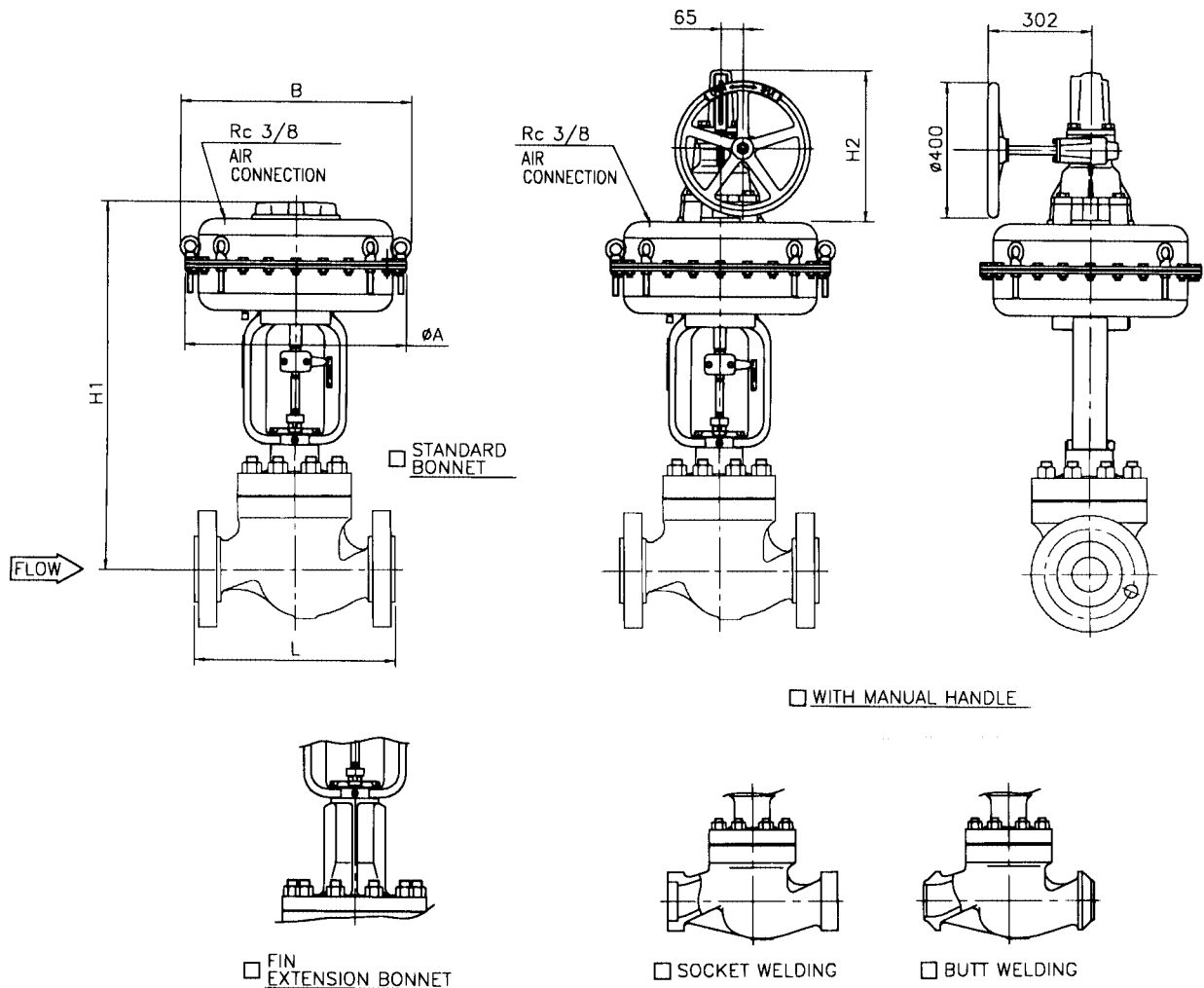
E-501G-524LLA-R-N  
S

REV

A

**KOSO**

# GLOBE-VALVE DIRECT ACTION



## DIMENSIONS

UNIT : mm

| VALVE SIZE                                  | FACE TO FACE : L                      |  |  |   |  |   | ACTUATOR   |                               |  |      | ACTUATOR                     |      |   |          |
|---|---------------------------------------|--|--|---|--|---|--|-------------------------------|--|------|------------------------------|------|---|----------|
|   | <input type="checkbox"/> ANSI 900# RF | <input type="checkbox"/> ANSI 900# RTJ | <input type="checkbox"/> ANSI 1500# RF | <input type="checkbox"/> ANSI 1500# RTJ | <input type="checkbox"/> ANSI 2500# RF | <input type="checkbox"/> ANSI 2500# RTJ | <input type="checkbox"/> ANSI 900#, 1500# BONNET |                               | <input type="checkbox"/> ANSI 2500# BONNET |      | SIZE                         | SIZE | <input type="checkbox"/> WITH MANUAL HANDLE | CODE No. |
|   | <input type="checkbox"/> ANSI 900# SW | <input type="checkbox"/> ANSI 1500# SW | <input type="checkbox"/> ANSI 1500# BW | <input type="checkbox"/> ANSI 2500# SW  | <input type="checkbox"/> ANSI 2500# BW | <input type="checkbox"/> STD.           | <input type="checkbox"/> FIN EXT.                | <input type="checkbox"/> STD. | <input type="checkbox"/> FIN EXT.          | A    |                              |      |   |          |
| 4 <input type="checkbox"/> 4" (100)         | 510                                   | 513                                    | 530                                    | 533                                     | 566                                    | 575                                     | 1000   | 1150                          | 1060                                       | 1210 | <input type="checkbox"/> 650 | 678  | 450   | 526SLA   |
| 6 <input type="checkbox"/> 6×2.5" (150×65A) | —                                     | —                                      | —                                      | —                                       | 820                                    | 833                                     | —  | —                             | 1240                                       | 1390 | <input type="checkbox"/> 650 | 678  | 450   | 526SLA   |
| 6 <input type="checkbox"/> 6×3" (150×80A)   | 715                                   | 718                                    | 770                                    | 776                                     | —                                      | —                                       | 1180   | 1330                          | —  | —    | <input type="checkbox"/> 650 | 678  | 450   | 526SLA   |

\*FLANGE IS FOLLOWING TO A STANDARD WHICH IS DESCRIBED ON SPECIFICATION SHEET.

NOTE:

DRAWING No.

E-501G-526SLA-D-N  
S

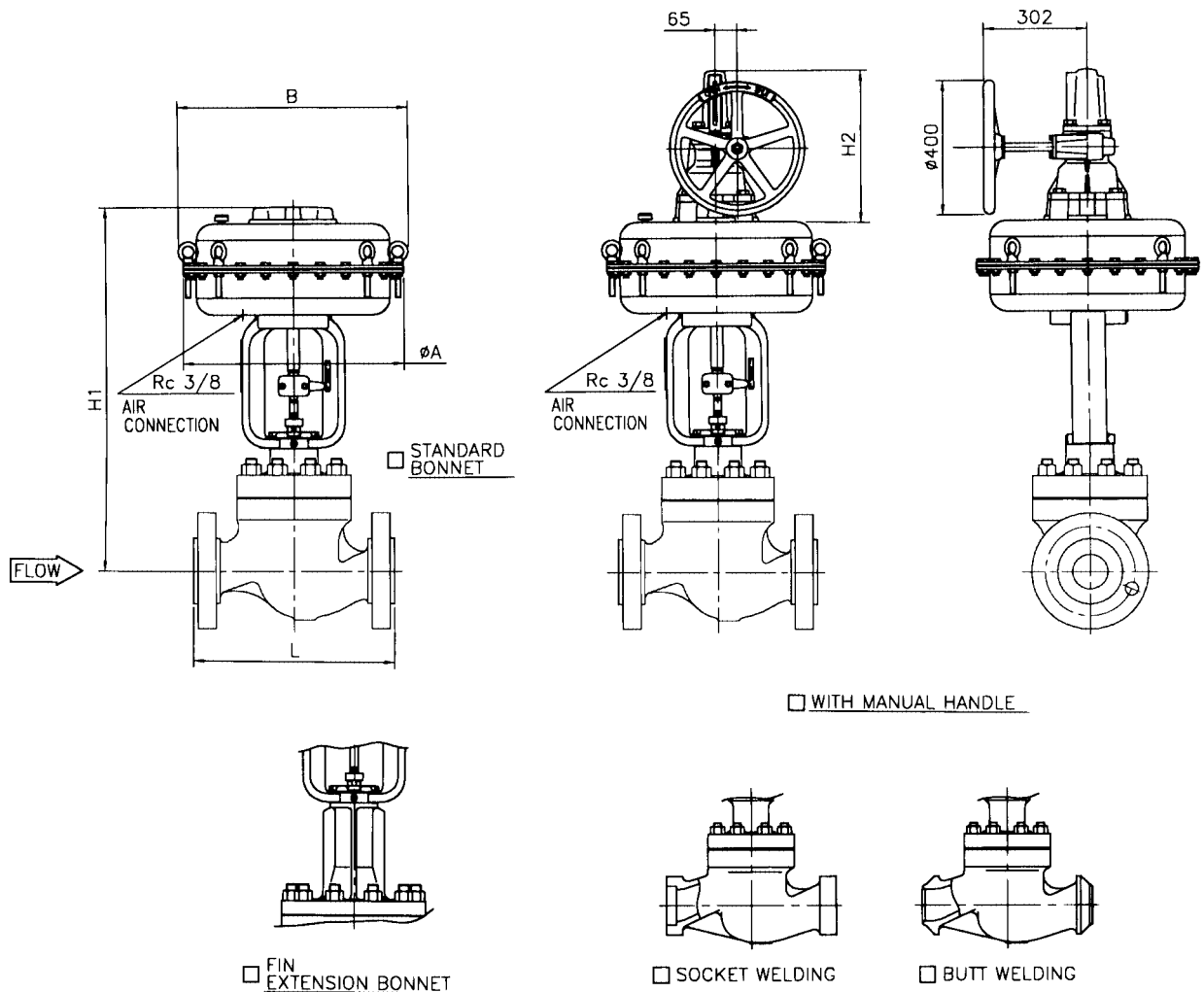
REV

A

**KOSO**



# GLOBE-VALVE REVERSE ACTION



## DIMENSIONS

UNIT : mm

| VALVE SIZE                                  | FACE TO FACE : L                      |  |  |   |  |   | ACTUATOR  |                               |  |      | ACTUATOR                     |                    |          |        |
|---|---------------------------------------|--|--|---|--|---|---|-------------------------------|--|------|------------------------------|--------------------|----------|--------|
|   | <input type="checkbox"/> ANSI 900# RF | <input type="checkbox"/> ANSI 900# RTJ | <input type="checkbox"/> ANSI 1500# RF | <input type="checkbox"/> ANSI 1500# RTJ | <input type="checkbox"/> ANSI 2500# RF | <input type="checkbox"/> ANSI 2500# RTJ | <input type="checkbox"/> ANSI 900#,1500# BONNET |                               | <input type="checkbox"/> ANSI 2500# BONNET |      | SIZE                         | WITH MANUAL HANDLE | CODE No. |        |
|   | <input type="checkbox"/> ANSI 900# SW | <input type="checkbox"/> ANSI 1500# SW | <input type="checkbox"/> ANSI 1500# BW | <input type="checkbox"/> ANSI 2500# SW  | <input type="checkbox"/> ANSI 2500# BW | <input type="checkbox"/> STD.           | <input type="checkbox"/> FIN EXT.               | <input type="checkbox"/> STD. | <input type="checkbox"/> FIN EXT.          | A    |                              |                    |          | B      |
| CODE No.                                    | H1                                    |  | H1                                     |   | H1                                     |   | H1  |                               | H1   |      |                              |                    |          |        |
| 4 <input type="checkbox"/> 4" (100)         | 510                                   | 513                                    | 530                                    | 533                                     | 566                                    | 575                                     | 1000  | 1150                          | 1060                                       | 1210 | <input type="checkbox"/> 650 | 678                | 450      | 526SLA |
| 6 <input type="checkbox"/> 6×2.5" (150×65A) | —                                     | —                                      | —                                      | —                                       | 820                                    | 833                                     | —   | —                             | 1240                                       | 1390 | <input type="checkbox"/> 650 | 678                | 450      | 526SLA |
| 6 <input type="checkbox"/> 6×3" (150×80A)   | 715                                   | 718                                    | 770                                    | 776                                     | —                                      | —                                       | 1180  | 1330                          | —  | —    | <input type="checkbox"/> 650 | 678                | 450      | 526SLA |

\*FLANGE IS FOLLOWING TO A STANDARD WHICH IS DESCRIBED ON SPECIFICATION SHEET.

NOTE:

DRAWING No.

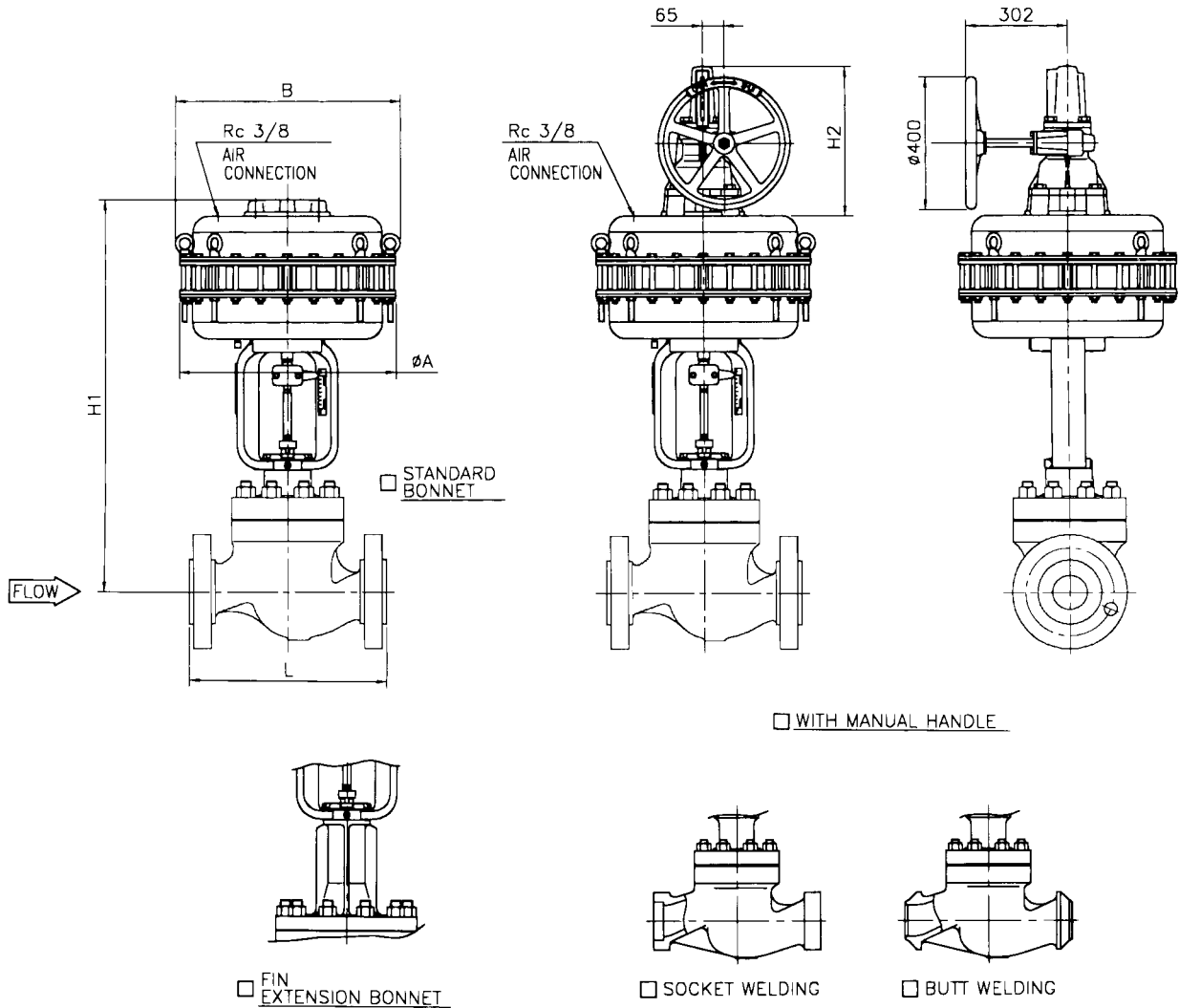
E-501G-526SLA-R-N  
S

REV

A

**KOSO**

# GLOBE-VALVE DIRECT ACTION



## DIMENSIONS

UNIT : mm

| VALVE SIZE<br>CODE No.                        | FACE TO FACE : L |               |               |                |               |                | ANSI 900#, 1500# BONNET |          | ANSI 2500# BONNET |          | ACTUATOR                     |           |                          |          |
|---|------------------|---------------|---------------|----------------|---------------|----------------|-------------------------|----------|-------------------|----------|------------------------------|-----------|--------------------------|----------|
|   | ANSI 900# RF     | ANSI 900# RTJ | ANSI 1500# RF | ANSI 1500# RTJ | ANSI 2500# RF | ANSI 2500# RTJ | STD.                    | FIN EXT. | STD.              | FIN EXT. | SIZE<br>A                    | SIZE<br>B | WITH MANUAL HANDLE<br>H2 | CODE No. |
|   | ANSI 900# SW     | ANSI 1500# SW | ANSI 2500# SW | ANSI 2500# BW  | STD.          | FIN EXT.       | STD.                    | FIN EXT. |                   |          |                              |           |                          |          |
|   | ANSI 900# BW     | ANSI 1500# BW | ANSI 2500# BW |                | H1            | H1             |                         |          |                   |          |                              |           |                          |          |
| 6 <input type="checkbox"/> 6×4"<br>(150×100A) | 715              | 718           | 770           | 776            | 820           | 833            | 1280                    | 1430     | 1340              | 1490     | <input type="checkbox"/> 650 | 678       | 450                      | 526LLA   |
| 6 <input type="checkbox"/> 6×5"<br>(150×125A) | 715              | 718           | 770           | 776            | —             | —              | 1280                    | 1430     | —                 | —        | <input type="checkbox"/> 650 | 678       | 450                      | 526LLA   |
| 8 <input type="checkbox"/> 8"<br>(200A)       | 854              | 857           | 911           | 920            | 1279          | 1295           | 1350                    | 1500     | 1430              | 1580     | <input type="checkbox"/> 650 | 678       | 450                      | 526LLA   |
| 10 <input type="checkbox"/> 10"<br>(250A)     | 1251             | 1254          | 1327          | 1336           | —             | —              | 1440                    | 1590     | —                 | —        | <input type="checkbox"/> 650 | 678       | 450                      | 526LLA   |
| 12 <input type="checkbox"/> 12"<br>(300A)     | 1311             | 1314          | 1400          | 1416           | —             | —              | 1540                    | 1690     | —                 | —        | <input type="checkbox"/> 650 | 678       | 450                      | 526LLA   |

\*FLANGE IS FOLLOWING TO A STANDARD WHICH IS DESCRIBED ON SPECIFICATION SHEET.

NOTE:

DRAWING No.

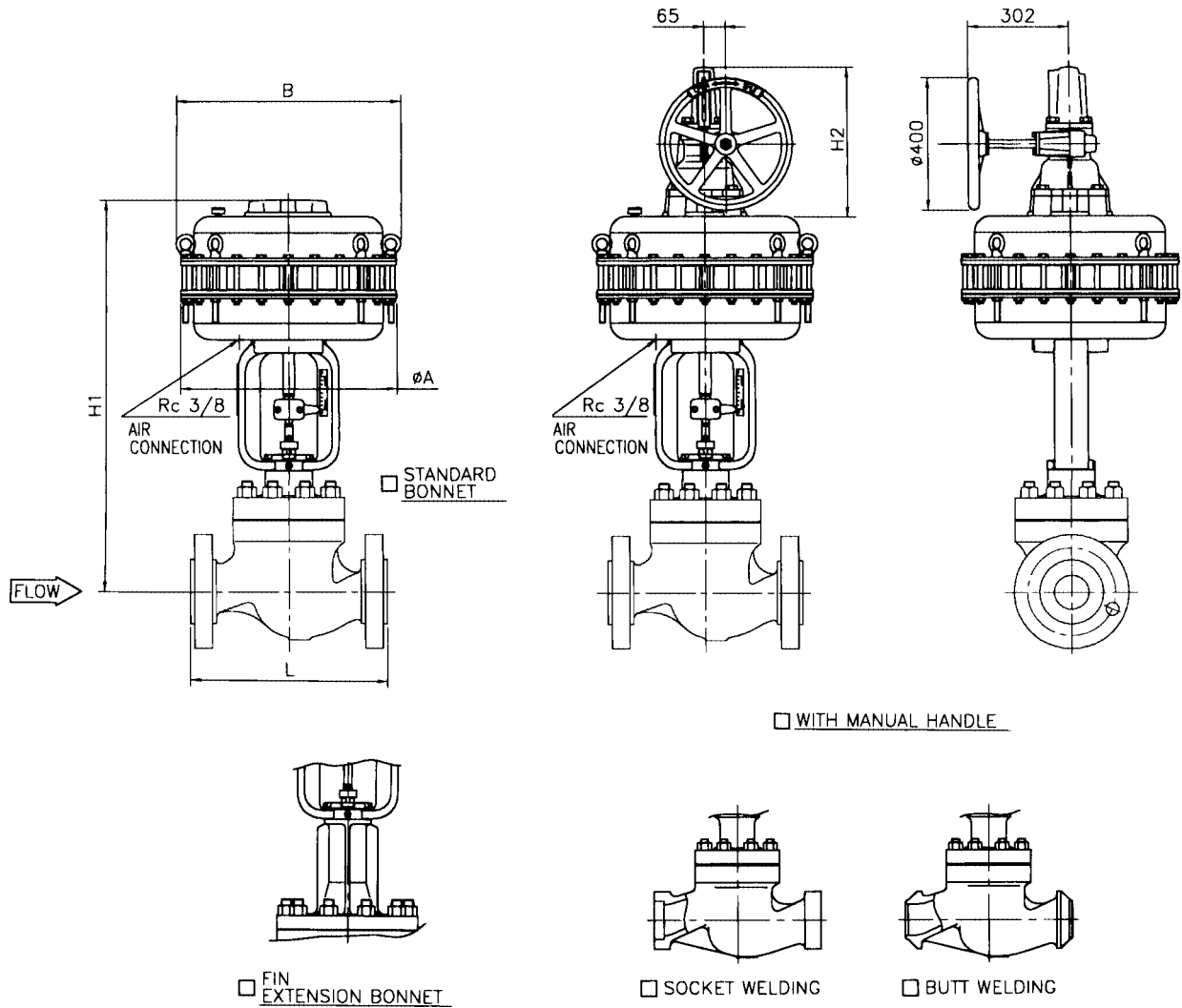
E-501G-526LLA-D-N-S

REV

A

**KOSO**

# GLOBE-VALVE REVERSE ACTION



## DIMENSIONS

UNIT : mm

| VALVE SIZE                                 | FACE TO FACE : L |               |               |                |               |                | ANSI 900#, 1500# BONNET |          | ANSI 2500# BONNET |          | ACTUATOR |        |                       |          |
|--|------------------|---------------|---------------|----------------|---------------|----------------|-------------------------|----------|-------------------|----------|----------|--------|-----------------------|----------|
|  | ANSI 900# RF     | ANSI 900# RTJ | ANSI 1500# RF | ANSI 1500# RTJ | ANSI 2500# RF | ANSI 2500# RTJ | STD.                    | FIN EXT. | STD.              | FIN EXT. | SIZE A   | SIZE B | WITH MANUAL HANDLE H2 | CODE No. |
| 6 <input type="checkbox"/> 6×4" (150×100A) | 715              | 718           | 770           | 776            | 820           | 833            | 1280                    | 1430     | 1340              | 1490     | 650      | 678    | 450                   | 526LLA   |
| 6 <input type="checkbox"/> 6×5" (150×125A) | 715              | 718           | 770           | 776            | ---           | ---            | 1280                    | 1430     | ---               | ---      | 650      | 678    | 450                   | 526LLA   |
| 8 <input type="checkbox"/> 8" (200A)       | 854              | 857           | 911           | 920            | 1279          | 1295           | 1350                    | 1500     | 1430              | 1580     | 650      | 678    | 450                   | 526LLA   |
| 10 <input type="checkbox"/> 10" (250A)     | 1251             | 1254          | 1327          | 1336           | ---           | ---            | 1440                    | 1590     | ---               | ---      | 650      | 678    | 450                   | 526LLA   |
| 12 <input type="checkbox"/> 12" (300A)     | 1311             | 1314          | 1400          | 1416           | ---           | ---            | 1540                    | 1690     | ---               | ---      | 650      | 678    | 450                   | 526LLA   |

\*FLANGE IS FOLLOWING TO A STANDARD WHICH IS DESCRIBED ON SPECIFICATION SHEET.

NOTE:

DRAWING No.

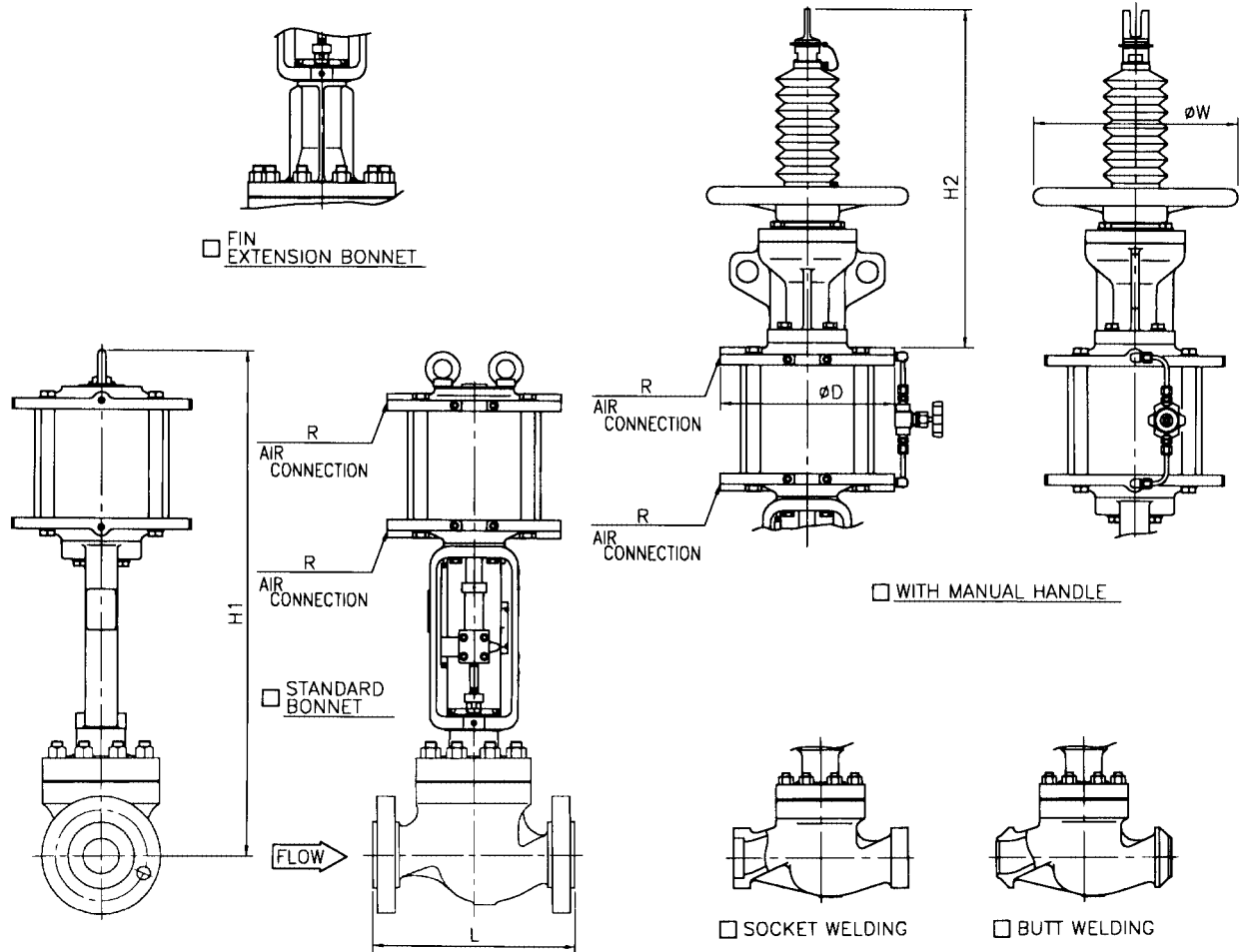
E-501G-526LLA-R-N-S

REV

A

**KOSO**

# GLOBE-VALVE *Double acting cylinder*



## DIMENSIONS

UNIT : mm

| VALVE SIZE                             | FACE TO FACE : L |               |               |                |               |                | ANSI 900#,1500# |          | ANSI 2500# |          | ACTUATOR                     |       |                    |     |          |
|--|------------------|---------------|---------------|----------------|---------------|----------------|-----------------|----------|------------|----------|------------------------------|-------|--------------------|-----|----------|
|  | ANSI 900# RF     | ANSI 900# RTJ | ANSI 1500# RF | ANSI 1500# RTJ | ANSI 2500# RF | ANSI 2500# RTJ | BONNET          |          | BONNET     |          | Cylinder SIZE                | R     | WITH MANUAL HANDLE |     | CODE No. |
|  | ANSI 900# SW     | ANSI 1500# SW | ANSI 2500# SW | ANSI 900# BW   | ANSI 1500# BW | ANSI 2500# BW  | STD.            | FIN EXT. | STD.       | FIN EXT. |                              |       | H2                 | ΦW  |          |
| CODE No.                               | H1               | H1            | H1            | H1             | H1            | H1             | H1              | H1       | H1         | H1       | H1                           | H1    | H1                 | H1  | H1       |
| 93 <input type="checkbox"/> 1.5" (40A) | 333              | 333           | 333           | 333            | 358           | 361            | 1025            | 1175     | 1075       | 1225     | <input type="checkbox"/> 200 | Rc3/8 | 465                | 320 | 6320LA   |
| 2 <input type="checkbox"/> 2" (50A)    | 375              | 378           | 375           | 378            | 437           | 440            | 1040            | 1190     | 1105       | 1255     | <input type="checkbox"/> 200 | Rc3/8 | 465                | 320 | 6320LA   |
| 3 <input type="checkbox"/> 3" (80A)    | 440              | 443           | 460           | 463            | 498           | 505            | 1110            | 1260     | 1165       | 1315     | <input type="checkbox"/> 200 | Rc3/8 | 465                | 320 | 6320LA   |

\*FLANGE IS FOLLOWING TO A STANDARD WHICH IS DESCRIBED ON SPECIFICATION SHEET.

NOTE:

DRAWING No.

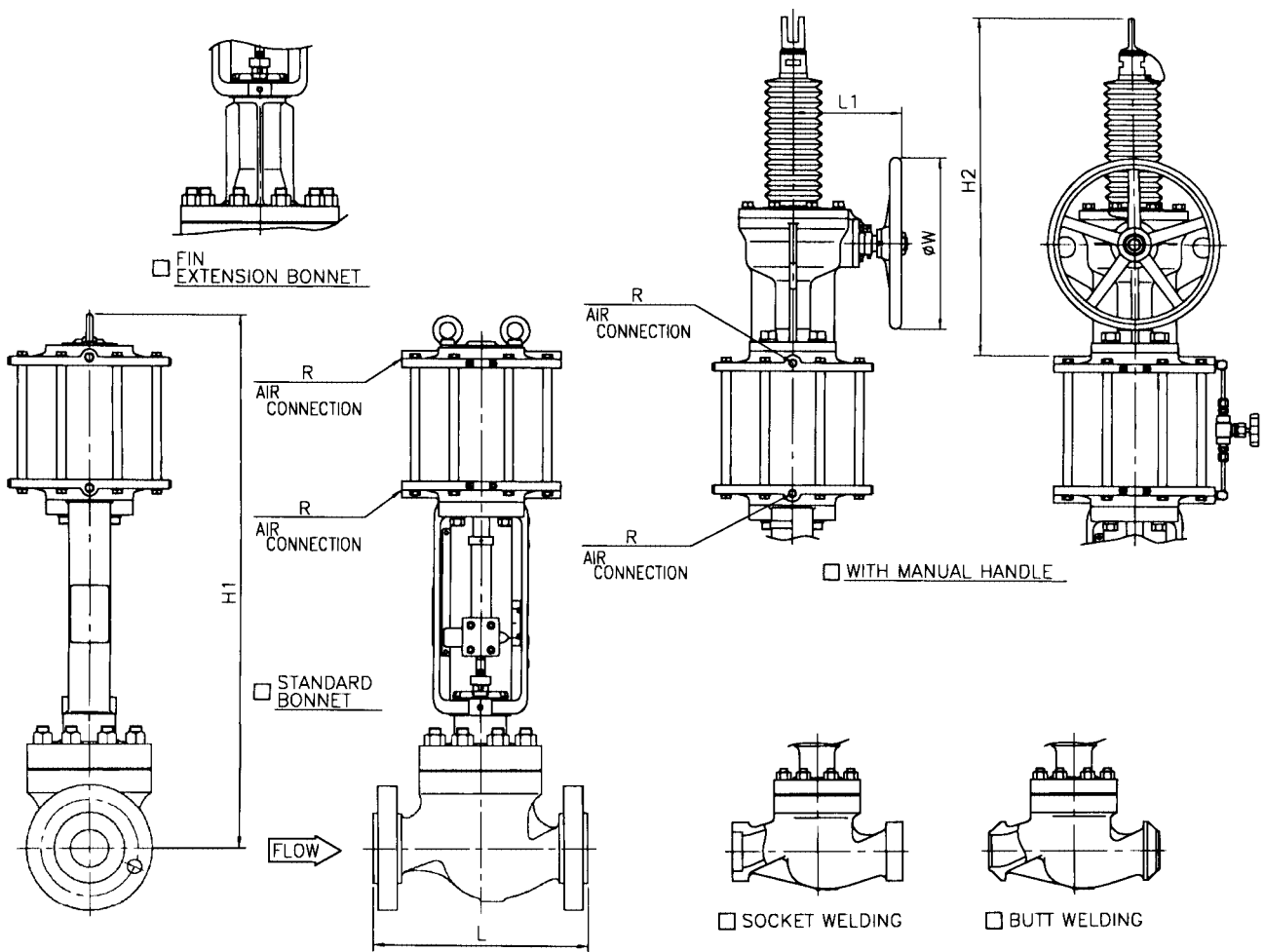
E-501G-6320LA-W-N  
T

REV

A

**KOSO**

# GLOBE-VALVE *Double acting cylinder*



## DIMENSIONS

UNIT : mm

| VALVE SIZE | FACE TO FACE : L |               |               |                |               |                | ANSI 900#, 1500# |          |        |          | ANSI 2500#    |      |                    |     | ACTUATOR |          |        |  |  |
|------------|------------------|---------------|---------------|----------------|---------------|----------------|------------------|----------|--------|----------|---------------|------|--------------------|-----|----------|----------|--------|--|--|
|            | ANSI 900# RF     | ANSI 900# RTJ | ANSI 1500# RF | ANSI 1500# RTJ | ANSI 2500# RF | ANSI 2500# RTJ | BONNET           |          | BONNET |          | Cylinder SIZE | R    | WITH MANUAL HANDLE |     |          | CODE No. |        |  |  |
|            | ANSI 900# SW     | ANSI 900# BW  | ANSI 1500# SW | ANSI 1500# BW  | ANSI 2500# SW | ANSI 2500# BW  | STD.             | FIN EXT. | STD.   | FIN EXT. |               |      | H2                 | L1  | ΦW       |          |        |  |  |
| 93         | 1.5" (40A)       | 333           | 333           | 333            | 333           | 358            | 361              | 1085     | 1235   | 1135     | 1285          | □300 | Rc1/2              | 615 | 260      | 400      | 6330LA |  |  |
| 2          | 2" (50A)         | 375           | 378           | 375            | 378           | 437            | 440              | 1100     | 1250   | 1165     | 1315          | □300 | Rc1/2              | 615 | 260      | 400      | 6330LA |  |  |
| 3          | 3" (80A)         | 440           | 443           | 460            | 463           | 498            | 505              | 1170     | 1320   | 1225     | 1375          | □300 | Rc1/2              | 615 | 260      | 400      | 6330LA |  |  |
| 4          | 4" (100A)        | 510           | 513           | 530            | 533           | 566            | 575              | 1240     | 1390   | 1300     | 1450          | □300 | Rc1/2              | 615 | 260      | 400      | 6330LA |  |  |
|            |                  |               |               |                |               |                |                  | 1420     | 1570   | 1480     | 1630          | □450 | Rc1/2              | 765 | 330      | 500      | 6345LA |  |  |
| 6          | 6" (150A)        | 715           | 718           | 770            | 776           | 820            | 833              | 1460     | 1610   | 1520     | 1670          | □450 | Rc1/2              | 765 | 330      | 500      | 6345LA |  |  |
|            |                  |               |               |                |               |                |                  | 1775     | 1925   | 1650     | 1800          | □600 | Rc3/4              | 870 | 445      | 630      | 6360LA |  |  |
| 8          | 8" (200A)        | 854           | 857           | 911            | 920           | 1279           | 1295             | 1510     | 1660   | 1590     | 1740          | □450 | Rc1/2              | 765 | 330      | 500      | 6345LA |  |  |
|            |                  |               |               |                |               |                |                  | 1640     | 1790   | 1720     | 1870          | □600 | Rc3/4              | 870 | 445      | 630      | 6360LA |  |  |
| 10         | 10" (250A)       | 1251          | 1254          | 1327           | 1336          | —              | —                | 1570     | 1720   | —        | —             | □450 | Rc1/2              | 765 | 330      | 500      | 6345LA |  |  |
|            |                  |               |               |                |               |                |                  | 1700     | 1850   | —        | —             | □600 | Rc3/4              | 870 | 445      | 630      | 6360LA |  |  |
| 12         | 12" (300A)       | 1311          | 1314          | 1400           | 1416          | —              | —                | 1670     | 1820   | —        | —             | □450 | Rc1/2              | 765 | 330      | 500      | 6345LA |  |  |
|            |                  |               |               |                |               |                |                  | 1800     | 1950   | —        | —             | □600 | Rc3/4              | 870 | 445      | 630      | 6360LA |  |  |

\*FLANGE IS FOLLOWING TO A STANDARD WHICH IS DESCRIBED ON SPECIFICATION SHEET.

NOTE:

DRAWING No.

E-501G-6300LA-W-N  
H

REV

A

**KOSO**