

501T 高压顶部导向型单座调节阀 High-Pressure Top Guided Single Seated Globe Valves

概 要

该系列为高压顶部导向型单座调节阀，与 501G 系列相比，由于采用不平衡型阀芯，需要较大的执行机构输出力。但是，与精小型设计的多弹簧薄膜式执行机构或气缸式执行机构组合后，外形大为缩小。由于没有采用流体压力平衡型结构，该系列调节阀特别适用于料浆、聚合物、结晶体及高温流体。

GENERAL

This series is High-Pressure top guided single seated globe valves. Compared with 501G series valves, It needs more output actuator for adopting unbalance plug. But, Assembling with Multi-spring pneumatic actuators or cylinder actuators its size decrease a lot. With unbalance plug type trims, These valves is especially suited for oar, polymer, slurry materials or high temperature fluids.

标准规格 STANDARD SPECIFICATIONS

本体部 BODY

| | |
|----------------------------------------------|------------------------------------------------------------------------------------------------------------------------------------------------------------------------------------------------------------------------------------------------------------------|
| 形 式 Type | 不平衡阀芯型 Unbalance plug type |
| 公称通径 Body size | 0.75"~4" (20A~100A 即 DN20~DN100) |
| 阀芯形状 Plug form | P 孔单座 P-port single seated |
| 流量特性 Characteristics | 线性、等百分比 Linear, Equal percentage |
| 阀内件材质 Trim materials 阀内件处理 Trim treatment | 标准材质组合及使用温度，请参见表 1。 See Tables 1 for hardening treatment and operating temperature. |
| 公称压力 Body ratings | ANSI Class 900、1500、2500 |
| 连接方式 Body connections | 法兰型 (RF、RTJ)，焊接型 (BW、SW) Flanged (RF、RTJ)，Weld ends (BW、SW) |
| 法 兰 距 Face to Face dimension | 请参见第 13~18 页。 See pages 13~18. |
| 阀 体 及 上阀盖材质 Body & Bonnet Material | SCPH2/WCB, SCPH21/WC6, SCPH32/WC9, SCPL1/LCB, SCS13A/CF8, SCS14A/CF8M 各种材质的使用温度·压力范围，请参见表 1，表 2。 As to the operating pressure-temperature limitation for each material, see Tables 1 and 2. |
| 上阀盖形式 Bonnet type | 标准型 Standard type : -5~+230℃ 散热片型 Fin-Extension type : -45~-5℃或者超过 230℃ 的情况 -45~under -5℃ or over +230℃ 加长型 Long-Extension type : -196~-45℃ 但必须注意各材质的使用温度·压力范围。 Note : The allowable operating pressure-temperature limitation for each material. |
| 填 料 Packing | 聚四氟乙烯碳纤维、柔性石墨。 各种填料的使用温度·压力范围，请参见图 1。 Teflon fiber, Grafoil, See Fig. 1 for selection. |
| 垫 圈 Gasket | 缠绕式垫圈 (聚四氟乙烯 / SUS316、柔性石墨 / SUS316) 各种垫圈的使用温度·压力范围，请参见图 2。 Spiral wound metal, with Grafoil or Teflon filler. See Fig. 2 for selection. |
| 表面涂层色 Painting color | 银灰色 (环氧树脂)。但是阀体材质为不锈钢时，本体部不加涂层。 Munsell N-6 (Epoxy resin group) is standard. In the case of stainless steel body, no painting is standard. |

执行机构 ACTUATOR

| | | | | |
|------------------------------------------------|------------------------------------------------------------------------------------------------------------------------------|--------------------------------------------------------------------------------------------------------|--------------------------------------------------------------------------|----------------------------|
| 规格 Specification | 型号 Type | 气动薄膜式 Diaphragm type | 气缸式 Pneumatic Cylinder type | |
| | | 5200LA | 6300LA | |
| | | 多弹簧型 Multi-spring type | 单动作型 Spring return type | 双动作型 Double acting type |
| 用途 Purpose | 调节 Modulation | 调节、开关 Modulation or On-off | | |
| 供气压力 (弹簧范围) Air supply (Spring range) | 140 (20~100) KPa G 300 (80~200) KPa G | 500 (125~375) Kpa G | 300~500 KPa G | |
| 接口 Connection | Rc1/4, Rc3/8 (Φ650) | Rc3/8(气缸尺寸 Cylinder size : 200), Rc1/2(300, 450), Rc3/4(600) | | |
| 正作用 Direct action | 气压增加关闭 Air to valve shut | 气压增加关闭 Air to valve shut | 随输入定位器信号增加 阀开或关闭。 Valve open or shut by air or electric signal. | |
| 反作用 Reverse action | 气压增加阀开 Air to valve open | 气压增加阀开 Air to valve open | | |
| 滞后 Hysteresis | ≤1% FS (带定位器) ≤1% of FS with positioner | ≤1.5% FS (带定位器) ≤1.5% of FS with positioner | ≤1% FS (带定位器) ≤1% of FS with positioner | |
| 直线性 Linearity | ≤±2% FS (带定位器) ≤±2% of FS with positioner | ≤±2% FS (带定位器) ≤±2% of FS with positioner | ≤±2% FS (带定位器) ≤±2% of FS with positioner | |
| 允许环境温度 Ambient Temp. | 标准型 ……-10~+70℃ 高温型 …… 0~+100℃ 低温型 ……-40~+40℃ | 标准型 Standard type …… -20~+60℃ 高温型 High Temp.service …… 0~+100℃ 低温型 Low Temp. service …… -50~+60℃ | | |
| 标准涂层色 Painting | 银色环氧树脂 Munsell : N-6 | 银色环氧树脂 Munsell : N-6 | | |
| 选购设备 Option | E/P • P/P-Positioner, Air-set, Solenoid valve, Limit switch, Speed controller, Lock valve, Lock-up valve, Manual handle, etc | | | |

性能 PERFORMANCE

| | |
|----------------------------------|-------------------------------------------------------|
| 额定 Cv 值 Rated Cv | 请参见表 3。 See Table 3. |
| 流量特性 Flow characteristics | 线性、等百分比 Linear, Equal percentage |
| 可调比 R Rangeability | 50 : 1 |
| 阀座泄漏量 Seat Leakage | 请参见表 1。 See Table 1. (可选用 Option : ANSI CLASS V) |
| 允许压差 Allowable pressure drops | 请参见表 4。 See Table 4. |

特殊规格 (有償) OPTIONAL SPECIAL SPECIFICATIONS (additional cost is required)

| | |
|-------------------------------------------------------------|---------------------------------------------------------------------------------------------------------------------------------------------------------------------------------------------------------------------------------------------------------------------------------------------------|
| 本体部特殊检查 Special testing for Body | 材料检查、液体渗透探伤检查 (PT)、放射线检查 (RT)、流量特性检查、低温试验、蒸气试验 Material certificate, Liquid penetrant testing, Radiographic testing, Flow characteristic testing, Low temperature testing, Steam testing. |
| 本体部特殊清洗 Special cleaning for Body | 完全禁油、除水处理 Oxygen clean, Oil-free, Water-free |
| 本体部及执行机构特殊规格 Special specification for Body and Actuator | 防砂、防尘型、防盐腐蚀型、寒冷地区用、热带地区用、无铜处理、特殊空气配管及特殊气接头、真空工作条件用、接触大气部分的螺栓、螺母采用不锈钢、指定涂层色 Sand and Dust proof, Salty environment proof, Cold area proof, Tropical area proof, Copper-free alloy, Special piping and fitting, Vacuum service proof, SUS bolt and nut for exposed parts, Non-standard painting. |
| 认证 Authorization | 获得高压气体认定法的认定 Japanese government authorization for high pressure gas. |

表 1 阀体、阀内件材质组合及使用温度范围·阀座允许泄漏量

Table 1 BODY/TRIM STANDARD MATERIAL COMBINATION, OPERATING TEMPERATURE AND SEAT LEAKAGE.

- ① 当阀座泄漏率要达到 ANSI CLASS V 时, 请与 KOSO 确认。
- ② 如可能发生空化气蚀, 请研究选用防空化气蚀的调节阀。
- ③ 如可能发生闪蒸, 请选用缩腔型, 阀芯及阀座表面全部堆焊司太莱合金。
- ① When ANSI CLASS V for seat leakage is required, please consult with us.
- ② In the case of cavitation service, we recommend our anti-cavitation control valves.
- ③ In the case of flashing service, we recommend reduced bore and stellite full surface of plug and seat ring.
- HT : 热处理 Heat treatment ● SS : 部分堆焊司太莱合金 Stellite seat surface
- PS : 堆焊司太莱合金 Partial stellite ● SF : 全部堆焊司太莱合金 Stellite full surface

表 1-1 阀体材质: 碳钢

Table 1-1 BODY MATERIAL : CARBON STEEL

| 阀体材质 | Body material | SCPH2/A216-WCB, SCPH21/A217-WC6, SCPH32/A217-WC9, SCPL1/A352-LCB | | |
|----------------------------------|-----------------|------------------------------------------------------------------|-----------|-----------|
| 阀芯 Plug | 材质 Material | SUS440C | SUS316 | SUS316 |
| | 处理 Treatment | HT | SS | SF |
| 阀座 Seat ring | 材质 Material | SUS440C | SUS316 | SUS316 |
| | 处理 Treatment | HT | SS | SF |
| 导向套 Guide | 材质 Material | SUS440B | SUS440B | A182-F11 |
| | 处理 Treatment | HT | HT | PS |
| 垫圈 Gasket | 材质 Material | T/#1806GR | T/#1806GR | T/#1806GR |
| 阀座允许泄漏量 Seat Leakage | ANSI | Class IV | Class IV | Class IV |
| | Rated Cv× | 0.01% | 0.01% | 0.01% |
| 使用温度 Operating temperature °C | SCPH2/WCB body | -5~+425 | -5~+425 | -5~+475 |
| | SCPH21/WC6 body | -5~+425 | -5~+425 | -5~+565 |
| | SCPH61/C5 body | -5~+425 | -5~+425 | -5~+565 |
| | SCPL1/LCB body | -45~+350 | -45~+350 | -45~+350 |

表 1-2 阀体材质: 不锈钢

Table 1-2 BODY MATERIAL : STAINLESS STEEL

| 阀体材质 | Body material | SCS13A/A351-CF8, SCS14A/A351-CF8M | | |
|----------------------------|---------------|-----------------------------------|-----------|-----------|
| 阀芯 Plug | 材质 Material | SUS316 | SUS316 | SUS316 |
| | 处理 Treatment | SS | SS | SF |
| 阀座 Seat ring | 材质 Material | SUS316 | SUS316 | SUS316 |
| | 处理 Treatment | SS | SS | SF |
| 导向套 Guide | 材质 Material | SUS316 | SUS316 | SUS316 |
| | 处理 Treatment | PS | PS | PS |
| 垫圈 Gasket | 材质 Material | T/#9090 | T/#1806GR | T/#1806GR |
| 阀座允许泄漏量 Seat Leakage | ANSI | Class IV | Class IV | Class IV |
| | Rated Cv× | 0.01% | 0.01% | 0.01% |
| 使用温度 Operating Temp. °C | | -196~+230 | -196~+550 | -196~+550 |

表 2 阀体材质的使用温度·压力范围

Table 2 BODY MATERIAL/OPERATING PRESSURE-TEMPERATURE RATINGS

UNIT : MPa G

| 温 度 Temp. ℃ | ANSI Class 900 | | | | | | ANSI Class 1500 | | | | | | ANSI Class 2500 | | | | | |
|-------------------|----------------|-------------|------------|------------|-------------|--------------|-----------------|-------------|------------|------------|-------------|--------------|-----------------|-------------|------------|------------|-------------|--------------|
| | SCPL1 | SCPH2 | SCPH21 | SCPH32 | SCS13A | SCS14A | SCPL1 | SCPH2 | SCPH21 | SCPH32 | SCS13A | SCS14A | SCPL1 | SCPH2 | SCPH21 | SCPH32 | SCS13A | SCS14A |
| | LCB | A105 WCB | F11 WC6 | F22 WC9 | F304 CF8 | F316 CF8M | LCB | A105 WCB | F11 WC6 | F22 WC9 | F304 CF8 | F316 CF8M | LCB | A105 WCB | F11 WC6 | F22 WC9 | F304 CF8 | F316 CF8M |
| -196~38 | — | — | — | — | 14.88 | 14.88 | — | — | — | — | 24.79 | 24.79 | — | — | — | — | 41.33 | 41.34 |
| -45~38 | 14.35 | — | — | — | 14.88 | 14.88 | 23.92 | — | — | — | 24.79 | 24.79 | 39.87 | — | — | — | 41.33 | 41.34 |
| -5~38 | 14.35 | 15.31 | 15.50 | 15.50 | 14.88 | 14.88 | 23.92 | 25.51 | 25.84 | 25.84 | 24.79 | 24.79 | 39.87 | 42.52 | 43.07 | 43.07 | 41.33 | 41.34 |
| 50 | 14.18 | 15.01 | 15.33 | 15.35 | 14.34 | 14.43 | 23.64 | 25.02 | 25.55 | 25.58 | 23.90 | 24.04 | 39.40 | 41.70 | 42.59 | 42.64 | 39.84 | 40.07 |
| 100 | 13.52 | 13.90 | 14.62 | 14.70 | 12.25 | 12.65 | 22.53 | 23.16 | 24.36 | 24.50 | 20.42 | 21.09 | 37.56 | 38.62 | 40.61 | 40.85 | 34.01 | 35.14 |
| 150 | 13.18 | 13.56 | 13.90 | 13.98 | 10.89 | 11.54 | 21.96 | 22.60 | 23.18 | 23.30 | 18.16 | 19.24 | 36.60 | 37.66 | 38.61 | 38.84 | 30.26 | 32.07 |
| 200 | 12.79 | 13.14 | 13.63 | 13.45 | 9.82 | 10.69 | 21.32 | 21.89 | 22.73 | 22.40 | 16.37 | 17.83 | 35.53 | 36.50 | 37.88 | 37.35 | 27.28 | 29.71 |
| 250 | 12.17 | 12.51 | 13.33 | 13.26 | 9.15 | 10.02 | 20.28 | 20.84 | 22.22 | 22.10 | 15.26 | 16.68 | 33.80 | 34.75 | 37.03 | 36.83 | 25.43 | 27.80 |
| 300 | 11.30 | 11.61 | 12.72 | 12.72 | 8.71 | 9.49 | 18.84 | 19.36 | 21.20 | 21.20 | 14.52 | 15.80 | 31.40 | 32.26 | 35.33 | 35.33 | 24.20 | 26.34 |
| 350 | 10.78 | 11.08 | 12.06 | 12.06 | 8.42 | 9.12 | 17.96 | 18.46 | 20.11 | 20.11 | 14.02 | 15.20 | 29.95 | 30.78 | 33.51 | 33.51 | 23.36 | 25.36 |
| 375 | | 10.94 | 11.63 | 11.63 | 8.32 | 8.91 | | 18.22 | 19.38 | 19.38 | 13.86 | 14.84 | | 30.37 | 32.32 | 32.32 | 23.12 | 24.74 |
| 400 | | 10.34 | 10.98 | 10.98 | 8.23 | 8.72 | | 17.24 | 18.28 | 18.28 | 13.72 | 14.55 | | 28.73 | 30.47 | 30.47 | 22.87 | 24.25 |
| 425 | | 8.62 | 10.53 | 10.53 | 8.14 | 8.59 | | 14.37 | 17.54 | 17.54 | 13.57 | 14.32 | | 23.94 | 29.23 | 29.23 | 22.63 | 23.87 |
| 450 | | 6.01 | 10.13 | 10.13 | 8.06 | 8.42 | | 10.02 | 16.89 | 16.89 | 13.42 | 14.03 | | 16.68 | 28.16 | 28.16 | 22.37 | 23.38 |
| 475 | | 4.06 | 9.50 | 9.50 | 7.97 | 8.20 | | 6.76 | 15.82 | 15.82 | 13.27 | 13.67 | | 11.28 | 26.36 | 26.36 | 22.13 | 22.79 |
| 500 | | | 8.33 | 8.33 | 7.81 | 8.05 | | | 13.89 | 13.89 | 13.02 | 13.40 | | | 23.15 | 23.15 | 21.71 | 22.34 |
| 525 | | | 6.08 | 6.58 | 7.15 | 7.73 | | | 10.12 | 10.96 | 11.94 | 12.89 | | | 16.88 | 18.26 | 19.88 | 21.47 |
| 550 | | | 3.83 | 4.91 | 6.54 | 7.49 | | | 6.38 | 8.17 | 10.91 | 12.48 | | | 10.63 | 13.63 | 18.17 | 20.79 |
| 575 | | | 2.55 | 3.51 | 6.02 | 7.22 | | | 4.24 | 5.85 | 10.04 | 12.04 | | | 7.08 | 9.74 | 16.72 | 20.07 |
| 600 | | | 1.75 | 2.29 | 5.01 | 6.43 | | | 2.94 | 3.82 | 8.35 | 10.71 | | | 4.90 | 6.36 | 13.92 | 17.85 |
| 625 | | | | | 3.92 | 5.48 | | | | | 6.54 | 9.12 | | | | | 10.89 | 15.20 |
| 650 | | | | | 3.16 | 4.23 | | | | | 5.25 | 7.06 | | | | | 8.75 | 11.76 |
| 675 | | | | | 2.33 | 3.78 | | | | | 3.88 | 6.31 | | | | | 6.45 | 10.53 |

图 1 填料使用温度·压力范围

Fig. 1 GLAND PACKING OPERATING PRESSURE-TEMPERATURE RATINGS

图 1-1 聚四氟乙烯碳纤维 (P6528+P4519)

Fig. 1-1 TEFLON FIBER

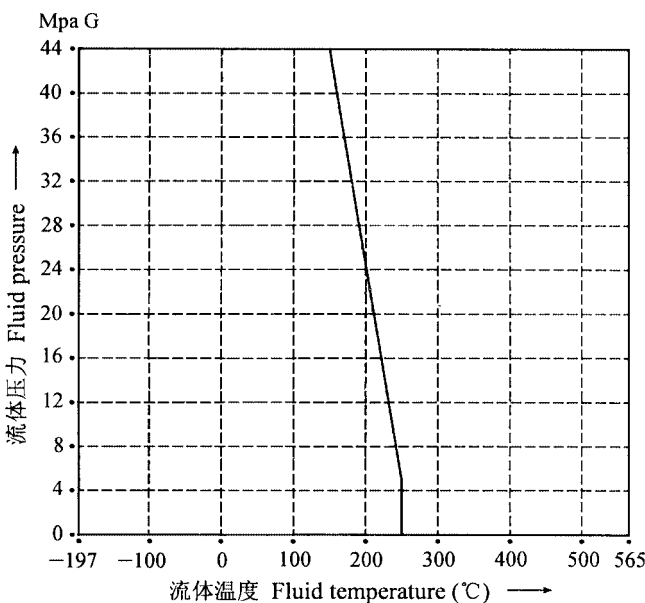


图 1-2 柔性石墨(P6710+P6711)

Fig. 1-2 GRAFOIL

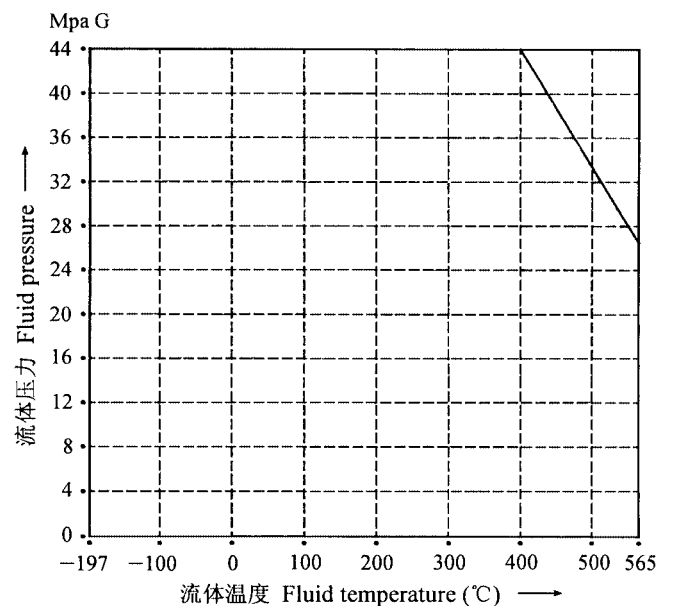


图 2 垫圈使用温度·压力范围

Fig. 2 GASKET OPERATING PRESSURE-TEMPERATURE RATINGS

图 2-1 柔性石墨 / SUS316 (T/#1806GR)

Fig. 2-1 GRAFOIL/SUS316

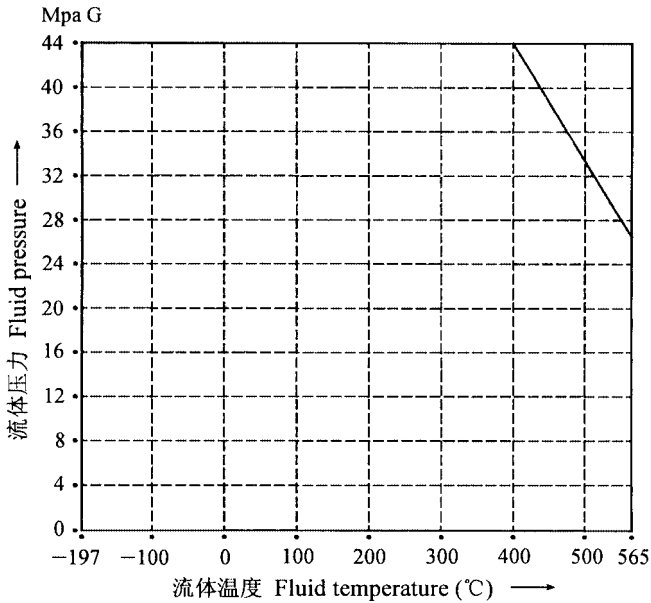


图 2-2 聚四氟乙烯 / SUS316 (T/#9090)

Fig. 2-2 TEFLON/SUS316

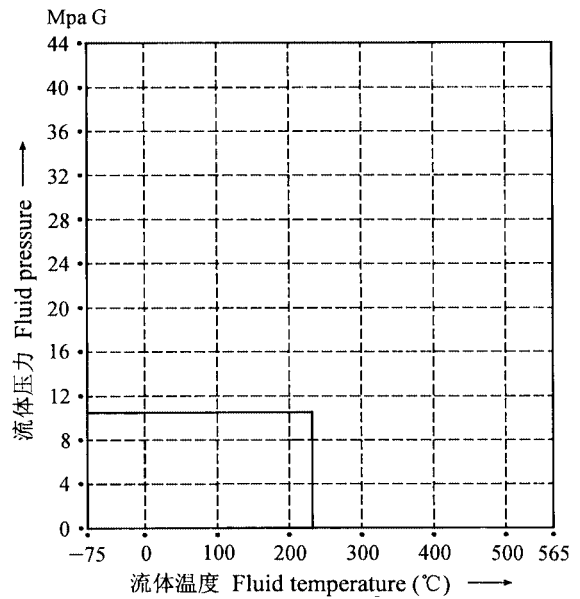


表 3 额定 Cv 及行程

Table 3 Cv VALUE AND STROKE

表 3-1 公称压力 ANSI Class 900、1500

Table 3-1 BODY RATINGS ANSI Class 900、1500

| 公称通径 Valve size inch (mm) | 阀芯尺寸 Plug size inch (mm) | 额定 Rated Cv | 行程 mm Stroke |
|---------------------------------|--------------------------------|----------------|-----------------|
| 0.75 (20) | 1/8 (6) | 0.28 | 12 |
| | 3/16 (7) | 0.52 | 12 |
| | 1/4 (8) | 0.96 | 12 |
| | 5/16 (9) | 1.6 | 20 |
| | 3/8 (10) | 2.5 | 20 |
| | 1/2 (15) | 4.0 | 20 |
| | 3/4 (20) | 6.5 | 20 |
| 1 (25) | 1/8 (6) | 0.28 | 12 |
| | 3/16 (7) | 0.52 | 12 |
| | 1/4 (8) | 0.96 | 12 |
| | 5/16 (9) | 1.6 | 20 |
| | 3/8 (10) | 2.5 | 20 |
| | 1/2 (15) | 4.0 | 20 |
| | 3/4 (20) | 6.5 | 20 |
| | 1 (25) | 13 | 20 |
| 1.5 (40) | 3/4 (20) | 6.5 | 20 |
| | 1 (25) | 13 | 20 |
| | 1.5 (40) | 25 | 20 |
| 2 (50) | 1 (25) | 13 | 20 |
| | 1.5 (40) | 25 | 20 |
| | 2 (50) | 45 | 20 |
| 3 (80) | 2 (50) | 45 | 30 |
| | 2.5 (65) | 72 | 30 |
| | 3 (80) | 100 | 30 |
| 4 (100) | 2.5 (65) | 72 | 40 |
| | 3 (80) | 100 | 40 |
| | 4 (100) | 175 | 40 |

表 3-2 公称压力 ANSI Class 2500

Table 3-2 BODY RATINGS ANSI Class 2500

| 公称通径 Valve size inch (mm) | 阀芯尺寸 Plug size inch (mm) | 额定 Rated Cv | 行程 mm Stroke |
|---------------------------------|--------------------------------|----------------|-----------------|
| 1 (25) | 1/8 (6) | 0.28 | 12 |
| | 3/16 (7) | 0.52 | 12 |
| | 1/4 (8) | 0.96 | 12 |
| | 5/16 (9) | 1.6 | 20 |
| | 3/8 (10) | 2.5 | 20 |
| | 1/2 (15) | 4.0 | 20 |
| | 3/4 (20) | 6.5 | 20 |
| | 1 (25) | 10 | 20 |
| 1.5 (40) | 1/8 (6) | 0.28 | 12 |
| | 3/16 (7) | 0.52 | 12 |
| | 1/4 (8) | 0.96 | 12 |
| | 5/16 (9) | 1.6 | 20 |
| | 3/8 (10) | 2.5 | 20 |
| | 1/2 (15) | 4.0 | 20 |
| | 3/4 (20) | 6.5 | 20 |
| | 1 (25) | 10 | 20 |
| | 1.5 (40) | 20 | 20 |
| | 2 (50) | 30 | 20 |
| 2 (50) | 1 (25) | 10 | 20 |
| | 1.5 (40) | 20 | 20 |
| | 2 (50) | 30 | 20 |
| 3 (80) | 2 (50) | 30 | 30 |
| | 2.5 (65) | 45 | 30 |
| | 3 (80) | 72 | 30 |
| 4 (100) | 2.5 (65) | 45 | 40 |
| | 3 (80) | 72 | 40 |
| | 4 (100) | 100 | 40 |

图3 本体部构造

Fig. 3 BODY SECTION VIEW

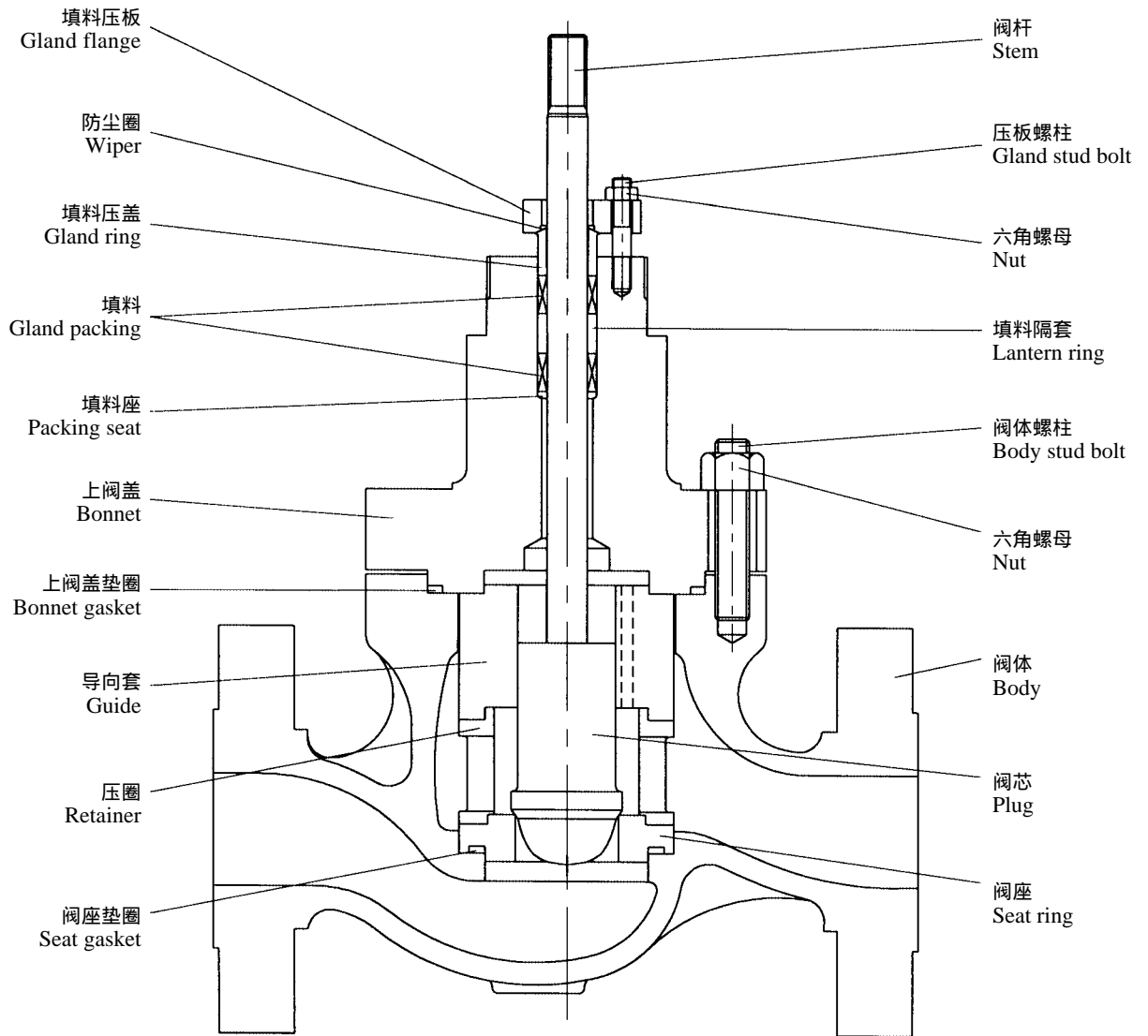


表 4 最大允许压差 (单位: MPa)

Table 4 ALLOWABLE PRESSURE DROPS (UNIT : MPa)

阀门口径与执行机构的标准组合请参见第 13~18 页。

See pages 13~18, for valve size-actuator size combinations.

DA : 正作用 (气压增加时阀闭) Direct action (Air to valve shut)

RA : 反作用 (气压增加时阀开) Reverse action (Air to valve open)

表 4-1 薄膜式执行机构 (5200LA)

Table 4-1 DIAPHRAGM ACTUATOR(5200LA)

表 4-1A 填料: 聚四氟乙烯碳纤维 (P6528+P4519) / 介质温度: +250℃ 以下

Table 4-1A PACKING : TFE FIBER/MEDIUM TEMPERATURE : UNDER +250℃

| 公称压力 Body ratings | 执行机构 尺寸 Actuator size | 气源压力 Air supply KPa G | 弹簧范围 Spring range KPa G | 阀芯尺寸 Plug size (inch) | | | | | | | |
|------------------------|--------------------------------|-----------------------------|-------------------------------|-------------------------|------|------|------|------|------|------|------|
| | | | | ≤0.5 | 0.75 | 1 | 1.5 | 2 | 2.5 | 3 | 4 |
| ANSI Class 900、1500 | 350 | 140 | 20~100 | 1.50 | 0.80 | 0.20 | — | — | — | — | — |
| | | 300 | 80~200 | 21.5 | 14.5 | 8.50 | 3.30 | 1.90 | 1.10 | 0.70 | — |
| | 450 | 140 | 20~100 | — | 3.60 | 1.90 | 0.50 | 0.20 | — | — | — |
| | | 300 | 80~200 | — | 26.4 | 16.2 | 6.60 | 3.80 | 2.40 | 1.60 | 0.80 |
| | 650 | 300 | 80~200 | — | — | — | — | 9.10 | 5.70 | 3.90 | 2.10 |
| | | 300 | 80~200 | — | — | — | — | — | — | — | — |
| ANSI Class 2500 | 350 | 140 | 20~100 | 1.50 | 0.70 | 0.20 | — | — | — | — | — |
| | | 300 | 80~200 | 21.5 | 20.7 | 14.0 | 4.90 | 3.20 | 1.80 | 1.00 | — |
| | 450 | 140 | 20~100 | 5.00 | 4.60 | 2.90 | 0.70 | 0.40 | 0.10 | — | — |
| | | 300 | 80~200 | 44.0 | 34.3 | 26.7 | 9.70 | 6.50 | 3.70 | 2.30 | 1.50 |
| | 650 | 300 | 80~200 | — | — | — | — | 16.8 | 10.0 | 6.30 | 4.30 |
| | | 300 | 80~200 | — | — | — | — | — | — | — | — |

表 4-1B 填料: 柔性石墨(P6710+P6711) / 介质温度: -196~+565℃

Table 4-1B PACKING : GRAFOIL/MEDIUM TEMPERATURE : -196~+565℃

| 公称压力 Body ratings | 执行机构 尺寸 Actuator size | 气源压力 Air supply KPa G | 弹簧范围 Spring range KPa G | 阀芯尺寸 Plug size (inch) | | | | | | | |
|------------------------|--------------------------------|-----------------------------|-------------------------------|-------------------------|------|------|------|------|------|------|------|
| | | | | ≤0.5 | 0.75 | 1 | 1.5 | 2 | 2.5 | 3 | 4 |
| ANSI Class 900、1500 | 350 | 140 | 20~100 | — | — | — | — | — | — | — | — |
| | | 300 | 80~200 | 18.2 | 12.3 | 7.20 | 2.80 | 1.50 | 0.90 | 0.50 | — |
| | 450 | 140 | 20~100 | — | 0.90 | 0.30 | — | — | — | — | — |
| | | 300 | 80~200 | — | 24.6 | 14.6 | 5.90 | 3.40 | 2.10 | 1.40 | 0.70 |
| | 650 | 300 | 80~200 | — | — | — | — | 8.30 | 5.20 | 3.60 | 1.90 |
| | | 300 | 80~200 | — | — | — | — | — | — | — | — |
| ANSI Class 2500 | 350 | 140 | 20~100 | — | — | — | — | — | — | — | — |
| | | 300 | 80~200 | 18.2 | 16.7 | 11.2 | 3.90 | 2.50 | 1.40 | 0.80 | — |
| | 450 | 140 | 20~100 | — | — | — | — | — | — | — | — |
| | | 300 | 80~200 | 26.5 | 24.3 | 23.3 | 8.40 | 5.60 | 3.20 | 2.00 | 1.30 |
| | 650 | 300 | 80~200 | — | — | — | — | 16.8 | 10.0 | 6.30 | 4.30 |
| | | 300 | 80~200 | — | — | — | — | — | — | — | — |

表 4-2 气缸式双动作型执行机构 (6300LA)

Table 4-2 DOUBLE ACTING CYLINDER ACTUATOR(6300LA)

表 4-2A 填料：聚四氟乙烯碳纤维 (P6528+P4519) / 介质温度：+250℃ 以下

Table 4-2A PACKING : TFE FIBER /MEDIUM TEMPERATURE : UNDER +250℃

| 公称压力 Body ratings | 执行机构 尺寸 Actuator size | 气源压力 Air supply KPa G | 阀芯尺寸 Plug size (inch) | | | | | | | |
|------------------------|--------------------------------|-----------------------------|-------------------------|------|------|------|------|------|------|------|
| | | | ≤0.5 | 0.75 | 1 | 1.5 | 2 | 2.5 | 3 | 4 |
| ANSI Class 900、1500 | 200 | 300 | 26.4 | 24.1 | 14.2 | 5.80 | 3.30 | 2.00 | 1.30 | 0.70 |
| | | 400 | 26.4 | 26.4 | 21.6 | 8.90 | 5.20 | 3.30 | 2.20 | 1.10 |
| | | 500 | 26.4 | 26.4 | 26.4 | 12.1 | 7.10 | 4.50 | 3.00 | 1.60 |
| | 300 | 300 | — | 26.4 | 26.4 | 17.6 | 10.4 | 6.60 | 4.50 | 2.50 |
| | | 400 | — | 26.4 | 26.4 | 26.4 | 14.6 | 9.30 | 6.40 | 3.50 |
| | | 500 | — | 26.4 | 26.4 | 26.4 | 18.8 | 12.0 | 8.30 | 4.60 |
| | 450 | 300 | — | — | — | 26.4 | 25.4 | 16.3 | 11.2 | 6.30 |
| | | 400 | — | — | — | 26.4 | 26.4 | 22.4 | 15.5 | 8.70 |
| | | 500 | — | — | — | 26.4 | 26.4 | 26.4 | 19.8 | 11.1 |
| | 600 | 300 | — | — | — | — | — | 26.4 | 21.2 | 11.9 |
| | | 400 | — | — | — | — | — | 26.4 | 26.4 | 16.2 |
| | | 500 | — | — | — | — | — | 26.4 | 26.4 | 20.5 |
| ANSI Class 2500 | 200 | 300 | 41.0 | 31.6 | 21.5 | 7.70 | 5.10 | 2.90 | 1.80 | 1.20 |
| | | 400 | 44.0 | 44.0 | 33.7 | 12.3 | 8.30 | 4.80 | 3.00 | 2.00 |
| | | 500 | 44.0 | 44.0 | 44.0 | 16.9 | 11.4 | 6.70 | 4.20 | 2.90 |
| | 300 | 300 | 44.0 | 44.0 | 44.0 | 25.0 | 16.9 | 10.0 | 6.30 | 4.30 |
| | | 400 | 44.0 | 44.0 | 44.0 | 35.3 | 24.0 | 14.2 | 9.10 | 6.20 |
| | | 500 | 44.0 | 44.0 | 44.0 | 44.0 | 31.0 | 18.4 | 11.8 | 8.10 |
| | 450 | 300 | — | — | — | 44.0 | 41.5 | 24.7 | 15.8 | 10.9 |
| | | 400 | — | — | — | 44.0 | 44.0 | 34.3 | 22.0 | 15.2 |
| | | 500 | — | — | — | 44.0 | 44.0 | 43.9 | 28.2 | 19.5 |
| | 600 | 300 | — | — | — | — | — | 44.0 | 29.0 | 20.9 |
| | | 400 | — | — | — | — | — | 44.0 | 40.5 | 28.0 |
| | | 500 | — | — | — | — | — | 44.0 | 44.0 | 35.5 |

表 4-2B 填料：柔性石墨(P6710+P6711) / 介质温度：-196~+565℃

Table 4-2B PACKING : GRAFOIL/MEDIUM TEMPERATURE : -196~+565℃

| 公称压力 Body ratings | 执行机构 尺寸 Actuator size | 气源压力 Air supply KPa G | 阀芯尺寸 Plug size (inch) | | | | | | | |
|------------------------|--------------------------------|-----------------------------|-------------------------|------|------|------|------|------|------|------|
| | | | ≤0.5 | 0.75 | 1 | 1.5 | 2 | 2.5 | 3 | 4 |
| ANSI Class 900、1500 | 200 | 300 | 20.2 | 13.7 | 8.00 | 3.10 | 1.70 | 1.00 | 0.60 | 0.30 |
| | | 400 | 26.4 | 25.9 | 15.3 | 6.30 | 3.60 | 2.20 | 1.50 | 0.70 |
| | | 500 | 26.4 | 26.4 | 22.7 | 9.40 | 5.50 | 3.40 | 2.30 | 1.20 |
| | 300 | 300 | — | 26.4 | 26.4 | 14.9 | 8.80 | 5.60 | 3.80 | 2.10 |
| | | 400 | — | 26.4 | 26.4 | 21.9 | 13.0 | 8.30 | 5.70 | 3.10 |
| | | 500 | — | 26.4 | 26.4 | 26.4 | 17.2 | 11.0 | 7.60 | 4.20 |
| | 450 | 300 | — | — | — | 26.4 | 22.8 | 14.6 | 10.1 | 5.60 |
| | | 400 | — | — | — | 26.4 | 26.4 | 20.8 | 14.4 | 8.00 |
| | | 500 | — | — | — | 26.4 | 26.4 | 26.4 | 18.7 | 10.5 |
| | 600 | 300 | — | — | — | — | — | 26.4 | 20.1 | 11.3 |
| | | 400 | — | — | — | — | — | 26.4 | 26.4 | 15.6 |
| | | 500 | — | — | — | — | — | 26.4 | 26.4 | 19.9 |
| ANSI Class 2500 | 200 | 300 | 18.8 | 13.0 | 8.70 | 2.90 | 1.90 | 1.00 | 0.50 | 0.30 |
| | | 400 | 39.0 | 30.8 | 20.9 | 7.50 | 5.00 | 2.80 | 1.70 | 1.10 |
| | | 500 | 44.0 | 44.0 | 33.1 | 12.1 | 8.10 | 4.70 | 2.90 | 2.00 |
| | 300 | 300 | 44.0 | 44.0 | 44.0 | 20.2 | 13.6 | 8.00 | 5.10 | 3.50 |
| | | 400 | 44.0 | 44.0 | 44.0 | 30.5 | 20.7 | 12.3 | 7.80 | 5.30 |
| | | 500 | 44.0 | 44.0 | 44.0 | 40.8 | 27.7 | 16.5 | 10.5 | 7.20 |
| | 450 | 300 | — | — | — | 44.0 | 36.3 | 21.6 | 13.8 | 9.50 |
| | | 400 | — | — | — | 44.0 | 44.0 | 31.2 | 20.0 | 13.8 |
| | | 500 | — | — | — | 44.0 | 44.0 | 40.7 | 26.1 | 18.1 |
| | 600 | 300 | — | — | — | — | — | 43.9 | 28.2 | 19.5 |
| | | 400 | — | — | — | — | — | 44.0 | 39.1 | 27.1 |
| | | 500 | — | — | — | — | — | 44.0 | 44.0 | 34.8 |

表 4-3 气缸式单动作型执行机构 (6300LA)

Table 4-3 SPRING RETURN CYLINDER ACTUATOR(6300LA)

表 4-3A 填料：聚四氟乙烯碳纤维 (P6528+P4519) / 介质温度：+250℃ 以下

Table 4-3A PACKING : TFE FIBER /MEDIUM TEMPERATURE : UNDER +250℃

| 公称压力 Body ratings | 执行机构尺寸 Actuator size | 气源压力 Air supply KPa G | 弹簧范围 Spring range KPa G | 阀芯尺寸 Plug size (inch) | | | | | |
|---------------------|-------------------------|-----------------------------|-------------------------------|-------------------------|------|------|------|------|------|
| | | | | 1 | 1.5 | 2 | 2.5 | 3 | 4 |
| ANSI Class 900、1500 | 450 | 500 | 125~375 | — | 15.3 | 9.00 | 5.70 | 3.90 | 2.10 |
| | 600 | 500 | 125~375 | — | — | — | 10.7 | 7.30 | 4.10 |
| ANSI Class 2500 | 450 | 500 | 125~375 | — | 21.7 | 14.6 | 8.60 | 5.50 | 3.70 |
| | 600 | 500 | 125~375 | — | — | — | 16.1 | 10.2 | 7.10 |

表 4-3B 填料：柔性石墨(P6710+P6711) / 介质温度：-196~+565℃

Table 4-3B PACKING : GRAFOIL/MEDIUM TEMPERATURE : -196~+565℃

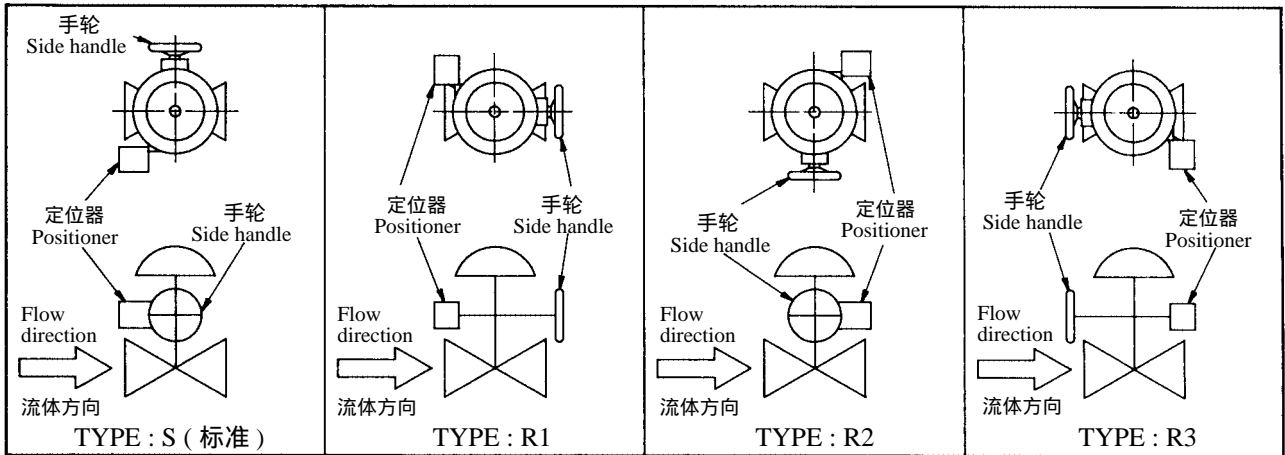
| 公称压力 Body ratings | 执行机构尺寸 Actuator size | 气源压力 Air supply KPa G | 弹簧范围 Spring range KPa G | 阀芯尺寸 Plug size (inch) | | | | | |
|---------------------|-------------------------|-----------------------------|-------------------------------|-------------------------|------|------|------|------|------|
| | | | | 1 | 1.5 | 2 | 2.5 | 3 | 4 |
| ANSI Class 900、1500 | 450 | 500 | 125~375 | — | 12.6 | 7.40 | 4.70 | 3.20 | 1.70 |
| | 600 | 500 | 125~375 | — | — | — | 9.00 | 6.20 | 3.40 |
| ANSI Class 2500 | 450 | 500 | 125~375 | — | 16.8 | 11.4 | 6.70 | 4.20 | 2.80 |
| | 600 | 500 | 125~375 | — | — | — | 12.9 | 8.20 | 5.60 |

图 4 控制阀安装方位 (5200LA)

Fig. 4 ACTUATOR MOUNTING FORMS FOR 5200LA

图 4-1 执行机构尺寸: 218~450

Fig. 4-1 ACTUATOR SIZE : 218~450

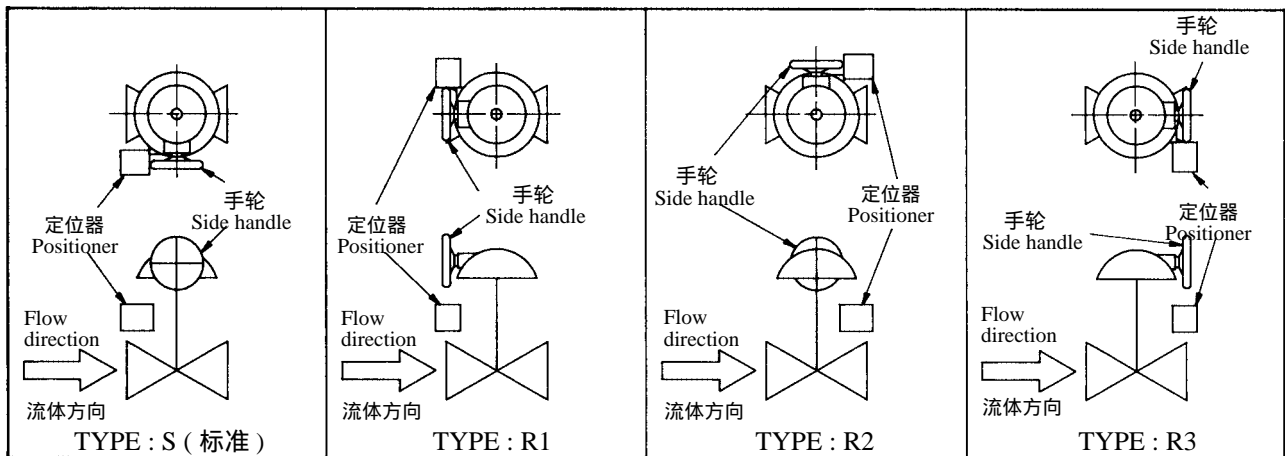


注) 安装位置为非标准时, 请指定安装位置的形式 (TYPE)。

NOTE : Type S is automatically applied, unless otherwise specified.

图 4-2. 执行机构尺寸: 650

Fig. 4-2 ACTUATOR SIZE : 650



注) 安装位置为非标准时, 请指定安装位置的形式 (TYPE)。

NOTE : Type S is automatically applied, unless otherwise specified.

表 5 与标准执行机构组合时的产品重量 (单位: kg)

Table 5 NET WEIGHT OF STANDARD VALVE AND ACTUATOR COMBINED (UNIT: kg)

本表中所列重量, 均为执行机构和本体部的标准产品重量, 不包括附件、手动机构等。

Only standard type are represented. Weights of accessories, a handwheel and the like are not included.

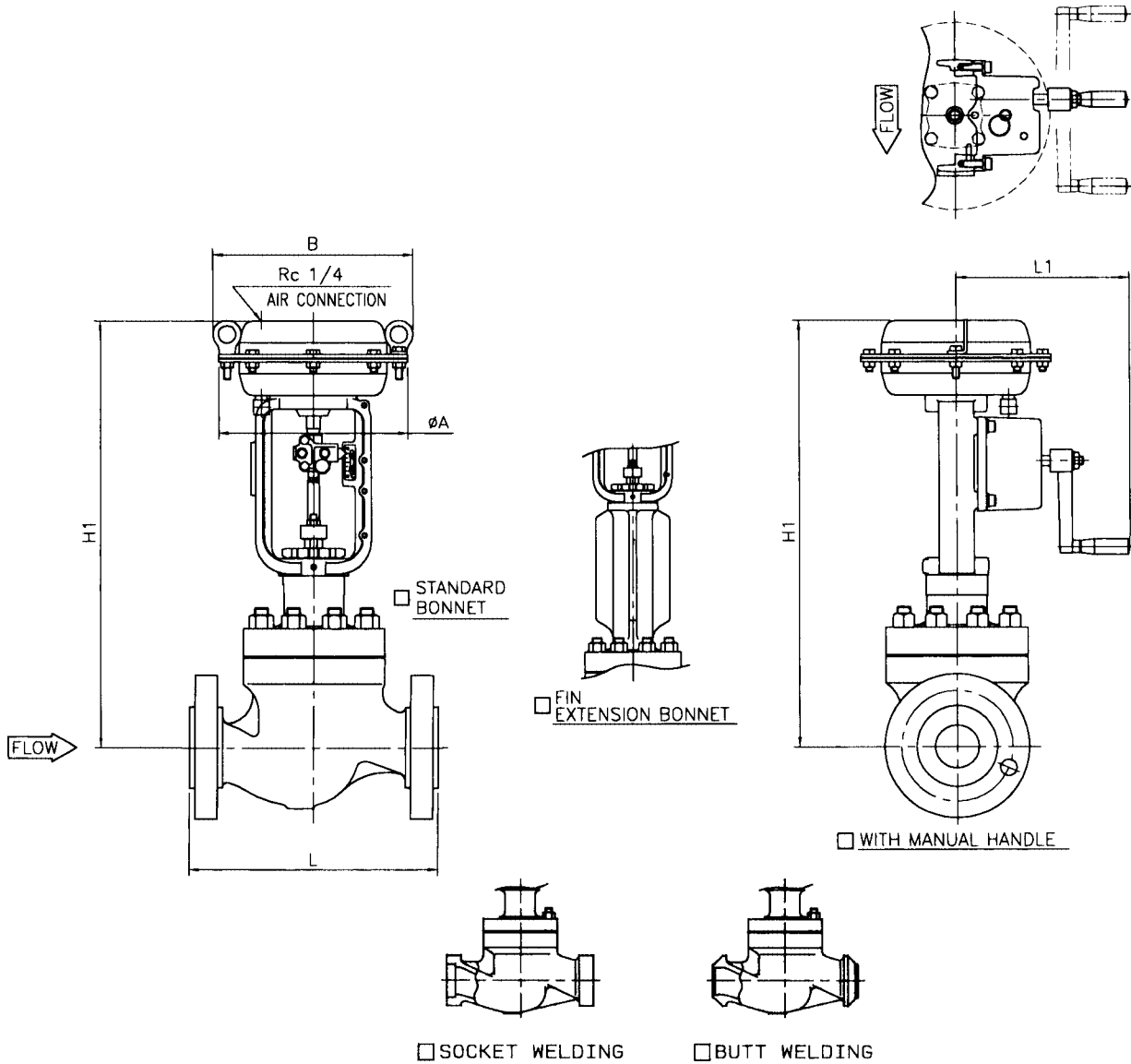
表 5-1 上阀盖形式: 标准型 Table 5-1 BONNET TYPE : STANDARD TYPE

| 公称通径 Valve size Inch (mm) | 公称压力 Body ratings ANSI Class | 薄膜式执行机构 Diaphragm actuator size 5200LA | | | 双动作气缸式执行机构 Double acting Cylinder actuator size 6300LA | | | | 单动作气缸式执行机构 Spring return Cylinder actuator size 6300LA | |
|---------------------------------|------------------------------------|----------------------------------------------|------|------|-----------------------------------------------------------------|-----|-----|-----|-----------------------------------------------------------------|------|
| | | 350 | 450S | 650S | 200 | 300 | 450 | 600 | 450 | 600 |
| 0.75 (20) | 900、1500 | 77 | — | — | 95 | — | — | — | — | — |
| | 2500 | — | — | — | — | — | — | — | — | — |
| 1 (25) | 900、1500 | 87 | — | — | 105 | — | — | — | — | — |
| | 2500 | 102 | — | — | 120 | — | — | — | — | — |
| 1.5 (40) | 900、1500 | 112 | 140 | — | 130 | 165 | — | — | — | — |
| | 2500 | 137 | 165 | — | 155 | 190 | — | — | — | — |
| 2 (50) | 900、1500 | 147 | 175 | — | 165 | 200 | — | — | 425 | — |
| | 2500 | 182 | 210 | — | 200 | 235 | — | — | 460 | — |
| 3 (80) | 900、1500 | 257 | 285 | 412 | 275 | 310 | 415 | 520 | 535 | 1210 |
| | 2500 | 322 | 350 | 477 | 340 | 375 | 480 | 545 | 600 | 1275 |
| 4 (100) | 900、1500 | — | 355 | 482 | 345 | 380 | 485 | 550 | 605 | 1280 |
| | 2500 | — | 440 | 567 | 430 | 465 | 570 | 635 | 690 | 1365 |

表 5-2 上阀盖形式: 散热片型 Table 5-2 BONNET TYPE : FIN-EXTENSION TYPE

| 公称通径 Valve size Inch (mm) | 公称压力 Body ratings ANSI Class | 薄膜式执行机构 Diaphragm actuator size 5200LA | | | 双动作气缸式执行机构 Double acting Cylinder actuator size 6300LA | | | | 单动作气缸式执行机构 Spring return Cylinder actuator size 6300LA | |
|---------------------------------|------------------------------------|----------------------------------------------|------|------|-----------------------------------------------------------------|-----|-----|-----|-----------------------------------------------------------------|------|
| | | 350 | 450S | 650S | 200 | 300 | 450 | 600 | 450 | 600 |
| 0.75 (20) | 900、1500 | 82 | — | — | 100 | — | — | — | — | — |
| | 2500 | — | — | — | — | — | — | — | — | — |
| 1 (25) | 900、1500 | 92 | — | — | 110 | — | — | — | — | — |
| | 2500 | 107 | — | — | 125 | — | — | — | — | — |
| 1.5 (40) | 900、1500 | 117 | 145 | — | 135 | 170 | — | — | — | — |
| | 2500 | 142 | 170 | — | 160 | 195 | — | — | — | — |
| 2 (50) | 900、1500 | 157 | 185 | — | 175 | 210 | — | — | 435 | — |
| | 2500 | 192 | 220 | — | 210 | 245 | — | — | 470 | — |
| 3 (80) | 900、1500 | 277 | 305 | 432 | 195 | 330 | 435 | 550 | 620 | 1230 |
| | 2500 | 342 | 370 | 497 | 360 | 395 | 500 | 565 | 625 | 1295 |
| 4 (100) | 900、1500 | — | 380 | 507 | 370 | 405 | 510 | 575 | 630 | 1305 |
| | 2500 | — | 465 | 592 | 455 | 490 | 795 | 660 | 715 | 1390 |

GLOBE-VALVE DIRECT ACTION



DIMENSIONS

UNIT : mm

| VALVE SIZE | FACE TO FACE : L | | | | | | ANSI 900#, 1500# | | ANSI 2500# | | ACTUATOR | | | | |
|------------|--------------------------------------|---------------|---------------|----------------|---------------|----------------|------------------|----------|------------|----------|----------|------------------------------|-----|----------|--------|
| | ANSI 900# RF | ANSI 900# RTJ | ANSI 1500# RF | ANSI 1500# RTJ | ANSI 2500# RF | ANSI 2500# RTJ | BONNET | | BONNET | | SIZE | WITH MANUAL HANDLE | L1 | CODE No. | |
| | ANSI 900# SW | ANSI 1500# SW | ANSI 2500# SW | ANSI 900# BW | ANSI 1500# BW | ANSI 2500# BW | STD. | FIN EXT. | STD. | FIN EXT. | | | | | A |
| CODE No. | | | | | | | HI | | HI | | | | | | |
| 91 | <input type="checkbox"/> 0.75" (20A) | 270 | 270 | 270 | 270 | — | — | 650 | 750 | — | — | <input type="checkbox"/> 350 | 367 | 230 | 5235LA |
| 1 | <input type="checkbox"/> 1" (25A) | 292 | 292 | 292 | 292 | 318 | 318 | 660 | 760 | 705 | 805 | <input type="checkbox"/> 350 | 367 | 230 | 5235LA |
| 93 | <input type="checkbox"/> 1.5" (40A) | 333 | 333 | 333 | 333 | 358 | 361 | 695 | 845 | 745 | 895 | <input type="checkbox"/> 350 | 367 | 230 | 5235LA |
| | | | | | | | | 760 | 910 | 810 | 960 | <input type="checkbox"/> 450 | 472 | 336 | 524SLA |
| 2 | <input type="checkbox"/> 2" (50A) | 375 | 378 | 375 | 378 | 437 | 440 | 710 | 860 | 775 | 925 | <input type="checkbox"/> 350 | 367 | 230 | 5235LA |
| | | | | | | | | 775 | 925 | 840 | 990 | <input type="checkbox"/> 450 | 472 | 336 | 524SLA |
| 3 | <input type="checkbox"/> 3" (80A) | 440 | 443 | 460 | 463 | 498 | 505 | 780 | 930 | 835 | 985 | <input type="checkbox"/> 350 | 367 | 230 | 5235LA |
| | | | | | | | | 845 | 995 | 900 | 1050 | <input type="checkbox"/> 450 | 472 | 336 | 524SLA |
| 4 | <input type="checkbox"/> 4" (100A) | 510 | 513 | 530 | 533 | 566 | 575 | 915 | 1065 | 975 | 1125 | <input type="checkbox"/> 450 | 472 | 336 | 524SLA |

*FLANGE IS FOLLOWING TO A STANDARD WHICH IS DESCRIBED ON SPECIFICATION SHEET.

NOTE:

DRAWING No.

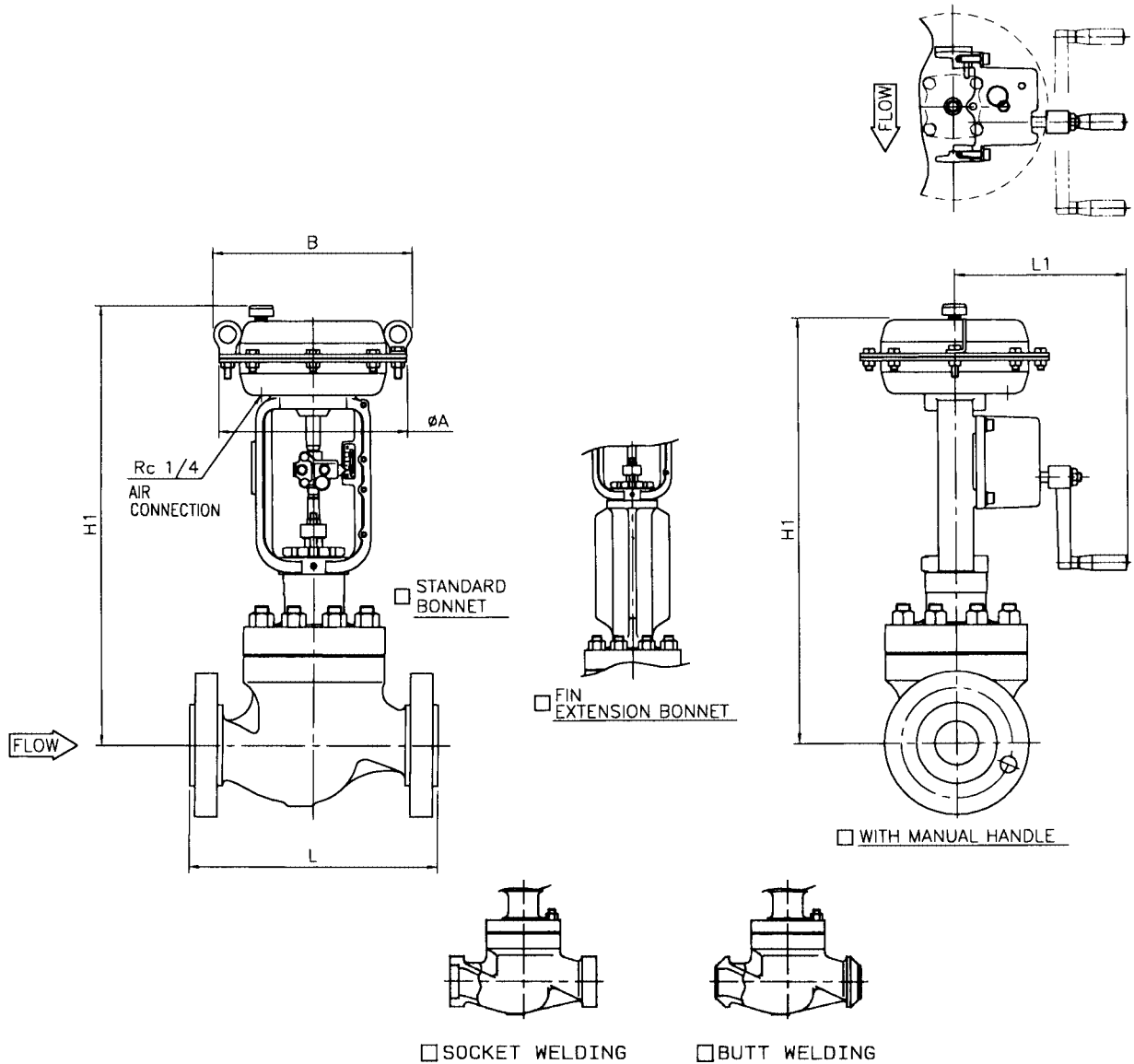
E-501T-5200LA-D-N
S

REV

A

KOSO

GLOBE-VALVE REVERSE ACTION



DIMENSIONS

UNIT : mm

| CODE No. | VALVE SIZE | FACE TO FACE : L | | | | | | ANSI 900#, 1500# | | ANSI 2500# | | ACTUATOR | | | |
|----------|-------------|------------------|---------------|---------------|----------------|---------------|----------------|------------------|----------|------------|----------|----------|--------------------|----------|--------|
| | | ANSI 900# RF | ANSI 900# RTJ | ANSI 1500# RF | ANSI 1500# RTJ | ANSI 2500# RF | ANSI 2500# RTJ | BONNET | | BONNET | | SIZE | WITH MANUAL HANDLE | CODE No. | |
| | | ANSI 900# SW | | ANSI 1500# SW | | ANSI 2500# SW | | STD. | FIN EXT. | STD. | FIN EXT. | | | | A |
| | | ANSI 900# BW | | ANSI 1500# BW | | ANSI 2500# BW | | HI | | HI | | | | | |
| 91 | 0.75" (20A) | 270 | 270 | 270 | 270 | — | — | 690 | 790 | — | — | 350 | 367 | 230 | 5235LA |
| 1 | 1" (25A) | 292 | 292 | 292 | 292 | 318 | 318 | 700 | 800 | 745 | 845 | 350 | 367 | 230 | 5235LA |
| 93 | 1.5" (40A) | 333 | 333 | 333 | 333 | 358 | 361 | 735 | 885 | 785 | 935 | 350 | 367 | 230 | 5235LA |
| | | | | | | | | 800 | 950 | 850 | 1000 | 450 | 472 | 336 | 524SLA |
| 2 | 2" (50A) | 375 | 378 | 375 | 378 | 437 | 440 | 750 | 900 | 815 | 965 | 350 | 367 | 230 | 5235LA |
| | | | | | | | | 815 | 965 | 890 | 1030 | 450 | 472 | 336 | 524SLA |
| 3 | 3" (80A) | 440 | 443 | 460 | 463 | 498 | 505 | 820 | 970 | 875 | 1025 | 350 | 367 | 230 | 5235LA |
| | | | | | | | | 885 | 1035 | 940 | 1090 | 450 | 472 | 336 | 524SLA |
| 4 | 4" (100A) | 510 | 513 | 530 | 533 | 566 | 575 | 955 | 1105 | 1015 | 1165 | 450 | 472 | 336 | 524SLA |

*FLANGE IS FOLLOWING TO A STANDARD WHICH IS DESCRIBED ON SPECIFICATION SHEET.

NOTE:

DRAWING No.

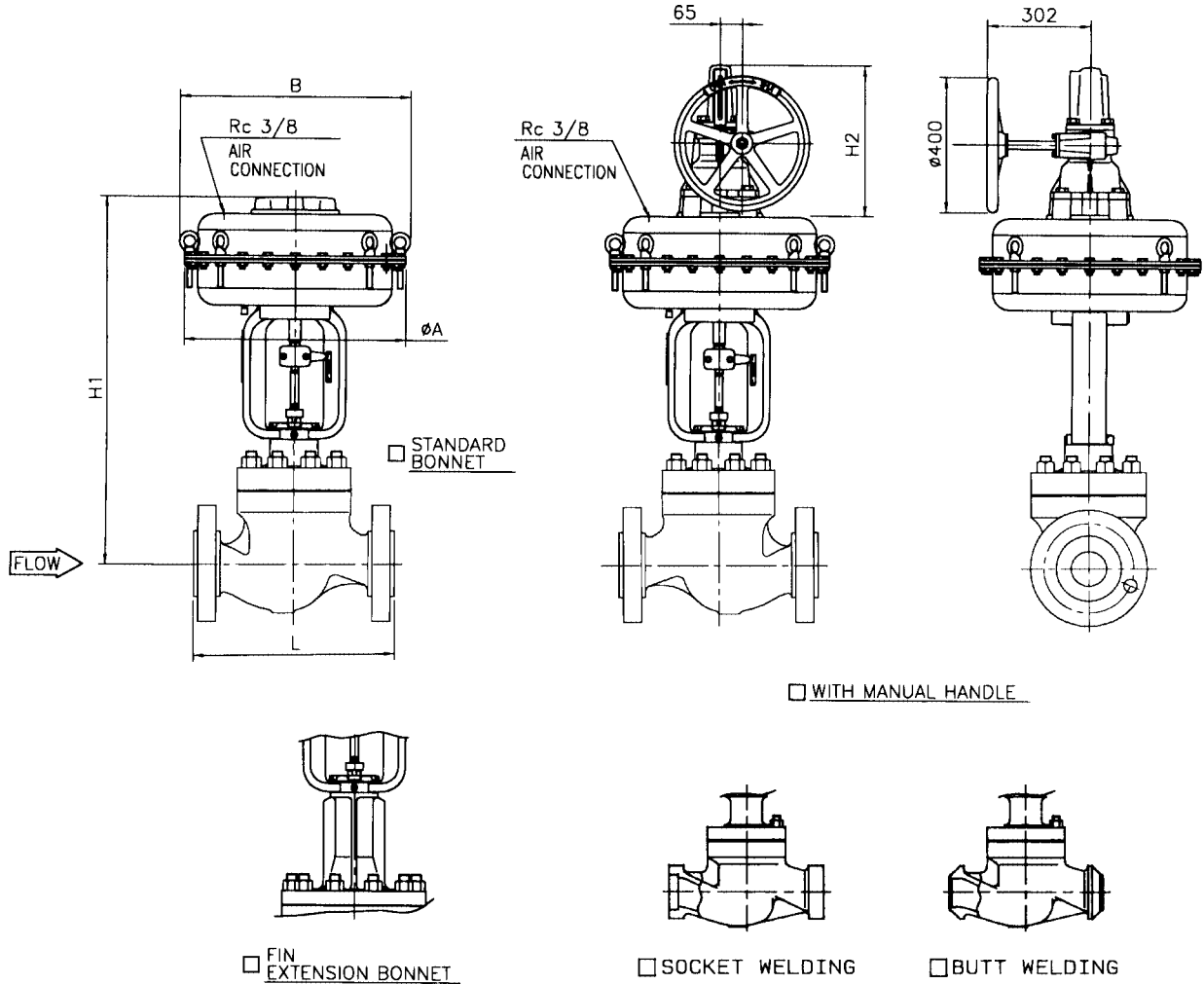
E-501T-5200LA-R-N
S

REV

A

KOSO

GLOBE-VALVE DIRECT ACTION



DIMENSIONS

UNIT : mm

| VALVE SIZE | FACE TO FACE : L | | | | | | ANSI 900#, 1500# BONNET | | ANSI 2500# BONNET | | ACTUATOR | | | | |
|------------|------------------|---------------|---------------|----------------|---------------|----------------|-------------------------|----------|-------------------|----------|-----------|-----------|--------------------------|----------|--------|
| | ANSI 900# RF | ANSI 900# RTJ | ANSI 1500# RF | ANSI 1500# RTJ | ANSI 2500# RF | ANSI 2500# RTJ | STD. | FIN EXT. | STD. | FIN EXT. | SIZE A | SIZE B | WITH MANUAL HANDLE H2 | CODE No. | |
| CODE No. | ANSI 900# SW | ANSI 1500# SW | ANSI 1500# BW | ANSI 2500# SW | ANSI 2500# BW | H1 | | H1 | | | | | | | |
| 3 | 3" (80) | 440 | 443 | 460 | 463 | 498 | 505 | 930 | 1080 | 985 | 1135 | 650 | 678 | 450 | 526SLA |
| 4 | 4" (100) | 510 | 513 | 530 | 533 | 566 | 575 | 1000 | 1150 | 1060 | 1210 | 650 | 678 | 450 | 526SLA |

*FLANGE IS FOLLOWING TO A STANDARD WHICH IS DESCRIBED ON SPECIFICATION SHEET.

NOTE:

DRAWING No.

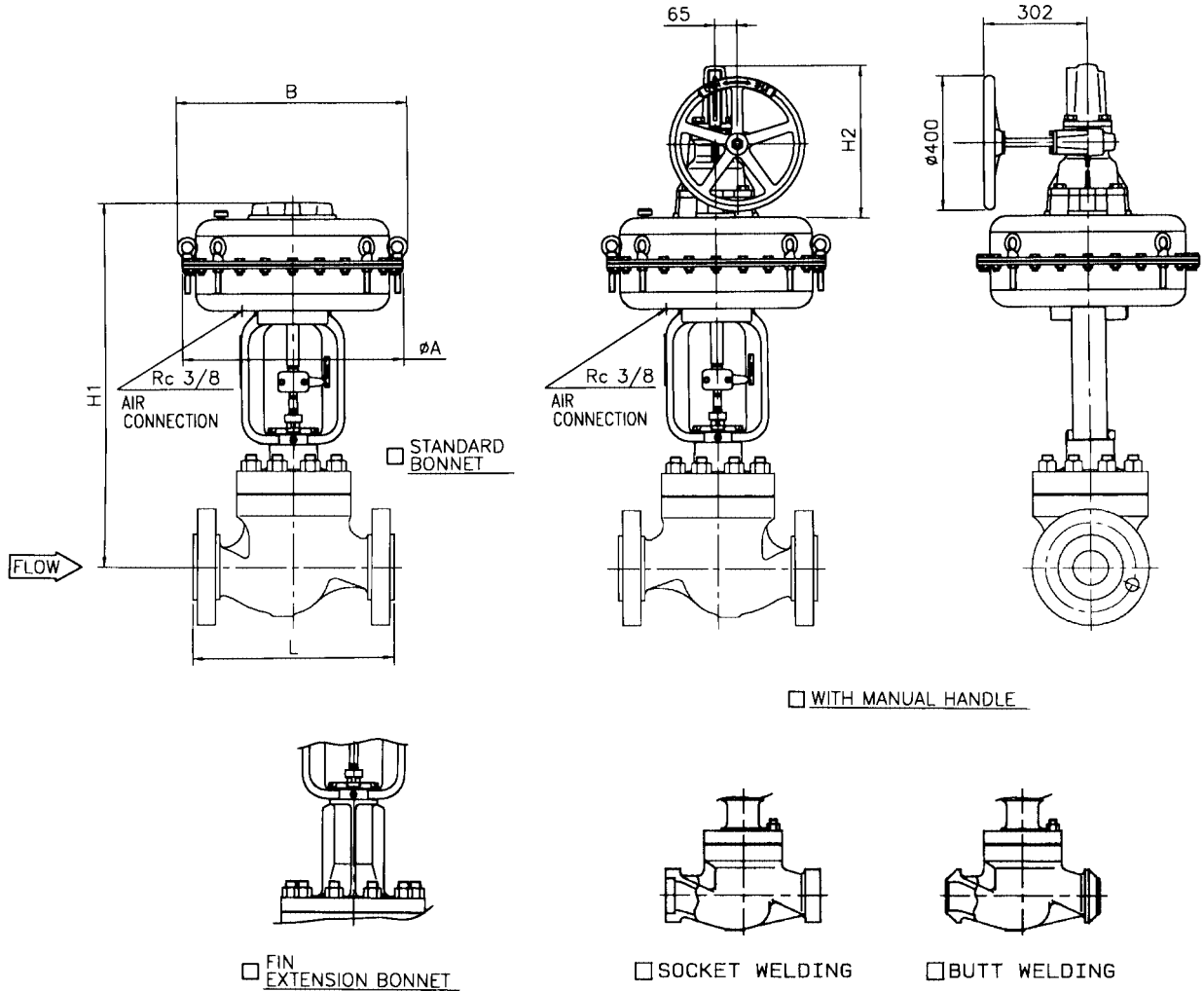
E-501T-526SLA-D-N
S

REV

A

KOSO

GLOBE-VALVE REVERSE ACTION



DIMENSIONS

UNIT : mm

| VALVE SIZE | FACE TO FACE : L | | | | | | ANSI 900#, 1500# | | ANSI 2500# | | ACTUATOR | | | | | | |
|------------|--------------------------|---------------|---------------|----------------|---------------|----------------|------------------|----------|------------|----------|----------|--------------------|--------------------------|-----|-----|-----|--------|
| | ANSI 900# RF | ANSI 900# RTJ | ANSI 1500# RF | ANSI 1500# RTJ | ANSI 2500# RF | ANSI 2500# RTJ | BONNET | | BONNET | | SIZE | WITH MANUAL HANDLE | CODE No. | | | | |
| | ANSI 900# SW | | ANSI 1500# SW | | ANSI 2500# SW | | STD. | FIN EXT. | STD. | FIN EXT. | | | | A | B | H2 | |
| | ANSI 900# BW | | ANSI 1500# BW | | ANSI 2500# BW | | H1 | | H1 | | | | | | | | |
| 3 | <input type="checkbox"/> | 3" (80) | 440 | 443 | 460 | 463 | 498 | 505 | 930 | 1080 | 985 | 1135 | <input type="checkbox"/> | 650 | 678 | 450 | 526SLA |
| 4 | <input type="checkbox"/> | 4" (100) | 510 | 513 | 530 | 533 | 566 | 575 | 1000 | 1150 | 1060 | 1210 | <input type="checkbox"/> | 650 | 678 | 450 | 526SLA |

*FLANGE IS FOLLOWING TO A STANDARD WHICH IS DESCRIBED ON SPECIFICATION SHEET.

NOTE:

DRAWING No.

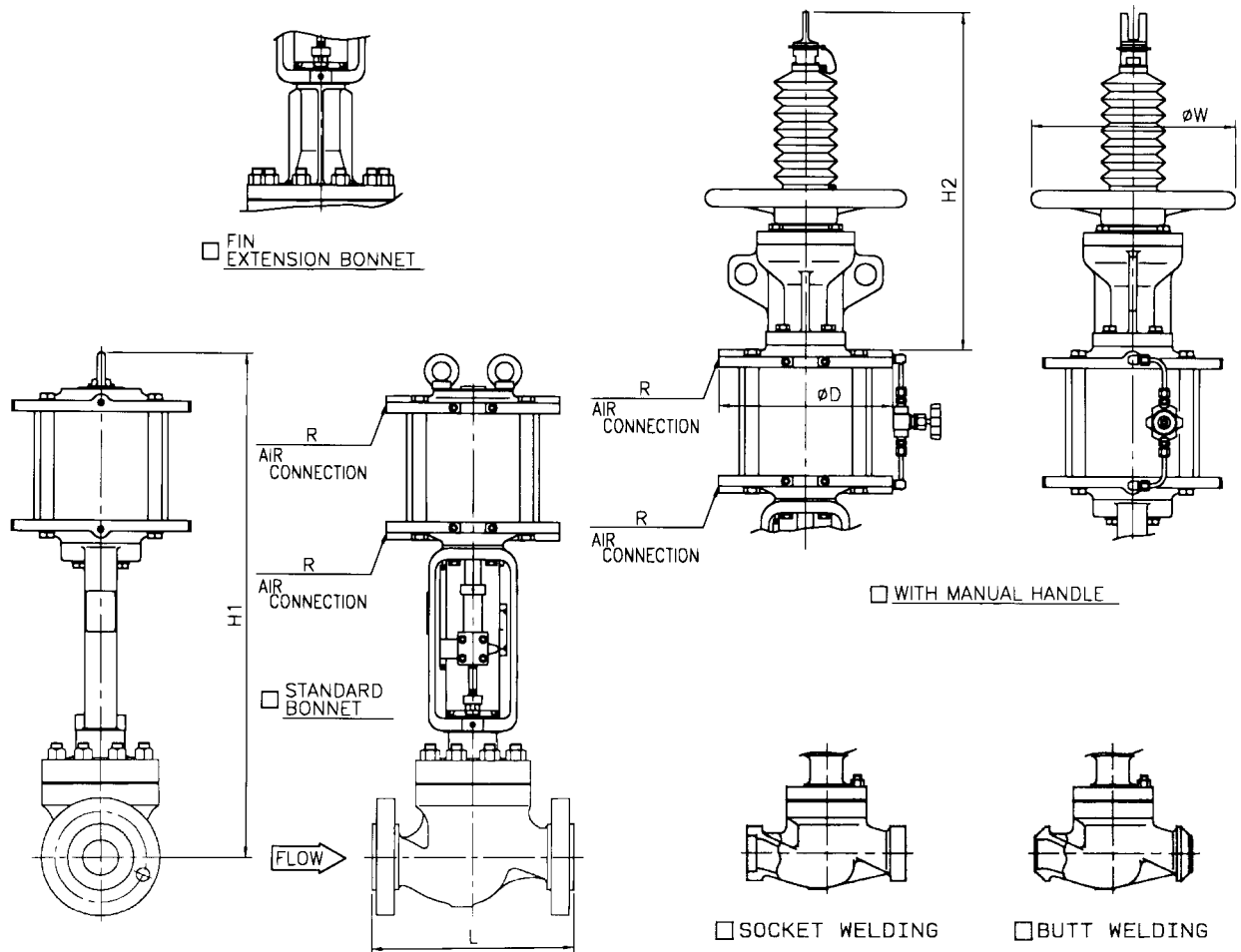
E-501T-526SLA-R-N
S

REV

A

KOSO

GLOBE-VALVE *Double acting cylinder*



DIMENSIONS

UNIT : mm

| VALVE SIZE | FACE TO FACE : L | | | | | | ANSI 900#,1500# | | ANSI 2500# | | ACTUATOR | | | | | |
|------------|--------------------------------------|---------------|---------------|----------------|---------------|----------------|-----------------|------|------------|------|---------------|------------------------------|--------------------|-----|----------|--------|
| | ANSI 900# RF | ANSI 900# RTJ | ANSI 1500# RF | ANSI 1500# RTJ | ANSI 2500# RF | ANSI 2500# RTJ | BONNET | | BONNET | | Cylinder SIZE | R | WITH MANUAL HANDLE | | CODE No. | |
| | ANSI 900# SW | ANSI 1500# SW | ANSI 1500# BW | ANSI 2500# SW | ANSI 2500# BW | STD. | FIN EXT. | STD. | FIN EXT. | H2 | | | ΦW | | | |
| CODE No. | 900# BW | 1500# BW | 2500# BW | 900# BW | 1500# BW | 2500# BW | HI | HI | HI | HI | | | | | | |
| 91 | <input type="checkbox"/> 0.75" (20A) | 270 | 270 | 270 | 270 | — | — | 980 | 1080 | — | — | <input type="checkbox"/> 200 | Rc3/8 | 465 | 320 | 6320LA |
| 91 | <input type="checkbox"/> 1" (25A) | 292 | 292 | 292 | 292 | 318 | 318 | 990 | 1090 | 1035 | 1135 | <input type="checkbox"/> 200 | Rc3/8 | 465 | 320 | 6320LA |
| 93 | <input type="checkbox"/> 1.5" (40A) | 333 | 333 | 333 | 333 | 358 | 361 | 1025 | 1175 | 1075 | 1225 | <input type="checkbox"/> 200 | Rc3/8 | 465 | 320 | 6320LA |
| 2 | <input type="checkbox"/> 2" (50A) | 375 | 378 | 375 | 378 | 437 | 440 | 1040 | 1190 | 1105 | 1255 | <input type="checkbox"/> 200 | Rc3/8 | 465 | 320 | 6320LA |
| 3 | <input type="checkbox"/> 3" (80A) | 440 | 443 | 460 | 463 | 498 | 505 | 1110 | 1260 | 1165 | 1315 | <input type="checkbox"/> 200 | Rc3/8 | 465 | 320 | 6320LA |
| 4 | <input type="checkbox"/> 4" (100A) | 510 | 513 | 530 | 533 | 566 | 575 | 1180 | 1330 | 1240 | 1390 | <input type="checkbox"/> 200 | Rc3/8 | 465 | 320 | 6320LA |

*FLANGE IS FOLLOWING TO A STANDARD WHICH IS DESCRIBED ON SPECIFICATION SHEET.

NOTE:

DRAWING No.

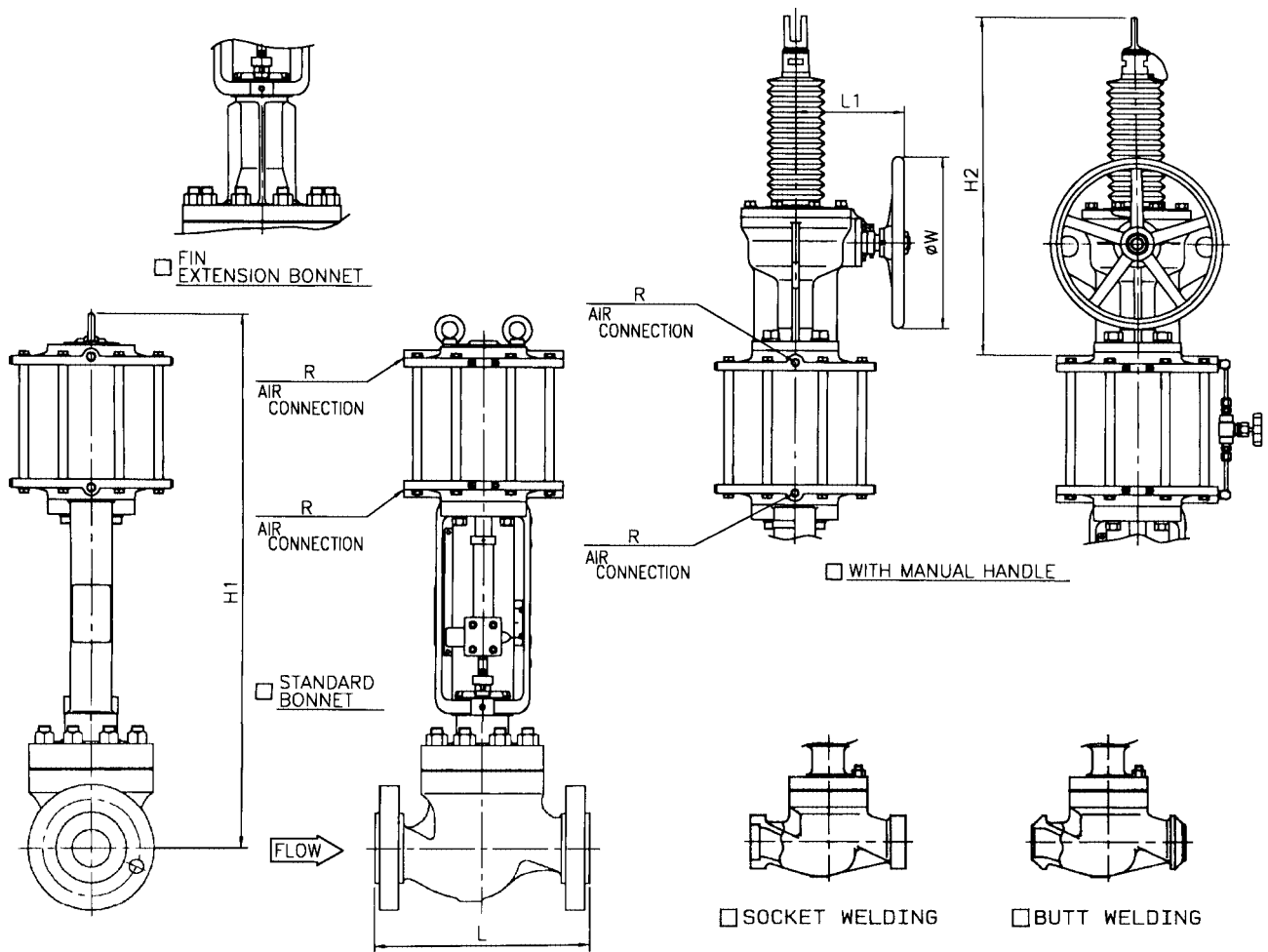
E-501T-6300LA-W-N-T

REV

A

KOSO

GLOBE-VALVE *Double acting cylinder*



DIMENSIONS

UNIT : mm

| VALVE SIZE | FACE TO FACE : L | | | | | | ANSI 900#, 1500# | | ANSI 2500# | | ACTUATOR | | | | | | |
|------------|------------------|---------------|---------------|----------------|---------------|----------------|------------------|----------|------------|----------|---------------|--------------------|-------|-----|----------|-----|--------|
| | ANSI 900# RF | ANSI 900# RTJ | ANSI 1500# RF | ANSI 1500# RTJ | ANSI 2500# RF | ANSI 2500# RTJ | BONNET | | BONNET | | Cylinder SIZE | WITH MANUAL HANDLE | | | CODE No. | | |
| | ANSI 900# SW | ANSI 1500# SW | ANSI 2500# SW | ANSI 900# BW | ANSI 1500# BW | ANSI 2500# BW | STD. | FIN EXT. | STD. | FIN EXT. | | R | H2 | L1 | | ØW | |
| 93 | 1.5" (40A) | 333 | 333 | 333 | 333 | 358 | 361 | 1085 | 1235 | 1135 | 1285 | □300 | Rc1/2 | 615 | 260 | 400 | 6330LA |
| 2 | 2" (50A) | 375 | 378 | 375 | 378 | 437 | 440 | 1100 | 1250 | 1165 | 1315 | □300 | Rc1/2 | 615 | 260 | 400 | 6330LA |
| 3 | 3" (80A) | 440 | 443 | 460 | 463 | 498 | 505 | 1170 | 1320 | 1225 | 1375 | □300 | Rc1/2 | 615 | 260 | 400 | 6330LA |
| | | | | | | | | 1350 | 1500 | 1405 | 1555 | □450 | Rc1/2 | 765 | 330 | 500 | 6345LA |
| | | | | | | | | 1485 | 1635 | 1540 | 1690 | □600 | Rc3/4 | 870 | 445 | 630 | 6360LA |
| 4 | 4" (100A) | 510 | 513 | 530 | 533 | 566 | 575 | 1240 | 1390 | 1300 | 1450 | □300 | Rc1/2 | 615 | 260 | 400 | 6330LA |
| | | | | | | | | 1420 | 1570 | 1480 | 1630 | □450 | Rc1/2 | 765 | 330 | 500 | 6345LA |
| | | | | | | | | 1555 | 1705 | 1615 | 1765 | □600 | Rc3/4 | 870 | 445 | 630 | 6360LA |

*FLANGE IS FOLLOWING TO A STANDARD WHICH IS DESCRIBED ON SPECIFICATION SHEET.

NOTE:

DRAWING No.

E-501T-6300LA-W-NH

REV

A

KOSO