

## Solenoid valve 6027



**Bürkert Fluid Control Systems**  
Christian-Bürkert-Straße 13-17  
74653 Ingelfingen  
Germany  
Tel. +49 (0) 7940/10-0  
Fax +49 (0) 7940/10-91 204  
info@burkert.com  
www.burkert.com

**bürkert**  
FLUID CONTROL SYSTEMS

# Solenoid valve 6027

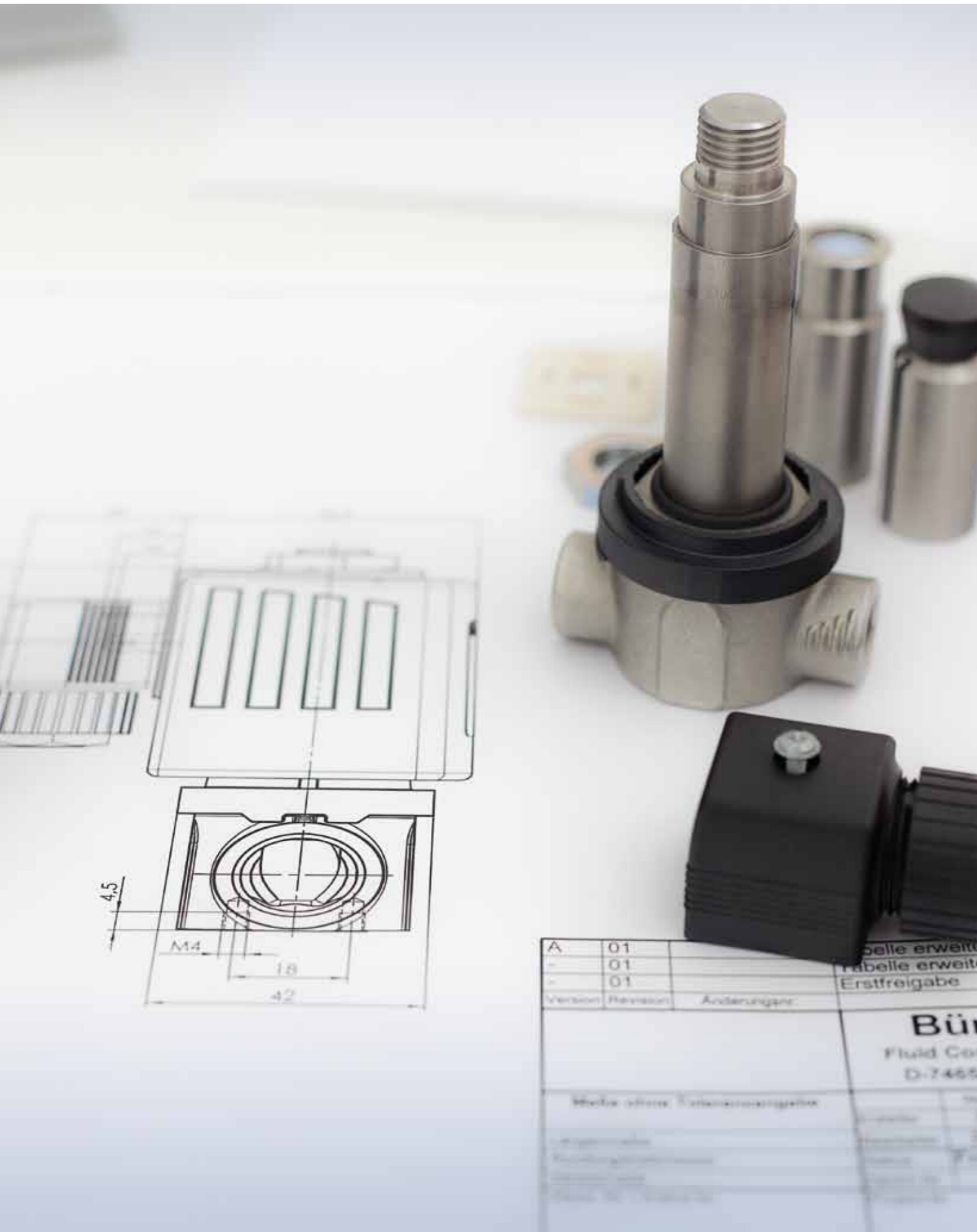
## An all-rounder with special qualities

The Bürkert solenoid valve 6027 – as unspectacular as the name may sound, this valve is actually a very special product. The most obvious features of the direct-acting solenoid valve 6027 are the compact design and the high-quality materials.

On closer look one notices the high-performance AC19 coil system, which provides for dependable opening and closing even in case of fluctuating supply voltage. This basis makes our solenoid valve 6027 a genuine all-rounder.

And this is where you come into the picture. Depending on what you need in your control and regulating process, the 6027 is available in many different versions. Whether in neutral or slightly aggressive media, or also in dry gases and steam – the application-oriented product design of our solenoid valve 6027 features genuinely special qualities in performing your individual process task. And many additional application-specific details lengthen the maintenance intervals and therefore the dependability.

Other options such as NO (normally open) versions, an additionally power-enhancing coil system, certification as a safety shut-off valve for oil burners and explosion-protected versions are also available. But why not convince yourself of the special qualities of our all-rounder! You will find details on the pages that follow.



6027 core tube and fluid element of stainless steel 316L

# Versions and properties at a glance

The solenoid valve 6027 was designed as a 2/2-way direct-acting valve for demanding operating conditions. Its compact design and the metals and elastomers already used in the basic version enable utilization in diverse applications. The valve opens without differential pressure and is equipped with a solid coil system with epoxy resin encapsulation.

## The following versions are available:

- Normally open (NO) and normally closed (NC)
- Pressure ranges: 0 ... 100 bar
- Media temperatures: -20 (-40)...+180 °C
- Seal material combinations: EPDM, FKM or PTFE/PEEK
- Slide ring bearing
- Diameters: DN2 ... DN12
- Housing material: brass or stainless steel (316L)
- Process connections: 1/4, 3/8, 1/2 in G, NPT and RC
- Stronger, power-enhancing coil system, e.g. for 17 ... 32VDC
- IP 65 version for safe outdoor operation
- Max. Kv value: 2.0 m³/h



Stainless steel

Brass

Standard versions optimized for the application are also available, which makes it easier to choose the right valve. The following table gives an overview of the available options, certifications and certificates.

Certifications:	Certificates:	Options:	Special feature: coil system AC19
ATEX	Pharmaceutical/food	FDA up to 180 °C	Moulding material: epoxy
IEC Ex	Drinking water KTW + W270	up to 100 bar	Insulating material class H: up to 180°C
DINCerto (DIN EN ISO23553-1)*	Burnable gases Oxygen suitability	Normally open (NO)	High resistance to chemicals
UL*		Power-enhancing coil system	
CSA*			
DVGW*			

\* Certifications are being prepared

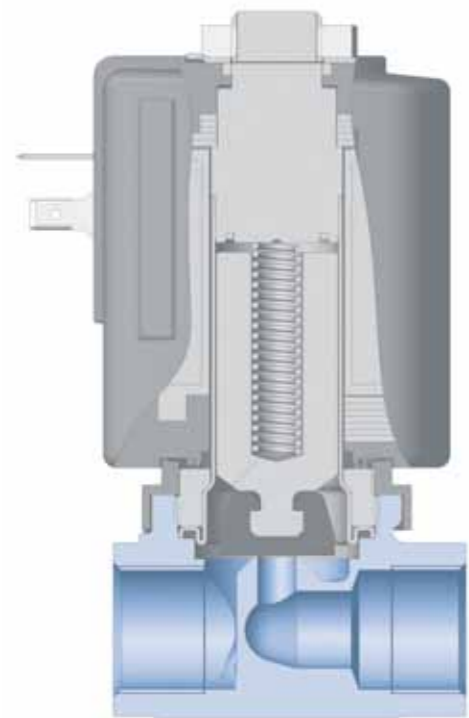


6027 coil body  
with O-ring seal

The good thermal conductivity of the epoxy increases the operational reliability of the coil at 100% duty cycle.

# Versions and their advantages

## Fluidic design for a long life

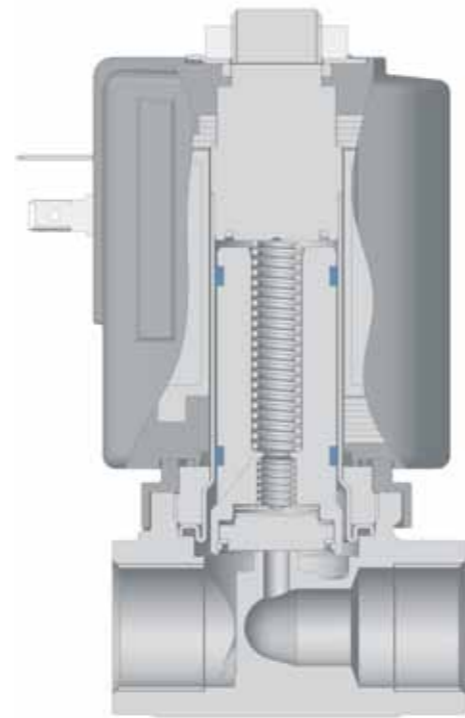


### Standard

The brass version of the valve is suitable for controlling neutral liquids and gases in pressure and vacuum applications. The special fluidic form (ramp design) of the valve body enables maximum flow rates.

### Special features

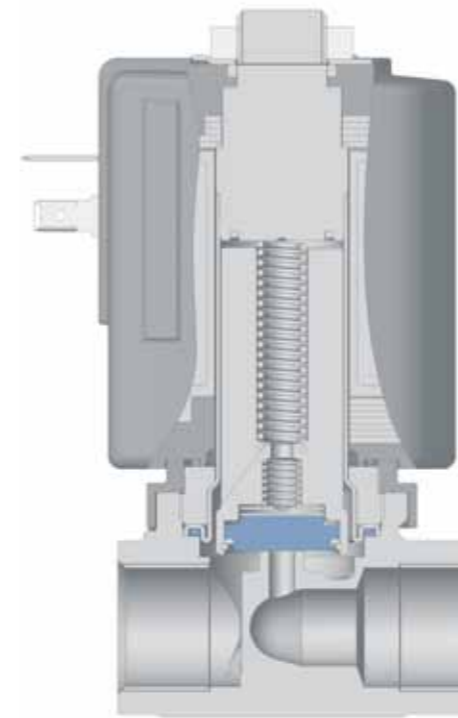
The stainless steel version can be used in mildly acidic and alkaline solutions. Special versions are available for applications in the high-vacuum range (0...600 mbar abs).



### Dry gases

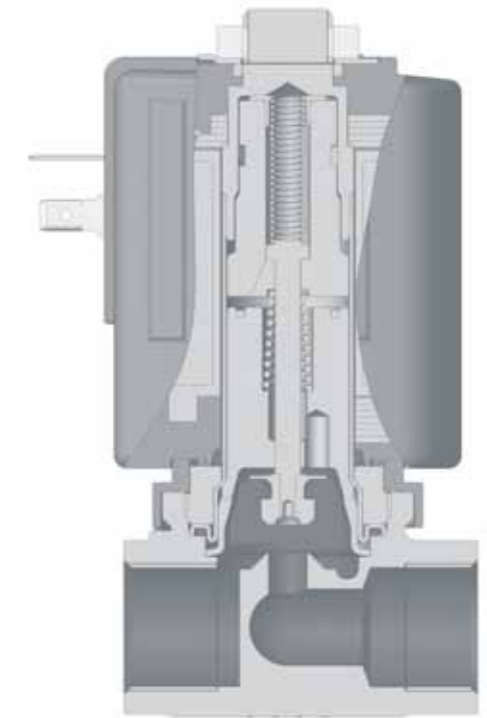
For applications in gases the valve is available with PTFE sliding rings, which ensure low-wear operation and long maintenance intervals even when used with dry gases. The "oil and grease-free" version can be used in oxygen applications.

## Heat and media-resistant in all modes of operation



### Steam and hot oils

The high-quality PTFE/PEEK packing, in combination with the stainless steel body, ensures reliable functioning at steam and oil temperatures up to 180 °C.

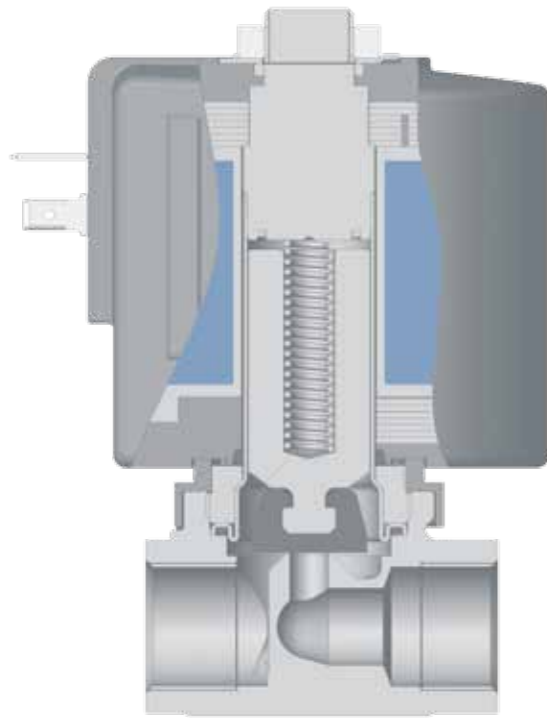


### Normally closed (NC) or Normally open (NO)

The "NO normally open" version of the 6027 is suitable as a safety valve for evacuation, pressure relief, or as a drain valve.

# Versions and their advantages

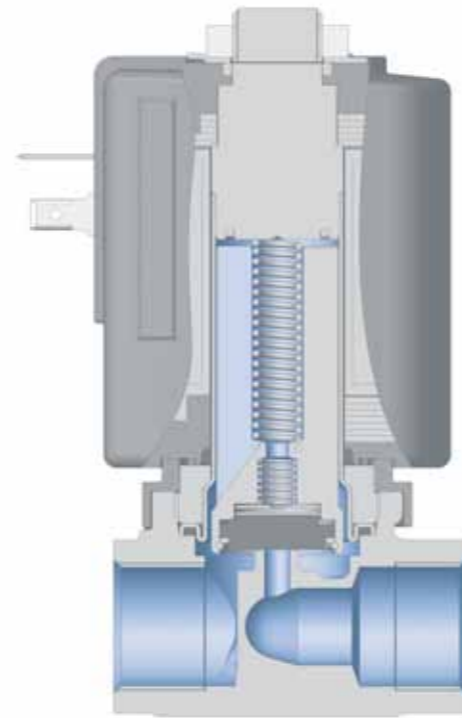
## Powerful and compact



### Coil system

An additional power-enhancing coil system offers the capability of increasing the switching pressure or expanding the operating voltage range. Retrofitting to the higher power L coil is possible also under process conditions.

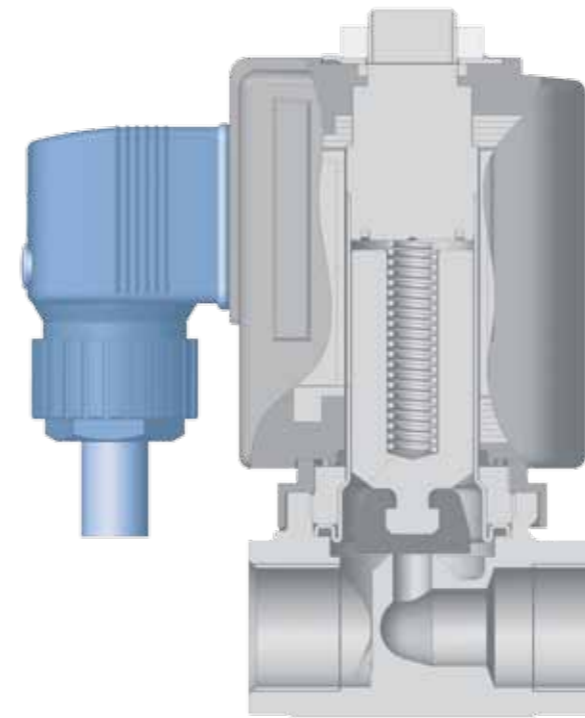
Available for standard supply voltages worldwide.



### High pressures

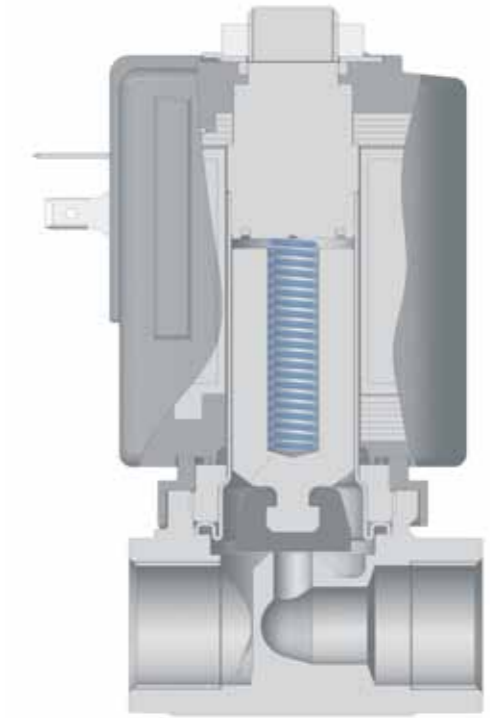
The wall thicknesses and high-quality PEEK/PTFE packing of the stainless steel version make it possible to switch at operating pressures of up to 100 bar.

## Safety first



### Explosion Protection

The Ex version of the coil system AC19 is also suitable for use in areas with explosive gas-air mixtures and dust-air mixtures in Zone 1. The electrical connection is encapsulated for this purpose. The plug is not detachable. The electrical connection is established by means of the moulded cable.



### Safety shut-off valve in accordance with DINCERTO

This version is tested and approved in accordance with DIN EN ISO 23553-1 as a safety shut-off valve for oil burners in accordance with DINCERTO up to 30 bar. A specially designed and tested magnet core and spring assembly ensures that the valve functions in accordance with standards and fulfils the high requirements for reliability and service life.

Our sales staff will be glad to provide you with more information on these versions.

# The product spectrum at a glance

Standard normally closed (NC) version												
Pressure ranges up to <b>30 bar</b> , media temperatures from -10 ... 140 °C, seal material <b>FKM</b>												
G, NPT	Diameter (mm)	Kv value water (m <sup>3</sup> /h)	Pressure range (bar)		Brass			Stainless steel			Sliding ring bearing	Ex-version
					Voltage/frequency (V/Hz)			Voltage/frequency (V/Hz)			Recommended for dry gases	
			DC	AC	024/DC	230/50	120/60	024/DC	230/50	120/60		
1/4	3,0	0,28	0-30	0-25	x	x	A	x	x	A	x	x
	4,0	0,54	0-12	0-16	x	x	A	x	x	A	x	x
	5,0	0,73	0-6	0-10	x	x	A	x	x	A	x	x
	6,0	0,95	0-3	0-6	x	x	A	x	x	A	x	x
3/8	3,0	0,28	0-30	0-25	x	x	A	x	x	A	x	x
	4,0	0,54	0-12	0-16	x	x	A	x	x	A	x	x
	5,0	0,73	0-6	0-10	x	x	A	x	x	A	x	x
	6,0	0,95	0-3	0-6	x	x	A	x	x	A	x	x
1/2	8,0	1,6	0-1	0-3	x	x	A	x	x	A	x	x
	6,0	0,95	0-3	0-6	x	x	A	x	x	A	x	x
	8,0	1,6	0-1	0-3	x	x	A	x	x	A	x	x
	10,0	1,8	0-0,4	0-2,0	x	x	A	x	x	A	x	x
12,0	2,0	0-0,2	0-1,2	-	-	-	x	x	A	x	x	

Standard normally open (NO)												
Pressure ranges up to <b>30 bar</b> , media temperatures from -10 ... 140 °C, seal material <b>FKM</b>												
1/4	3,0	0,28	0-16	0-16	x	x	A	x	x	A	x	-
	4,0	0,54	0-10	0-10	x	x	A	x	x	A	x	-
3/8	6,0	0,95	0-6	0-6	x	x	A	x	x	A	x	-
1/2	8,0	1,6	0-3	0-3	x	x	A	x	x	A	x	-
	10,0	1,8	0-2	0-2	x	x	A	x	x	A	x	-

Standard normally closed (NC) brass version												
Pressure ranges up to <b>80 bar</b> , media temperature -10 ... 140 °C, seal material <b>PTFE/FKM</b>												
G, NPT	Diameter (mm)	Kv value water (m <sup>3</sup> /h)	Pressure range (bar)			Voltage/frequency (V/Hz)			Slide ring bearing	Ex-version		
						Voltage/frequency (V/Hz)						
			DC	AC	DC	AC	DC	AC	DC		AC	DC
1/4	2,0	0,14	0-80	0-75	0-80	x	x	A	x	x	x	x
	4,0	0,54	0-20	0-30	0-50	x	x	A	x	x	x	x
	6,0	0,95	0-5	0-12	0-14	x	x	A	x	x	x	x
3/8	6,0	0,95	0-5	0-12	0-14	x	x	A	x	x	x	x
	8,0	1,6	0-1	0-5	0-6	x	x	A	x	x	x	x
1/2	8,0	1,6	0-1	0-5	0-6	x	x	A	x	x	x	x
	10,0	1,8	0-0,4	0-2	0-3	x	x	A	x	x	x	x
	12,0	2,0	0-0,2	0-1,2	0-2	x	x	A	x	x	x	x

Standard normally closed (NC) stainless steel version												
Pressure ranges up to <b>100 bar</b> , media temperature <b>-40 ... 180 °C</b> , seal material <b>PTFE/PEEK</b>												
1/4	2,0	0,14	0-80	0-75	0-100	x	x	A	x	x	x	x
	4,0	0,54	0-20	0-30	0-50	x	x	A	x	x	x	x
3/8	6,0	0,95	0-5	0-12	0-14	x	x	A	x	x	x	x
	8,0	1,6	0-1	0-5	0-6	x	x	A	x	x	x	x
1/2	10,0	1,8	0-0,4	0-2	0-3	x	x	A	x	x	x	x
	12,0	2,0	0-0,2	0-1,2	0-2	x	x	A	x	x	x	x

x standart feature, A available on request, - not possible

# Accessories: Connectors and coils

The connector 2508, available as an accessory, supplements and expands the application spectrum of the solenoid valve 6027. In addition to visualization of the switching state and various standard functions an energy-saving power-reducing version (2508 LR) is available for longer duty cycles.

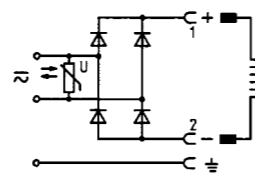
## Without circuitry, 2-pin + protective conductor

Voltage	Constant current	Order no. without cable
0 – 250 V/AC/DC	max. 6 A	008 376



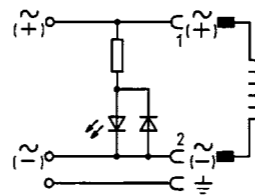
## With rectifier and varistor

Voltage	Constant current	Order no. without cable
12 – 240 V/AC/DC	max. 1 A	008 374



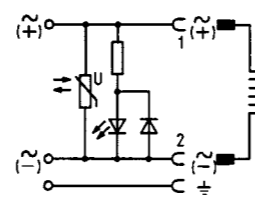
## With LED

Voltage	Constant current	Order no. without cable	Order no. 3 m cable
12 – 24 V/AC/DC	max. 6 A	008 360	783 575
100 – 120 V/AC/DC	max. 6 A	008 361	–
200 – 240 V/AC/DC	max. 6 A	008 362	783 577



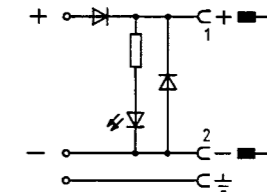
## With LED and varistor

Voltage	Constant current	Order no. without cable	Order no. 3 m cable
12 – 24 V/AC/DC	max. 6 A	008 360	783 579
100 – 120 V/AC/DC	max. 6 A	008 361	783 581
200 – 240 V/AC/DC	max. 6 A	008 362	783 583



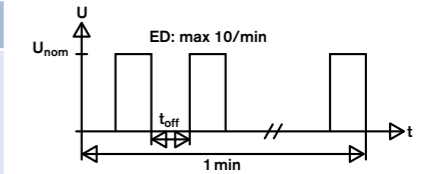
## With polarity protection, recovery diode and LED

Voltage	Constant current	Order no. without cable	Order no. 3 m cable
12 – 24 V/DC	max. 1 A	008 373	783 587



## With power reduction type 2508 LR

Technical data	Order no.
Operating voltage $U_{nom}$	12-24 VDC Supply voltage according to IEC 364-4-41 (PELV)
Max. current	1,5 A (starting), 0,4 A (holding)
Starting power ( $P_{nom}$ ) depends on valve	max. 36 W at 24 V (18 W at 12 V)
Holding power ( $\frac{1}{4} \times P_{nom}$ ) depends on valve	max. 9 W at 24 V (4,5 W at 12 V)
Overexcitation time	ca. 350 ms
Max. duty cycle LED	10/min
Off time $t_{off}$ between two start-ups	min. 1 sec
	212 511



See also data sheet for Type 2508

## The solenoid valve 6027 is equipped with the AC19 coil system.

It is available in three versions. The standard coil (K version), a power-enhancing coil (L version) and an Ex version with a direct cable outlet. All coils are encapsulated with high-resistance epoxy and are firmly screwed to the fluid body. By loosening the screws the coil can be turned in 90° steps. The coils are also available as a replacement part set (Set 1 AC19-K, Set 1 AC19-L).

# Bürkert – Close to You

## Europe

### Austria

Bürkert-Contromatic G.m.b.H.  
Diefenbachgasse 1-3  
AT-1150 Wien  
Tel: +43 (0)1-894 13 33  
Fax: +43 (0)1-894 13 00  
E-mail: info@buerkert.at

### Belgium

Bürkert Contromatic BV  
Minervum 7220  
NL-4817 ZJ Breda / Netherlands  
Tel: +32 (0) 3 325 89 00  
Fax: +32 (0) 3 325 61 61  
E-mail: info@burkert.nl

### Czech Rep.

Bürkert-Contromatic G.m.b.H. organizacni slozka  
Krenova 35  
CZ-602 00 Brno  
Tel: +420 543-25 25 05  
Fax: +420 543-25 25 06  
E-mail: obchod@burkert.cz

### Denmark

Bürkert-Contromatic A/S  
Hørkær 24  
DK-2730 Herlev  
Tel: +45 44-50 75 00  
Fax: +45 44-50 75 75  
E-mail: info.dk@burkert.com

### Finland

Bürkert Oy  
Atomitie 5  
FI-00370 Helsinki  
Tel: +358 (0)207 412 550  
Fax: +358 (0)207 412 555  
E-mail: sales.fi@burkert.com

### France

BURKERT CONTROMATIC SAS  
Rue du Giessen  
FR-67220 Triembach au Val  
Tel: +33 (0)388-58 91 11  
Fax: +33 (0)388-57 20 08  
E-mail: burkert.france@burkert.com

### Germany

Ingelfingen – Sales Center  
Bürkert GmbH & Co. KG  
Christian-Bürkert-Straße 13-17  
DE-74653 Ingelfingen  
Tel: +49 (0)7940/10-91 111  
Fax: +49 (0)7940/10-91 448  
E-mail: info@buerkert.de

### Berlin

Bürkert GmbH & Co. KG  
Paradiesstraße 206 b  
DE-12526 Berlin  
Tel: +49 (0)30/679717-0  
Fax: +49 (0)30/679717-66

### Hannover

Bürkert GmbH & Co. KG  
Rendsburger Straße 18  
DE-30659 Hannover  
Tel: +49 (0)511/90276-0  
Fax: +49 (0)511/90276-66

## Europe, continued

### Dortmund

Bürkert GmbH & Co. KG  
Holzener Straße 70  
DE-58708 Menden  
Tel: +49 (0)2373/9681-0  
Fax: +49 (0)2373/9681-50

### Frankfurt

Bürkert GmbH & Co. KG  
Am Flugplatz 27  
DE-63329 Egelsbach  
Tel: +49 (0)6103/9414-0  
Fax: +49 (0)6103/9414-66

### Stuttgart

Bürkert GmbH & Co. KG  
Ulmer Straße 4  
DE-70771 Leinfelden-Echterdingen  
Tel: +49 (0)711/45110-0  
Fax: +49 (0)711/45110-66

München  
Bürkert GmbH & Co. KG  
Elsenheimerstraße 47  
DE-80687 München  
Tel: +49 (0)89/829228-0  
Fax: +49 (0)89/829228-50

### Italy

Bürkert Contromatic Italiana S.p.A.  
Centro Direzionale „Colombiolo“  
Via Roma, 74  
IT-20060 Cassina De' Pecchi (Mi)  
Tel: +39 02-959 071  
Fax: +39 02-959 07 251  
E-mail: info@buerkert.it

### Netherlands

Bürkert Contromatic BV  
Minervum 7220  
NL-4817 ZJ Breda  
Tel: +31 (0) 88 12 67 300  
Fax: +31 (0) 88 12 67 350  
E-mail: info@burkert.nl

### Norway

Bürkert-Contromatic A/S  
Hvamstubben 17  
NO-2013 Skjetten  
Tel: +47 63-84 44 10  
Fax: +47 63-84 44 55  
E-mail: info@burkert.no

### Poland

Bürkert-Contromatic GmbH Oddzial w Polsce  
Bernardynska street 14 a  
PL-02-904 Warszawa  
Tel: +48 (0)22-840 60 10  
Fax: +48 (0)22-840 60 11  
E-mail: buerkert@buerkert.pl

### Portugal

Tel: +351 212 898 275  
Fax: +351 212 898 276  
E-mail: portugal@burkert.com

### Spain

Bürkert Contromatic S.A.  
Avda. Barcelona, 40  
ES-08970 Sant Joan Despi, Barcelona  
Tel: +34 93-477 79 80  
Fax: +34 93-477 79 81  
E-mail: spain@burkert.com

## Europe, continued

### Sweden

Bürkert-Contromatic AB  
Kattsundsgatan 27  
SE-211 26 Malmö  
Tel: +46 (0)40-664 51 00  
Fax: +46 (0)40-664 51 01  
E-mail: info.se@burkert.com

### Switzerland

Bürkert-Contromatic AG Schweiz  
Bösch 71  
CH-6331 Hünenberg ZG  
Tel: +41 (0)41-785 66 66  
Fax: +41 (0)41-785 66 33  
E-mail: info.ch@burkert.com

### Turkey

Bürkert Contromatic Akiskan Kontrol Sistemleri Ticaret A.S.  
1203/8 Sok. No:2-E  
TR-Yenisehir, Izmir  
Tel: +90 (0)232-459 53 95  
Fax: +90 (0)232-459 76 94  
E-mail: infoturkey@burkert.com

### United Kingdom

Bürkert Contromatic Limited  
Brimscombe Port Business Park  
Brimscombe, Stroud  
Glos, GL5 2QQ / UNITED KINGDOM  
Tel: +44 (0)1453-731 353  
Fax: +44 (0)1453-731 343  
E-mail: sales.uk@burkert.com

## Africa

### South Africa

Bürkert Contromatic (Proprietary) Limited  
233 Albert Amon Road  
Millennium Business Park  
Meadowdale, Germiston  
(Postal: P.O. Box 26260, East Rand 1462)  
SOUTH AFRICA  
Tel: +27 (0)11-574 60 00  
Fax: +27 (0)11-454 14 77  
E-mail: sales.za@burkert.com

## Middle East

Bürkert-Contromatic AG,  
International Middle East (RAKFTZ Branch)  
PO Box 17015, RAK Free Trade Zone  
Ras Al Khaimah  
United Arab Emirates  
Tel: +971 7207 6696  
Fax: +971 7207 6695  
E-mail: sales@burkert.com

## Asia

### China

Bürkert Contromatic (Suzhou) Co. Ltd.  
Systemhaus  
Building No. 5, No.128 Fangzhou Road  
SIP Suzhou P.R. CHINA, 215024  
Tel: +86 0512 6265 9230  
Fax: +86 0512 6265 9773

Bürkert Contromatic (Shanghai), Co., Ltd.  
(logistic and warehouse for BC China)  
Floor 2, block 6, 166 Mingdong Road  
Pudong New District  
Shanghai 201209, P.R. CHINA  
Tel: +86 21-5863 9990  
Fax: +86 21-5863 9968  
E-mail: info.chn@burkert.com

### Beijing

Bürkert Contromatic (Shanghai), Co., Ltd.  
Room A 1708, Luowa Building, No.203  
Er Qu Lizezhongyuan, Wangjing,  
Chaoyang District  
Beijing P.R. CHINA, 100102  
Tel: +86 10 6439 9783, 6439 9793  
Fax: +86 10 6439 9612

### Chengdu

Bürkert Contromatic (Shanghai), Co., Ltd.  
B zone, 2nd floor,  
DongFangGuangYi office building  
33, Hua Tai Road  
LongTan city industrial zone, 2nd section,  
East 3rd ring Rd.  
Chengdu, CHINA 610051  
Tel: +86 28 8425 1434, 8425 1435  
Fax: +86 28 8425 1560

### Guangzhou

Bürkert Contromatic (Shanghai), Co., Ltd.  
4F-1, Block B, No.1 Innovation Building  
No.63 Chuang Qi Road  
Shilou Town, Panyu District  
Guangzhou P.R. CHINA, 511447  
Tel: +86 20 3927 0268, 3927 0260  
Fax: +86 20 3927 0269

### Shanghai

Bürkert Contromatic (Shanghai), Co., Ltd.  
Room 501/502 Xin Gai Nian Mansion  
No.39 Wu Zhong Road  
Shanghai P.R. CHINA, 200233  
Tel: +86 21 6486 5110  
Fax: +86 21 6487 4815

### Suzhou

Bürkert Contromatic (Shanghai), Co., Ltd.  
Unit 11-12, 5th Floor, Block A  
No.5 Xinghan Street  
SIP Suzhou P.R. CHINA, 215021  
Tel: +86-512-6265 9881  
Fax: +86-512-6265 9882

### Hong Kong

Bürkert Contromatic (China/HK) Limited  
Unit K, 9/Floor, Kwai Shun Industrial Centre  
No. 51-63 Container Port Road  
Kwai Chung, N.T., HONG KONG  
Tel: +852 2480 1202  
Fax: +852 2418 1945  
E-mail: info.hkg@burkert.com

### India

Bürkert Contromatic PVT Ltd  
No M6, Dr Vikram Sarabhai Instronic (VSI) Estate,  
Type II, Thiruvanniyur  
Chennai 600 041, INDIA  
Tel: +91 (0)44-2454 0100  
Fax: +91 (0)44-2454 0099  
E-mail: sales.in@burkert.com

## Asia, continued

### Japan

Bürkert Ltd.  
1-12-15, Suidou, Bunkyo-ku  
Tokyo 112-0005, JAPAN  
Tel: +81 (0)3-5804-5020  
Fax: +81 (0)3-5804-5021  
E-mail: info.jpn@burkert.com

### Korea

Bürkert Contromatic Korea Co., Ltd.  
Floor 2, Micro Office Bldg. 554-2  
Gasan-Dong, Keumcheon-Gu  
Seoul 153-803, KOREA  
Tel: +82 (0)2-3462 5592  
Fax: +82 (0)2-3462 5594  
E-mail: info.kor@burkert.com

### Malaysia

Bürkert Contromatic Singapore Pte Ltd  
2F-1, Tingkat Kenari 6  
Sungai Ara  
11960 Penang, MALAYSIA  
Tel: +60 (0)4-643 5008  
Fax: +60 (0)4-643 7010  
E-mail: info.sin@burkert.com

### Philippines

Bürkert Contromatic Philippines, Inc.  
8467 West Service Road, Km. 14, Sunvalley  
South Superhighway, Paranaque City, 1700  
Metro Manila, PHILIPPINES  
Tel: +63 (0)2-7766071 / 7764384  
Fax: +63 (0)2-7764382  
E-mail: info.rp@burkert.com

### Singapore

Bürkert Contromatic Singapore Pte Ltd  
51 Ubi Avenue 1, #03-14  
Paya Ubi Industrial Park  
Singapore 408933, SINGAPORE  
Tel: +65 6844 2233  
Fax: +65 6844 3532  
E-mail: info.sin@burkert.com

### Taiwan

Bürkert Contromatic Taiwan Ltd.  
9 F, No. 32, Chenggong Road, Sec. 1,  
Nangang District  
Taipei, TAIWAN 115, R.O.C.  
Tel: +886 (0)2-2653 7868  
Fax: +886 (0)2-2653 7968  
E-mail: info.rc@burkert.com

## Pacific

### Australia

Bürkert Contromatic Australia Pty Ltd  
Tel: 1300 888 868  
Fax: 1300 888 076  
E-mail: sales.au@burkert.com

### Bürkert Sydney

15 Columbia Way  
Norwest Business Park  
Baulkham Hills NSW 2153

### Bürkert Melbourne

Suite 49, UniPark  
Building 4, 195 Wellington Road  
Clayton VIC 3168

### Bürkert Brisbane

Unit 1, 88 Brandl Street  
Brisbane Technology Park  
Eight Mile Plains QLD 4113

### Bürkert Perth

Unit 8, 1st Floor  
85 Reid Promenade  
Joondalup WA 6027

## Pacific, continued

### South Australia

Innovation House  
First Avenue  
Mawson Lakes SA 5095

### New Zealand

Bürkert Contromatic New Zealand Ltd  
Tel: 0800 BURKERT  
Fax: 0800 33 33 77  
E-mail: sales.nz@burkert.com

### Bürkert Auckland

44 Rennie Drive  
Airport Oaks, Auckland 2022

## NAFTA

### Canada

Burlington Headquarters  
Bürkert Contromatic Inc.  
5002 South Service Road  
Burlington, Ontario L7L 5Y7, CANADA  
Tel: +1 905-632 30 33  
Fax: +1 905-632 38 33  
E-mail: sales.ca@burkert.com

### Montreal/Sales Center

Bürkert Contromatic Inc.  
8104 Trans Canada Highway  
St. Laurent, Quebec H4S 1M5, CANADA  
Tel: +1 514-336 9033  
Fax: +1 514-336 9034

### USA

Charlotte Headquarters  
Bürkert Contromatic Corp.  
2915 Whitehall Park Drive, Suite 650  
Charlotte, NC 28273, USA  
Tel: +1 800-325 1405  
Fax: +1 949-223 3198  
E-mail: marketing-usa@burkert.com

### West Coast Sales Facility

2572 White Road  
Irvine, CA 92614, USA  
Tel: +1 800-325 1405  
Fax: +1 949-223 3198

### Charlotte Systemhaus

2915 Whitehall Park Drive, Suite 100  
Charlotte, NC 28273, USA  
Tel: +1 800-325 1405  
Fax: +1 949-223 3198

### Engineering Division

2915 Whitehall Park Drive, Suite 200  
Charlotte, NC 28273, USA  
Tel: +1 800-325 1405  
Fax: +1 949-223 3198

## Latin America

### Argentina

Bürkert-Contromatic Argentina S.A.  
Uruguay 2602, Centro Uruguay Norte,  
P.B. Oficina 1, (B1643KFP) Beccar,  
Pcia. de Buenos Aires, ARGENTINA  
Tel: +54 (0)11-5648-6350  
Fax: +54 (0)11-5648-6355  
E-mail: contacto.argentina@burkert.com

### Brazil

Bürkert-Contromatic Brasil Ltda.  
Rua América Brasileira, 2069  
Chacara Santo Antônio  
04715-005 São Paulo - SP BRAZIL  
Tel: +55 (0)11-2186 1155  
Fax: +55 (0)11-2186 1165  
E-mail: pedidos.brasil@burkert.com