

Design ES and EAS Sliding-Stem Control Valves

Design ES and EAS general-purpose control valves (figures 1, 2, and 3) are used for throttling or on-off control of a wide variety of liquids and gases. Both valve designs have single ports, unbalanced valve plugs, and cage guiding.

In both designs, metal-to-metal seating is standard for all general applications over a wide range of pressure drops and temperatures. Metal-to-PTFE seating is optional for more stringent shutoff requirements.

Unless otherwise noted, all NACE references are to NACE MR0175-2002.

The easy-e® Valve Family

Design ES and EAS valves are part of the versatile easy-e family of Fisher® industrial control valves. easy-e valves share the following characteristics.

- Multiple trim material choices
- Trim temperature capability with standard metal seats to 427°C (800°F)
- Flexible graphite gaskets
- Interchangeable, restricted-capacity trims and full-flow trims to match variable process flow demands
- Trim part interchangeability that permits reconfiguring the valve to a different design variation
- Different cage/plug styles provide particular flow characteristics for highly-specialized applications. The standard cage comes in three different flow characteristics:
 - quick-opening
 - linear
 - equal percentage



W2174-1/IL

Figure 1. Design ES Control Valve with Type 657 Actuator



ES Valve

Contents

Features	2
ENVIRO-SEAL® and HIGH-SEAL	
Packing Systems	3
Class VI Shutoff Capabilities	3
Tables	
Class VI Tables	3
Available Constructions	4
Typical Combinations of	
Metal Trim Parts	5
Valve Body/Trim Temperature	
Capabilities	7
Bonnet Selection Guidelines	7
Maximum Flow Coefficients	9
Materials and Temperature Limits for	
All Other Parts	10
Metal Trim Part Materials for	
Compatibility with NACE MR0175-2002	
(Sour Service) Specifications,	
Environmental Restrictions Apply,	
Refer to Standard	11
Bolting Materials and Temperature Limits	
for Bolting Compliance with	
NACE MR0175-2002	13
Port Diameters, Valve Plug Travel, and	
Stem and Yoke Boss Diameters	13
Dimensions	15
Coefficients	18
Specifications	30
ENVIRO-SEAL Packing System	
Specifications	32
• Whisper Trim® I cages (figure 2) that attenuate	
aerodynamic noise in gaseous service are available	
for all sizes except the NPS 8 Design ES valve.	
• Optional constructions provide material	
compatibility with NACE MR0175-2002.	
• 316 stainless steel packing box parts are	
standard (including packing flange, studs, and nuts).	

Features

- **Compliance with the Clean Air Act—** Optional ENVIRO-SEAL packing systems (figure 4) provide an improved stem seal to help prevent the

loss of process fluid. The ENVIRO-SEAL packing systems feature PTFE, Graphite ULF, or Duplex packing with live-loading for reduced packing maintenance.

- **Valve Plug Stability—** Rugged cage guiding provides increased valve plug stability, which reduces vibration and mechanical noise.
- **Economy—** Streamlined flow passages provide higher efficiency and greater capacities per initial investment.
- **Cost-Effective Operation—** Increased wear resistance of the standard hardened stainless steel trim means long-lasting service. Also, trim inventory costs are cut because dimensional standardization permits use of most standard easy-e trim parts.
- **Easy Maintenance—** The valve can stay in the pipeline during removal of trim parts for inspection or maintenance.
- **Long-Lasting Shutoff Capability with PTFE Seating—** Controlled compression of optional seat construction protects PTFE disk between metal disk seat and disk retainer (figure 2). The flowstream contacts only the edge of the disk during normal operation.
- **Compliance with European Standards—** Valves are available with dimensions specified by EN/DIN standards. See figure 8 and the note in figure 9.
- **Sour Service Capability—** Materials are available for applications handling sour fluids and gases. These materials comply with the requirements of NACE MR0175-2002.

Note

Neither Emerson, Emerson Process Management, nor any of their affiliated entities assumes responsibility for the selection, use and maintenance of any product. Responsibility for the selection, use, and maintenance of any product remains with the purchaser and end-user.

Table 1. Class VI Shutoff Availability

Type	Port Size, Inches	Seat	Minimum Seat Load
ES	≤ 7	Metal	300 lbs/lineal inch

Table 2. Class VI Trim Materials

TYPE	CAGE/SEAT RING RETAINER	VALVE PLUG	SEAT RING	TRIM TEMPERATURE LIMIT	
				°C	°F
ES	S31600 (316 SST) / ENC	S31600/CoCr-A (alloy 6) seat w/ radiused seat (special design)	S31600 w/ wide beveled seat (special design)	Not a limiting factor	Not a limiting factor

ENVIRO-SEAL®, HIGH-SEAL Packing Systems

ENVIRO-SEAL and HIGH-SEAL packing systems offer excellent sealing capabilities. They easily install in your existing valves or can be purchased with new valves. These systems may help prevent the loss of process fluid. The long operational life and reliability of these systems also helps to reduce your maintenance costs and downtime.

For applications requiring compliance with environmental protection regulations, the unique Fisher ENVIRO-SEAL packing system (figure 4) and a unique ENVIRO-SEAL bellows seal system (figure 5) are offered. The patented emission control packing system helps to keep emission concentrations below the EPA 100 ppm requirement.

For an excellent stem seal in applications that are not environmentally-sensitive, the Fisher

HIGH-SEAL Graphite ULF packing system is offered. The HIGH-SEAL packing system provides excellent sealing at pressure/temperature ratings beyond ENVIRO-SEAL limits.

ENVIRO-SEAL packing systems, available with PTFE, Graphite ULF, or Duplex packing, and the HIGH-SEAL packing systems, Graphite ULF and graphite composite, feature live-loading and unique packing-ring arrangements for long-term, consistent sealing performance.

Class VI Shutoff Capabilities

Design ES valves with metal seat constructions can provide ANSI/FCI Class VI shutoff capabilities. See tables 1 and 2.

Table 3. Available Valve Body Constructions

DESIGN	VALVE SIZE, NPS	BODY MATERIAL AND END CONNECTION STYLE ⁽¹⁾							
		Carbon Steel, Alloy Steel, or Stainless Steel Valve Body						Cast Iron Valve Body	
		Screwed	RF or RTJ Flanged			Butt-welding	Socket Weld	CL125 FF Flanged	CL250 RF Flanged
CL150	CL300		CL600						
ES	1/2 or 3/4	X	---	---	---	---	X	---	---
	1, 1-1/2, or 2	X	X	X	X	X	X	X	X
	1-1/4	X	---	---	---	---	---	---	---
	2-1/2, 3, 4, 6, or 8	---	X	X	X	X	---	X	X
EAS	1 or 2	---	X	X	X	X	---	---	---
	3, 4, or 6	---	X	X	X	X	---	---	---

X = Available Construction.
 1. End connection style abbreviations: FF - Flat Faced, RF - Raised Face, RTJ - Ring Type Joint.

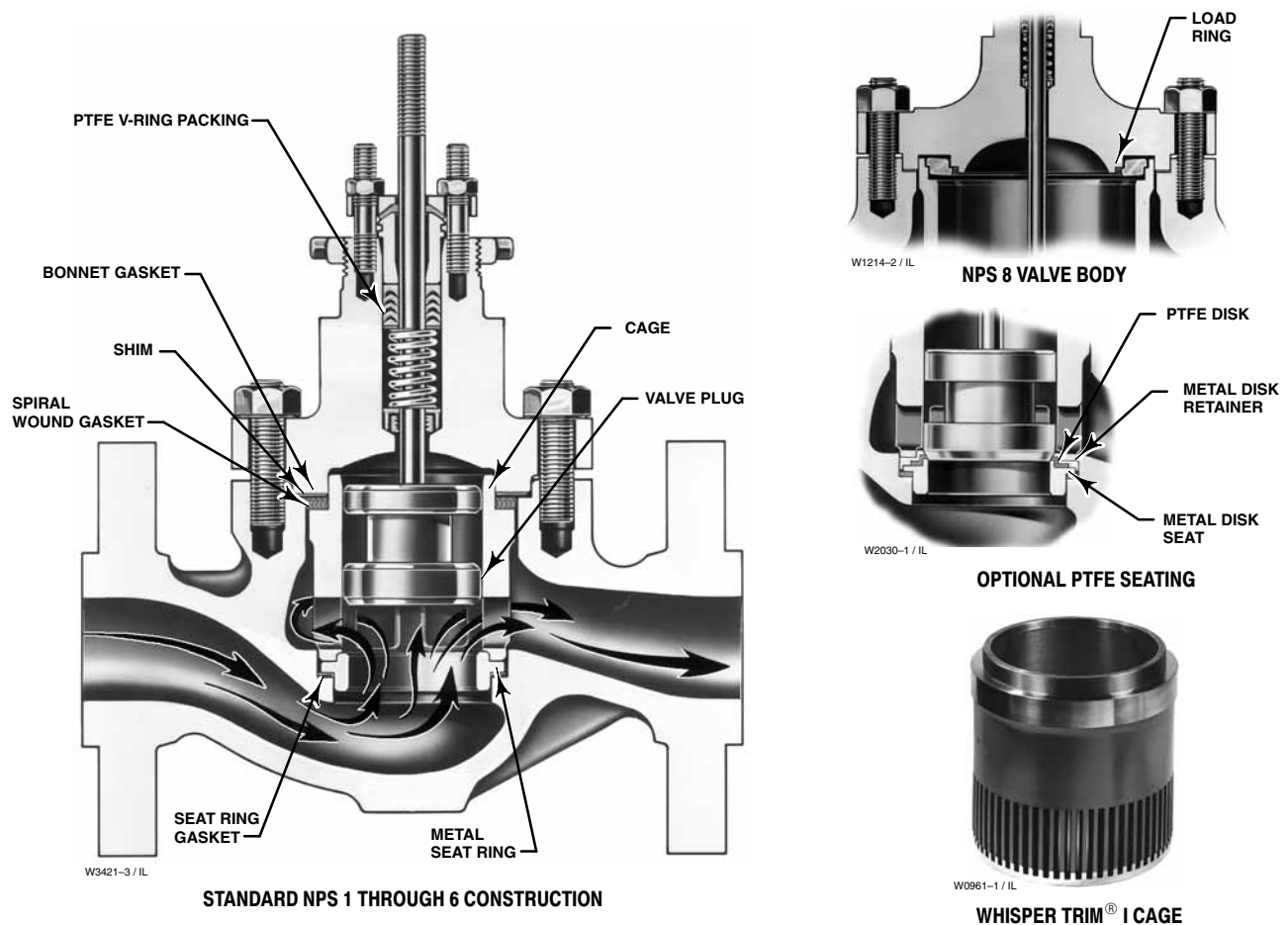


Figure 2. Design ES Sectional

Table 4. Typical Combinations of Metal Trim Parts⁽¹⁾ for all Valves Except Those for NACE Specification and Whisper Trim[®] III Cages

Trim Designation	Valve Plug	Cage	Seat Ring for Standard Metal-Seat Construction	Optional Liner (Metal-Seat Design EAS Body Only)	Disk Seat and Retainer for Optional PTFE-Seat Construction
1 (standard for metal-seat Designs ES and EAS in all body materials except CF8M)	S41600 HT	CB7Cu-1 HT	S41600 HT or CA15 HT ⁽¹⁾ (410 stainless steel)	S41600 HT	---
3	S31600 with seat and guide hard faced with CoCr-A hardfacing alloy	R30006 (alloy 6)	R30006 (alloy 6)	---	---
4	S31600	CB7Cu-1 HT	S31600	S31600	S31600
27	S31600 with seat and guide hard faced with CoCr-A hardfacing alloy	CF8M with electroless nickel coating (ENC)	R30006 (alloy 6)	---	---
28	S31600 with seat hard faced with CoCr-A hardfacing alloy				
29 (standard for CF8M bodies in all designs regardless of seat construction)	S31600	CF8M with electroless nickel coating (ENC)	S31600	S31600	S31600
37	S31600 with seat and guide hard faced with CoCr-A hardfacing alloy	CB7Cu-1 HT	R30006 (alloy 6)	---	---
57 (standard for PTFE-seat constructions in all designs and body materials except CF8M)	S41600 alloy HT	CB7Cu-1 HT	---	---	S31600

1. CA15 is used for NPS 6 and 8 full-size and restricted-trim valves.

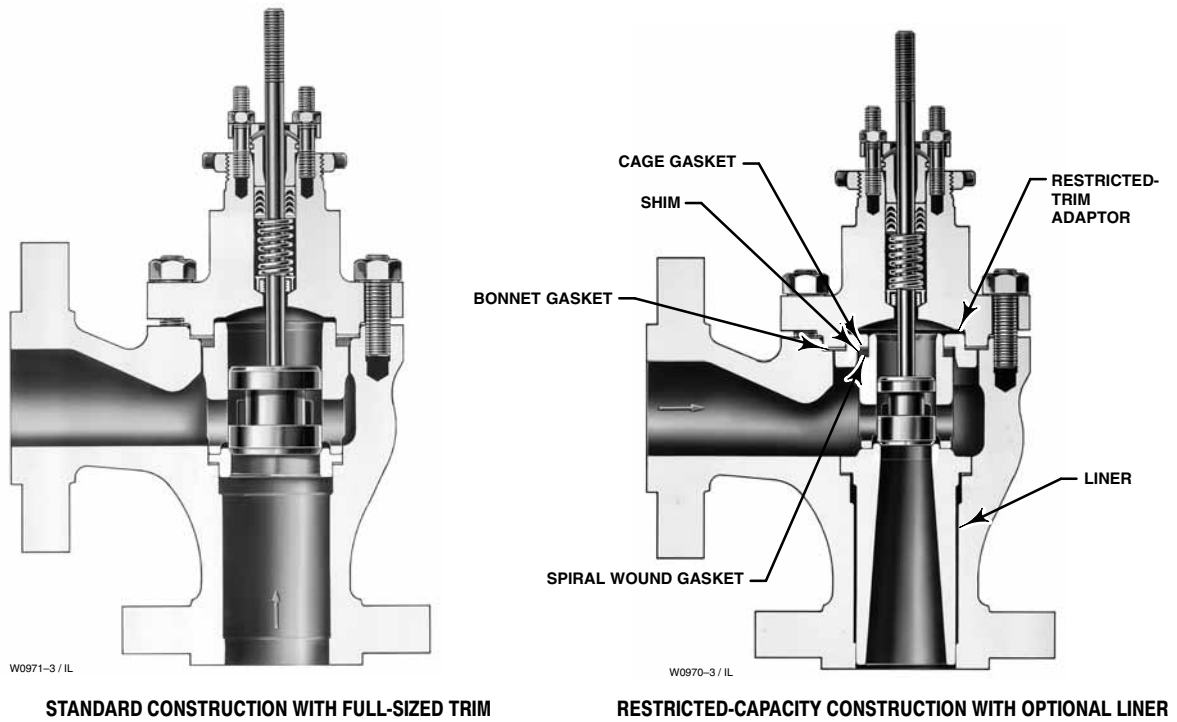


Figure 3. Design EAS Sectional

Product Bulletin

51.1:ES
September 2007

ES Valve

Table 5. Valve Body/Trim Temperature Capabilities for Metal Trim Parts Only

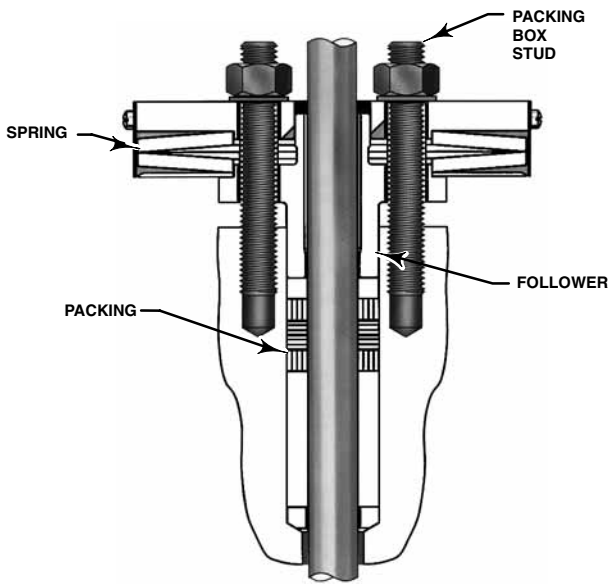
BODY/BONNET MATERIAL (ALSO FOR BOTTOM FLANGE IF USED)	TRIM DESIGNATION	VALVE SIZE AND DESIGN	MATERIAL TEMPERATURE CAPABILITY			
			°C		°F	
			Min	Max	Min	Max
Cast iron body w/ steel bonnet	1, 3, 27, 29, 37, or 57	All	-29	232	-20	450
WCC steel	1, 37, or 57	All	-29	427	-20	800
	29	All	-29	316	-20	600
	54	All	-29	260	-20	500
CF8M (316 SST)	27	All	-198 ⁽¹⁾	343	-325 ⁽¹⁾	650
	28	All	-198 ⁽¹⁾	149	-325 ⁽¹⁾	300
	29	All	-198 ⁽¹⁾	316	-325 ⁽¹⁾	600
LCC steel	1	All	-29	343	-20	650
	4	All	-46	210	-50	410
	29	All	-46	316	-50	600
	37	All	-46	343	-50	650
WC9 chrome moly steel	1, 37, or 57	All	-29	427	-20	800
	3	All	-29	566	-20	1050
	27	Through NPS 3 all designs; NPS 8 ES	-29	343	-20	650
		NPS 4 or 6 ES and EAS	-29	343	-20	650
	29	All	-29	316	-20	600

1. May be used down to -254°C (-425°F) if manufacturing process includes Charpy impact test.

Table 6. Bonnet Selection Guidelines

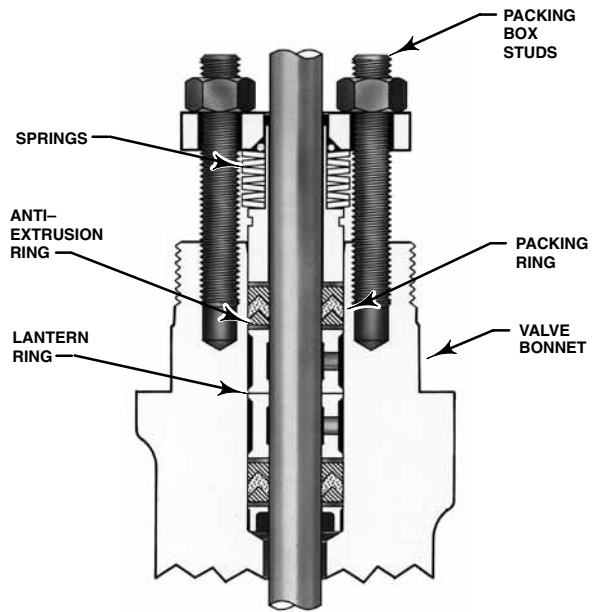
BONNET STYLE	PACKING MATERIAL	IN-BODY PROCESS TEMPERATURE LIMITS ⁽¹⁾	
		°C	°F
Plain: ■ Standard for all valves through NPS 6 with 2-13/16 yoke boss diameter ■ Standard for NPS 6 and 8 valves in cast iron and WCC steel bonnet material with 3-9/16 yoke boss diameter	PTFE V-ring	-18 to 232	0 to 450
	PTFE/Composition	-18 to 232	0 to 450
	Graphite ribbon/filament	-18 to maximum shown in table 8	0 to maximum shown in table 8
Style 1 Cast Extension: ■ Standard for NPS 8 valves in S31600 bonnet material with 3-9/16 yoke boss diameter	PTFE V-ring	-46 to 427	-50 to 800
	PTFE/Composition		
	Graphite ribbon/filament	-46 to maximum shown in table 8	-50 to maximum shown in table 8
Style 2 Cast Extension: ■ Optional for NPS 2 through 4 valves with 2-13/16 inch yoke boss diameter ■ Optional for NPS 6 and 8 valves with 3-9/16 yoke boss diameter. Not available for NPS 8 valve in S31600 bonnet material	PTFE V-ring	-101 to 427	-150 to 800
	PTFE/Composition		
	Graphite ribbon/filament	-101 to maximum shown in table 8	-150 to maximum shown in table 8
ENVIRO-SEAL bellows seal bonnet	PTFE	For exceptional stem sealing capabilities. See Bulletin 59.1:070, ENVIRO-SEAL Bellows Seal Bonnets, for pressure/temperature ratings.	For exceptional stem sealing capabilities. See Bulletin 59.1:070, ENVIRO-SEAL Bellows Seal Bonnets, for pressure/temperature ratings.
	Graphite ULF		

1. These in-body process temperatures assume an outside, ambient temperature of 21°C (70°F) and no insulation on the bonnet. When using any packing at low process temperatures, a cast extension bonnet may have to be used to prevent packing damage which could result from the formation of valve stem frost. Material selection for trim and other components will also be limiting factors.



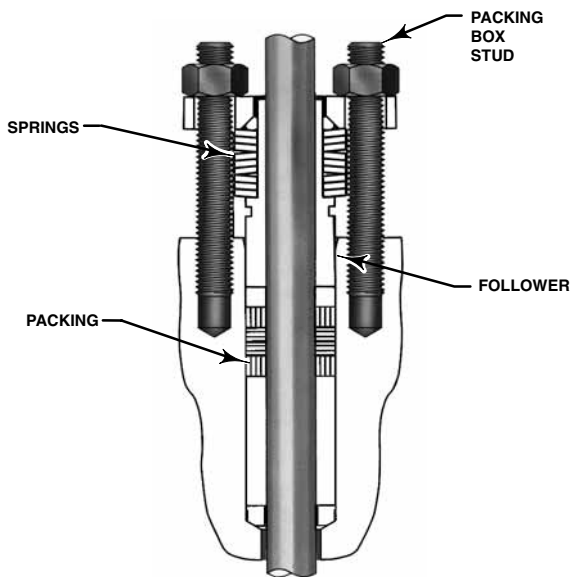
W8533-1

**TYPICAL HIGH-SEAL PACKING SYSTEM
WITH GRAPHITE ULF PACKING**



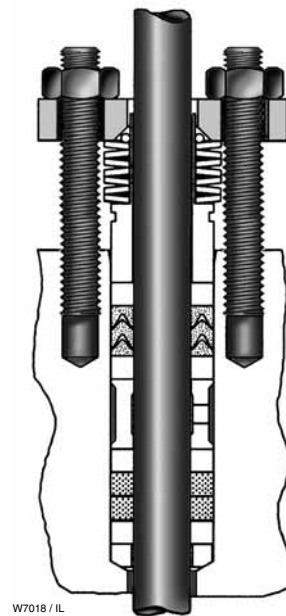
W5803-3 / IL

**TYPICAL ENVIRO-SEAL PACKING SYSTEM
WITH PTFE PACKING**



W8532-1

**TYPICAL ENVIRO-SEAL PACKING SYSTEM
WITH GRAPHITE ULF PACKING**



W7018 / IL

**TYPICAL ENVIRO-SEAL PACKING SYSTEM
WITH DUPLEX PACKING**

Figure 4. ENVIRO-SEAL® and HIGH-SEAL Packing Systems

Product Bulletin

51.1:ES
September 2007

ES Valve

Table 7. Maximum Flow Coefficients for Full-Sized Trim with Equal Percentage Cage and Normal Flow Direction⁽¹⁾

Valve Design	Valve Size, NPS	C _v at Max Valve Plug Travel
ES	1/2	6.53 ⁽²⁾
	3/4	14.2 ⁽²⁾
	1, 1-1/4	17.4
	1-1/2	33.4
	2	56.2
	2-1/2	82.7
	3	121
	4	203
EAS (flow down)	6	357
	8	808
	1	19.0
	2	47.2
EAS (flow down)	3	148
	4	156
	6	328

1. Except where indicated. Flow coefficients for linear and quick-opening cages normally are somewhat greater.
2. Quick-opening cage.



W5852/IL

Figure 5. ENVIRO-SEAL[®] Bellows Seal Bonnet

Table 8. Materials and Temperature Limits for All Other Parts

PART			MATERIAL	MATERIAL TEMPERATURE CAPABILITIES			
				°C		°F	
				Minimum	Maximum	Minimum	Maximum
Body-to-bonnet bolting. See table 10 for NACE bolting materials and temperatures	Cast iron body	Cap screws	Steel SAE Grade 5	-29	232	-20	450
	WCC or WC9 body	Studs	Steel SA-193-B7	-29	427 ⁽¹⁾	-20	800 ⁽¹⁾
		Nuts	Steel SA-194-2H				
	316 stainless steel (CF8M)	Studs	Steel SA-193-B7 (std)	-48	427 ⁽¹⁾	-55	800 ⁽¹⁾
			Steel SA-194-2H (std)				
		Studs	304 stainless steel SA-320-B8	-198	38	-325	100
			304 stainless steel SA-194-8				
		Studs	316 stainless steel SA-193-B8M (strain-hardened)	-198 ⁽²⁾	427 ⁽¹⁾	-325 ⁽²⁾	800 ⁽¹⁾
			316 stainless steel SA-194-8M				
	Studs	316 stainless steel SA-194-B8M (annealed)	-198 ⁽²⁾	These materials not limiting factors	-325 ⁽²⁾	These materials not limiting factors	
		316 stainless steel SA-194-8M					
	LCC body	Studs	Steel SA-193-B7	-46	343 ⁽¹⁾	-50	650 ⁽¹⁾
		Nuts	Steel SA-194-2H				
WC9 body	Studs	Steel SA-193-B16	-29	566 ⁽¹⁾	-20	1050 ⁽¹⁾	
	Nuts	Steel SA-194-7					
Optional disk			PTFE	-73	204	-100	400
Valve plug stem			316 stainless steel	-198 ⁽²⁾	593	-325 ⁽²⁾	1100
Pin (Design ES or EAS valve only)			316 stainless steel				
Load ring	(NPS 8 Design ES valve only)	17-4PH stainless steel	-101	316	-150	600	
		N06600	-254	593	-425	1100	
		N05500 Nickel Alloy	-240	260	-400	500	
Restricted trim adaptors	Cast iron		-73	232	-100	450	
	WCC steel		-29	427	-20	800	
	316 stainless steel		-198 ⁽²⁾	593	-325 ⁽²⁾	1100	
Seat ring, bonnet, and cage gaskets	Flexible Graphite (standard)		-198	593 ⁽³⁾	-325	1100 ⁽³⁾	
	PTFE-coated N04400 Nickel Alloy		-73	149	-100	300	
Spiral wound gaskets	N06600 Nickel Alloy 600/graphite (Flexible Graphite) standard		-198	593 ⁽³⁾	-325	1100 ⁽³⁾	
	N04400 Nickel Alloy/composition		-73	232	-100	450	
Shim	316 stainless steel		These materials not limiting factors				
	N04400 Nickel Alloy		These materials not limiting factors				
Packing	(temperatures shown are material temperature capabilities)	See table 6 for proper bonnet selection	PTFE V-ring	-40	232	-40	450
			PTFE/composition	-73	232	-100	450
			Graphite ribbon/filament	-198	538 ⁽⁴⁾	-325	1000 ⁽⁴⁾
			Graphite ribbon for high-temperature oxidizing service	371	649	700	1200
Packing flange studs, and nuts when used with standard bonnet			316 stainless steel	-198 ⁽²⁾	593	-325 ⁽²⁾	1100
Packing follower and packing spring (single PTFE V-ring packing) or lantern ring (other packing arrangements)			316 stainless steel	-198 ⁽²⁾	593	-325 ⁽²⁾	1100
Packing box ring			316 stainless steel	-198 ⁽²⁾	593	-325 ⁽²⁾	1100
Extension bonnet bushing	Trims 1 & 4		416 stainless steel	-29	427	-20	800
	Other trims		316 stainless steel	-198 ⁽²⁾	593	-325 ⁽²⁾	1100

1. Lubricated nuts are standard.
 2. May be used down to -254°C (-425°F) if manufacturing process includes Charpy impact test.
 3. Except 427°C (800°F) on oxidizing service.
 4. Except 371°C (700°F) on oxidizing service.

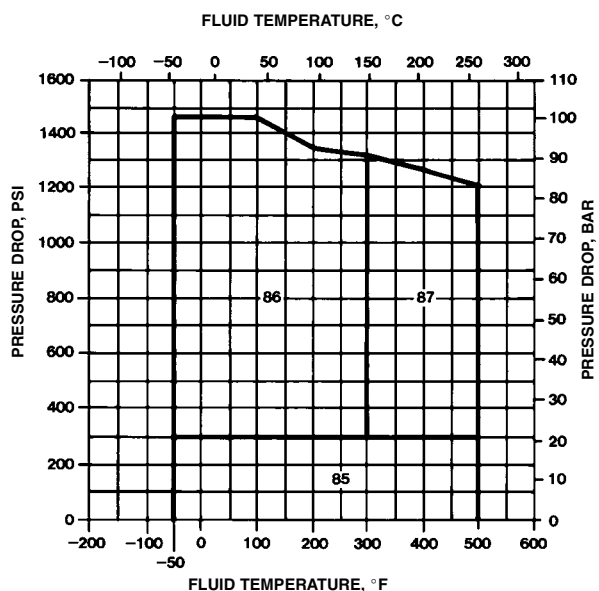
Product Bulletin

51.1:ES
September 2007

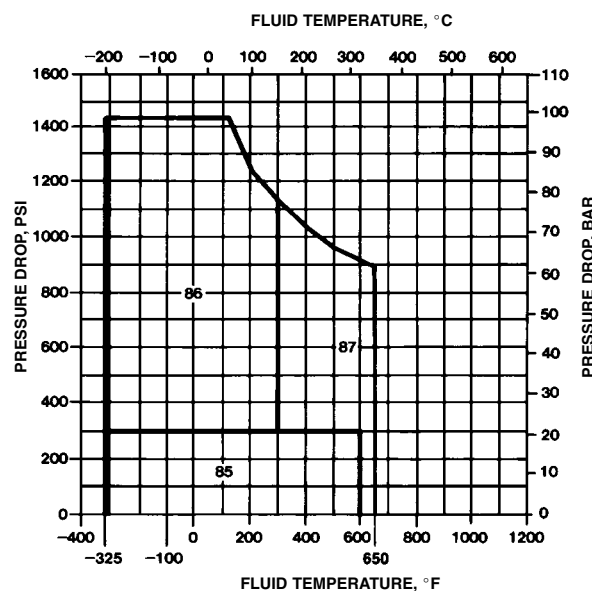
ES Valve

Table 9. Metal Trim Part Materials for Compatibility with NACE MR0175-2002 (Sour Service) Specifications, Environmental Restrictions Apply, Refer to Standard

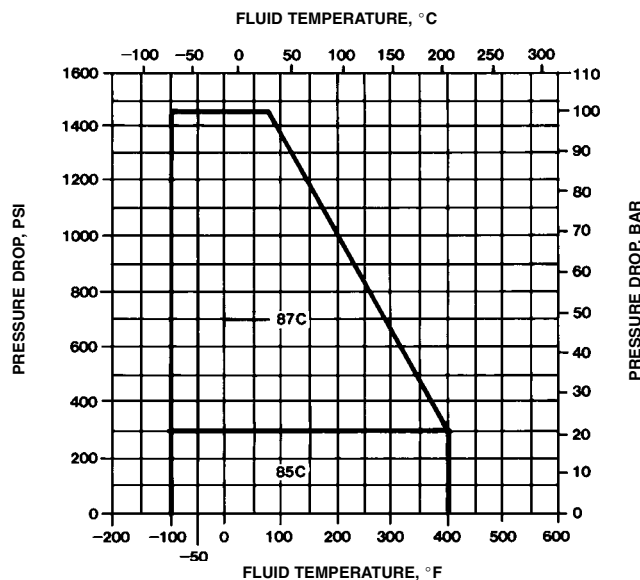
Trim Designation	Valve Plug	Cage	Seat Ring for Standard Metal Seat Construction	Optional Liner for Metal Seat (EAS only)	Disk Seat and Retainer for Optional PTFE-Seat Construction	Valve Stem, Packing Follower, Lantern Ring, Packing Box Ring, and Pin	Load Ring ⁽¹⁾
85	S31600	S31600 with electroless nickel coating (ENC)	S31600	S31600	---	Valve stem is S20910 All other parts are S31600	N05500
85C ⁽²⁾	S31600	S31600 with electroless nickel coating (ENC)	---	---	S31600		
86	S31600 with seat hard faced with CoCr-A hard facing alloy	S31600 with electroless nickel coating (ENC)	R30006 (alloy 6)	---	---		
87	S31600 with seat and guide hard faced with CoCr-A hard facing alloy	S31600 with electroless nickel coating (ENC)	R30006 (alloy 6)	---	---		
87C ⁽²⁾	S31600 with seat and guide hard faced with CoCr-A hard facing alloy	S31600 with electroless nickel coating (ENC)	---	---	S31600		
<p>1. NPS 8 valve only. 2. 85C and 87C are trims for PTFE-seat construction.</p>							



FOR STANDARD METAL SEATING WITH CL600 WCC OR LCC BODY



FOR STANDARD METAL SEATING WITH CL600 316 STAINLESS STEEL (CF8M) BODY



FOR OPTIONAL PTFE SEATING WITH ALL BODY MATERIALS

NOTE:

DO NOT EXCEED THE MAXIMUM PRESSURE AND TEMPERATURE FOR THE PRESSURE RATING OF THE VALVE BODY MATERIAL USED, EVEN THOUGH THE TRIMS SHOWN MAY HAVE HIGHER CAPABILITIES.

C0575-3/IL

Figure 6. Typical Trim Used for NACE MR0175-2002, (Sour Service)

Table 10. Bolting Materials and Temperature Limits for Bolting Compliance with NACE MR0175-2002

VALVE BODY MATERIAL	BOLTING MATERIAL		TEMPERATURE CAPABILITIES			
			°C		°F	
			Min	Max	Min	Max
NACE MR0175-2002 (non-exposed bolting) (Standard)						
WCC and CF8M (316 SST)	Studs	Steel SA-193-B7	-48 ⁽²⁾	427	-55 ⁽²⁾	800
	Nuts	Steel SA-194-2H				
NACE MR0175-2002 (exposed bolting) (Optional)						
Requires Derating of Valve⁽¹⁾ When These Body-to-Body Bolting Materials are Used						
WCC and CF8M	Studs	Steel SA-193-B7M	-48 ⁽²⁾	427	-55 ⁽²⁾	800
	Nuts	Steel SA-194-2HM				

1. Derating is not required for CL300 valves. Derating may be required for valves rated at CL600. Contact your Emerson Process Management™ sales office for assistance in determining the derating of valves when these body-to-bonnet bolting materials are used.
2. WCC is limited to -29°C (-20°F).

Table 11. Port Diameters, Valve Plug Travel, and Stem and Yoke Boss Diameters

VALVE SIZE, NPS				PORT DIAMETER		MAX VALVE PLUG TRAVEL		STEM AND YOKE BOSS DIAMETERS							
Design ES		Design EAS						Standard				Optional			
Full-Sized Trim	Restricted-Capacity Trim	Full-Sized Trim	Restricted-Capacity Trim	mm	Inch	mm	Inch	Stem		Yoke Boss		Stem		Yoke Boss	
								mm	Inch	mm	Inch	mm	Inch	mm	Inch
1 or 1-1/4	1-1/2	1	2	33.3	1.3125	19	0.75	9.5	3/8	54	2-1/8	12.7	1/2	71	2-13/16
---	2	---	---	33.3	1.3125	19	0.75	12.7	1/2	71	2-13/16	---	---	---	---
1-1/2	---	2	---	47.6	1.875	19	0.75	9.5	3/8	54	2-1/8	12.7	1/2	71	2-13/16
---	2-1/2	---	3	47.6	1.875	19	0.75	12.7	1/2	71	2-13/16	---	---	---	---
2	3	---	4	58.7	2.3125	29	1.125	12.7	1/2	71	2-13/16	19.1	3/4	90	3-9/16
2-1/2	4	3	6	73.0	2.875	38	1.5	12.7	1/2	71	2-13/16	19.1	3/4	90	3-9/16
3	---	4	---	87.3	3.4375	38	1.5	12.7	1/2	71	2-13/16	19.1	3/4	90	3-9/16
4	---	6	---	111.1	4.375	51	2	12.7	1/2	71	2-13/16	19.1	3/4	90	3-9/16
6	---	---	---	177.8	7	51	2	19.1	3/4	90	3-9/16	25.4	1	127	5
8	---	---	---	203.2	8	51	2	19.1	3/4	90	3-9/16	25.4 or 31.8	1 or 1-1/4	127	5
						76	3								

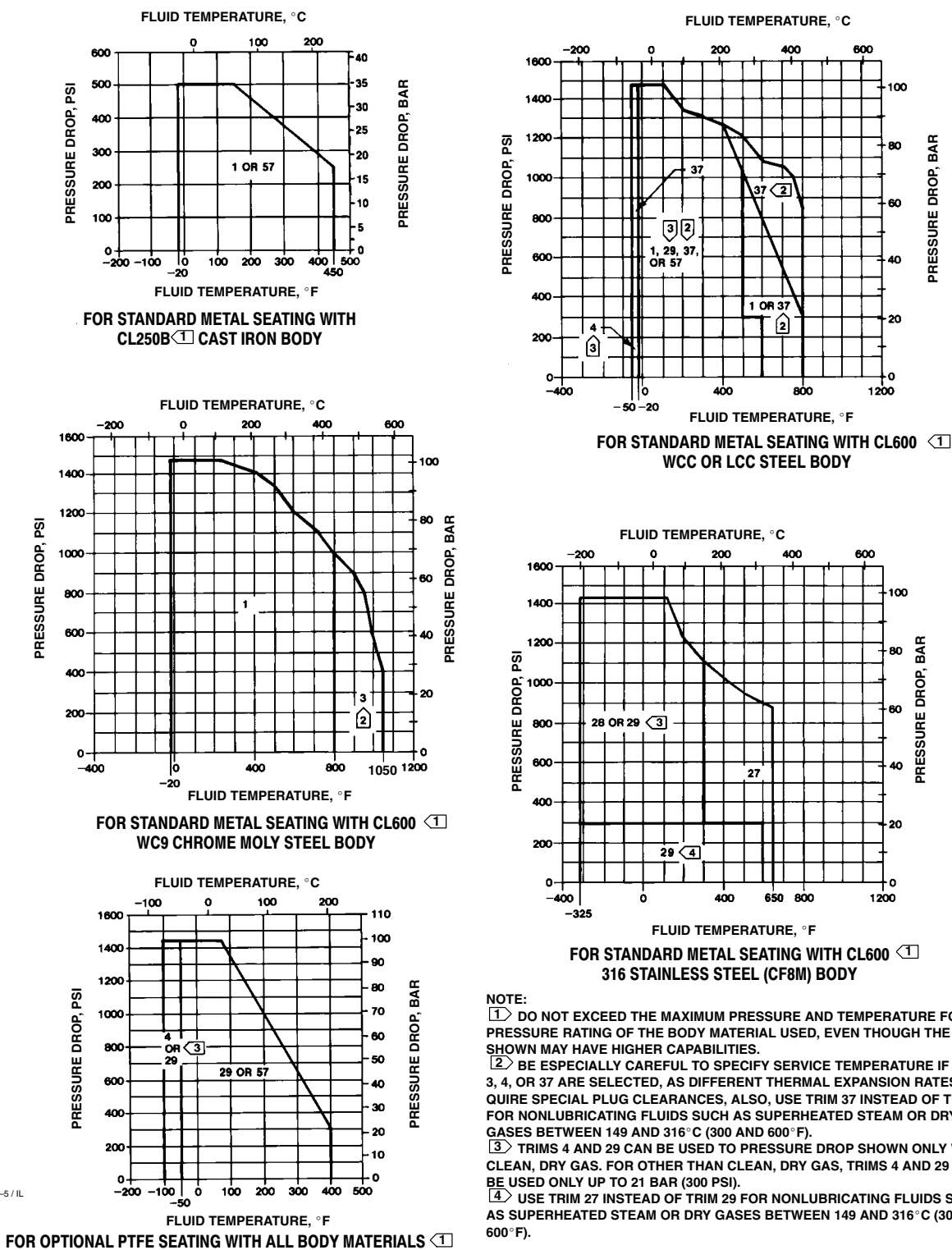


Figure 7. Typical Trim Use for All Valve Bodies Except Those for NACE Specifications

Product Bulletin

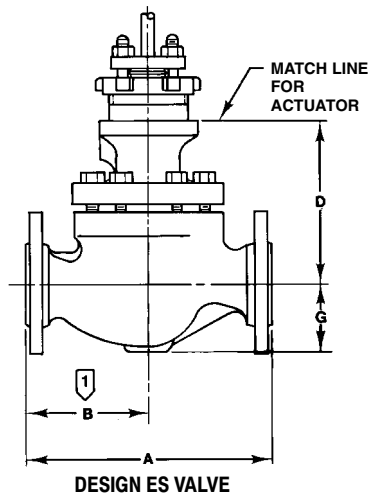
51.1:ES
September 2007

ES Valve

Table 12. Design ES Dimensions

VALVE SIZE, NPS	A									G(MAX)
	Scrd or SW	125 FF or 150 RF	150 RTJ	250 RF or 300 RF	300 RTJ	BW or 600 RF	600 RTJ	PN 16-40 ⁽¹⁾	PN 63-100 ⁽¹⁾	Design ES
mm										
1/2, 3/4	165	---	---	---	---	---	---	---	---	54
1	210	184	197	197	210	210	210	160	230	56
1-1/4	229	---	---	---	---	---	---	---	---	56
1-1/2	251	222	235	235	248	251	251	200	260	71
2	286	254	267	267	282	286	289	230	300	78
2-1/2	---	276	292	292	308	311	314	290	340	90
3	---	298	311	317	333	337	340	310	380	97
4	---	353	365	368	384	394	397	350	430	129
6	---	451	464	473	489	508	511	480	550	162
8	---	543	556	568	584	610	613	600	650	191
Inches										
1/2, 3/4	6.50	---	---	---	---	---	---	---	---	2.12
1	8.25	7.25	7.75	7.75	8.25	8.25	8.25	---	---	2.38
1-1/4	9.00	---	---	---	---	---	---	---	---	2.38
1-1/2	9.88	8.75	9.25	9.25	9.75	9.88	9.88	See mm above	See mm above	2.81
2	11.25	10.00	10.50	10.50	11.12	11.25	11.38			3.06
2-1/2	---	10.88	11.38	11.50	12.12	12.25	12.38	See mm above	See mm above	3.56
3	---	11.75	12.25	12.50	13.12	13.25	13.38			3.81
4	---	13.88	14.38	14.50	15.12	15.50	15.62			5.06
6	---	17.75	18.25	18.62	19.25	20.00	20.12			6.38
8	---	21.38	21.88	22.38	23.00	24.00	24.12			7.50

1. Valves which meet EN flange standards and have DN face-to-face dimensions are available only from Europe. Valves which meet EN flange standards but not DN face-to-face standards are available in the US. Consult your Emerson Process Management sales office.



NOTE:
① B = $\frac{A}{2}$

AR4967-A
10A7397-B
B1534-1 / IL

Figure 8. Design ES Dimensions (also see tables 12, 13, and 14)

Table 13. Design ES Dimensions

VALVE SIZE, NPS	D FOR PLAIN BONNET			
	Design ES			
	Stem Diameter			
	mm			
	9.5	12.7	19.1	25.4 or 31.8
1/2, 3/4, 1, 1-1/4	127	149	---	---
1-1/2	124	146	---	---
2	---	165	162	---
2-1/2	---	187	184	---
3	---	191	187	---
4	---	221	217	238
6	---	---	251	270
8	---	---	375 ⁽¹⁾	426
	Inches			
	3/8	1/2	3/4	1 or 1-1/4
1/2, 3/4, 1, 1-1/4	5.00	5.88	---	---
1-1/2	4.88	5.75	---	---
2	---	6.50	6.38	---
2-1/2	---	7.38	7.25	---
3	---	7.50	7.38	---
4	---	8.69	8.56	9.38
6	---	---	9.88	10.62
8	---	---	14.75 ⁽¹⁾	16.75

1. Available only in cast iron or WCC steel for the stem diameter with plain bonnet.

Table 14. Design ES Dimensions

VALVE SIZE, NPS	D FOR EXTENSION AND ENVIRO-SEAL BELLOWS SEAL BONNETS (DESIGN ES ONLY)									
	Style 1 Ext. Bonnet				Style 2 Ext. Bonnet			ENVIRO-SEAL Bellows Seal Bonnet		
	Stem Diameter				Stem Diameter			Stem Diameter		
	mm									
	9.5	12.7	19.1	25.4 or 31.8	9.5	12.7	19.1	9.5	12.7	19.1
1/2, 3/4, 1, 1-1/4	213	251	---	---	303	319	---	321	---	---
1-1/2	210	248	---	---	300	316	---	317	---	---
2	---	267	---	---	---	465	---	---	384	---
2-1/2	---	289	272	---	---	492	---	---	---	---
3	---	292	297	---	---	495	487	---	518	518
4	---	322	327	370	---	526	518	---	541	---
6	---	---	357	402	---	---	543	---	---	573
8	---	---	421	450	---	---	621	---	---	---
	Inches									
	3/8	1/2	3/4	1 or 1-1/4	3/8	1/2	3/4	3/8	1/2	3/4
1/2, 3/4, 1, 1-1/4	8.38	9.88	---	---	11.94	12.56	---	12.62	---	---
1-1/2	8.25	9.75	---	---	11.81	12.44	---	12.50	---	---
2	---	10.50	---	---	---	18.31	---	---	15.12	---
2-1/2	---	11.38	10.69	---	---	19.38	---	---	---	---
3	---	11.50	11.69	---	---	19.50	19.19	---	20.38	20.38
4	---	12.69	12.88	14.56	---	20.69	20.38	---	21.31	---
6	---	---	14.06	15.81	---	---	21.38	---	---	22.56
8	---	---	16.56	17.75	---	---	24.44	---	---	---

Product Bulletin

51.1:ES
September 2007

ES Valve

Table 15. Design EAS Dimensions

VALVE SIZE, NPS	AA					
	CL150		CL300		CL600	
	RF	RTJ	RF	RTJ	BW, SW, or RF	RTJ
	mm					
1	92	98	98	105	105	105
2	127	133	133	141	143	144
3	149	156	159	167	168	170
4	176	183	184	197	197	198
6	225	232	237	244	254	256
Inches						
1	3.62	3.88	3.88	4.12	4.12	4.12
2	5.00	5.25	5.25	5.56	5.62	5.69
3	5.88	6.12	6.25	6.56	6.62	6.69
4	6.94	7.19	7.25	7.56	7.75	7.81
6	8.88	9.12	9.31	9.62	10.00	10.06

NOTE:
FOR DIMENSIONS OF VALVES WITH EN (OR OTHER) END CONNECTIONS, CONSULT YOUR EMERSON SALES OFFICE.

AUG190-A
A0927-1 / IL

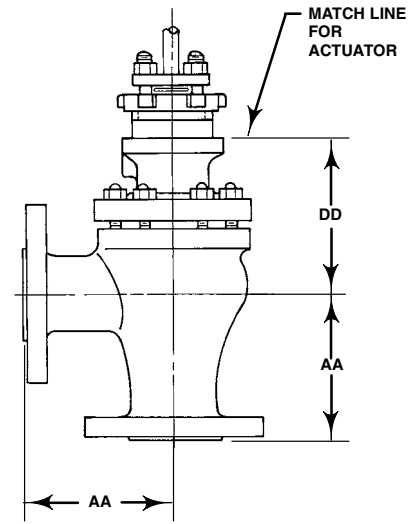


Figure 9. Design EAS Dimensions
(also see tables 15 and 16)

Table 16. Design EAS Dimensions

VALVE SIZE, NPS	DD												
	Plain Bonnet				Style 1 Extension Bonnet			Style 2 Extension Bonnet			ENVIRO-SEAL Bellows Seal Bonnet		
	Stem Diameter												
	mm												
	9.5	12.7	19.1	25.4 or 31.8	9.5	12.7	19.1	9.5	12.7	19.1	9.5	12.7	19.1
1	111	133	---	---	197	235	---	291	305	---	Contact your nearest Emerson sales office		
2	98	121	---	---	184	223	---	278	291	---			
3	---	149	146	---	---	251	256	---	454	---			
4	---	140	137	---	---	241	246	---	445	437			
6	---	144	141	187	---	246	251	---	449	441			
Inches													
	3/8	1/2	3/4	1 or 1-1/4	3/8	1/2	3/4	3/8	1/2	3/4	3/8	1/2	3/4
1	4.38	5.25	---	---	7.75	9.25	---	11.44	12.00	---	Contact your nearest Emerson sales office		
2	3.88	4.75	---	---	7.25	8.75	---	10.94	11.44	---			
3	---	5.88	5.75	---	---	9.88	10.06	---	17.88	---			
4	---	5.50	5.38	---	---	9.50	9.69	---	17.50	17.19			
6	---	5.69	5.56	7.38	---	9.69	9.88	---	17.69	17.38			

Coefficients

Table 17. Design ES, CL125 to 600, Quick Opening Cage

Quick Opening - Flow Up																	Quick Opening Characteristic
Valve Size, NPS	Port Diameter		Maximum Travel		Flow Coefficient	Valve Opening—Percent of Total Travel											F _L ⁽³⁾
	mm	Inches	mm ⁽¹⁾	Inches ⁽¹⁾		Coeffs. for 6 mm (0.25 in.) Travel ⁽²⁾	10	20	30	40	50	60	70	80	90	100	
1/2	33.3	1.3125	19	0.75	C _V	6.27	4.00	5.63	6.22	6.35	6.44	6.48	6.52	6.53	6.53	6.53	0.88
					K _V	5.42	3.46	4.87	5.38	5.49	5.57	5.61	5.64	5.65	5.65	5.65	---
					X _T	0.665	0.681	0.711	0.653	0.651	0.640	0.632	0.624	0.622	0.622	0.622	---
3/4	33.3	1.3125	19	0.75	C _V	12.3	4.94	8.80	11.8	13.1	13.8	14.1	14.2	14.2	14.2	14.2	0.83
					K _V	10.6	4.27	7.61	10.2	11.3	11.9	12.2	12.3	12.3	12.3	12.3	---
					X _T	0.593	0.576	0.688	0.605	0.571	0.552	0.539	0.534	0.534	0.534	0.534	---
1 & 1-1/4	33.3	1.3125	19	0.75	C _V	16.3	5.24	10.0	15.0	18.4	20.3	21.0	21.1	21.3	21.4	21.4	0.89
					K _V	14.1	4.53	8.65	13.0	15.9	17.6	18.2	18.3	18.4	18.5	18.5	---
					X _T	0.661	0.540	0.664	0.656	0.660	0.641	0.650	0.663	0.654	0.648	0.650	---
1-1/2	47.6	1.875	19	0.75	C _V	24.4	7.60	15.1	22.3	28.2	33.4	37.0	38.0	38.0	38.0	38.0	0.94
					K _V	21.1	6.57	13.1	19.3	24.4	28.9	32.0	32.9	32.9	32.9	32.9	---
					X _T	0.645	0.577	0.613	0.639	0.684	0.703	0.713	0.743	0.777	0.789	0.789	---
	33.3 ⁽⁴⁾	1.3125 ⁽⁴⁾	19	0.75	C _V	18.0	4.83	10.4	16.2	21.4	25.6	28.2	29.8	30.2	30.3	30.4	0.94
					K _V	15.6	4.18	9.00	14.0	18.5	22.1	24.4	25.8	26.1	26.2	26.3	---
					X _T	0.605	0.611	0.607	0.588	0.598	0.610	0.651	0.666	0.699	0.708	0.717	---
2	58.7	2.3125	29	1.125	C _V	35.3	14.3	31.1	48.6	59.3	65.2	67.2	67.2	67.2	67.2	67.2	0.93
					K _V	30.5	12.4	26.9	42.0	51.3	56.4	58.1	58.1	58.1	58.1	58.1	---
					X _T	0.607	0.633	0.627	0.619	0.732	0.758	0.771	0.797	0.810	0.810	0.810	---
	33.3 ⁽⁴⁾	1.3125 ⁽⁴⁾	19	0.75	C _V	18.6	5.12	10.5	16.7	22.2	26.9	30.9	33.9	36.3	38.1	39.4	0.91
					K _V	16.1	4.43	9.08	14.4	19.2	23.3	26.7	29.3	31.4	33.0	34.1	---
					X _T	0.560	0.588	0.617	0.565	0.571	0.640	0.722	0.796	0.826	0.785	0.734	---
2-1/2	73.0	2.875	38	1.5	C _V	35.3	21.8	42.0	66.6	83.8	91.1	93.1	93.1	93.1	93.1	93.1	0.91
					K _V	30.5	18.9	36.3	57.6	72.5	78.8	80.5	80.5	80.5	80.5	80.5	---
					X _T	0.675	0.659	0.684	0.720	0.790	0.795	0.827	0.848	0.868	0.868	0.868	---
	47.6 ⁽⁴⁾	1.875 ⁽⁴⁾	19	0.75	C _V	26.1	7.40	15.5	23.3	31.4	39.8	48.4	56.1	61.7	62.3	69.2	0.95
					K _V	22.6	6.40	13.4	20.2	27.2	34.4	41.9	48.5	53.4	53.9	59.9	---
					X _T	0.609	0.636	0.599	0.612	0.619	0.692	0.747	0.824	0.859	0.842	---	---
3	87.3	3.4375	38	1.5	C _V	37.4	23.3	45.5	78.3	106	120	130	136	143	146	150	0.87
					K _V	32.4	20.2	39.4	67.7	91.7	104	112	118	124	126	130	---
					X _T	0.590	0.585	0.592	0.602	0.685	0.740	0.726	0.737	0.731	0.733	0.720	---
	58.7 ⁽⁴⁾	2.3125 ⁽⁴⁾	29	1.125	C _V	36.3	14.7	32.4	51.2	68.8	83.1	94.3	103	108	112	115	0.91
					K _V	31.4	12.7	28.0	44.3	59.5	71.9	81.6	89.1	93.4	96.9	99.5	---
					X _T	0.564	0.609	0.565	0.565	0.593	0.679	0.729	0.751	0.774	0.785	0.752	---

-continued-

Table 17. Design ES, CL125 to 600, Quick Opening Cage (continued)

Valve Size, NPS	Port Diameter		Maximum Travel		Flow Coefficient	Valve Opening—Percent of Total Travel											F _L ⁽³⁾
	mm	Inches	mm ⁽¹⁾	Inches ⁽¹⁾		Coeffs. for 6 mm (0.25 in.) Travel ⁽²⁾	10	20	30	40	50	60	70	80	90	100	
4	111.1	4.375	51	2	C _V	46.3	39.0	77.3	132	174	198	215	225	230	234	235	0.89
					K _V	40.0	33.7	66.9	114	151	171	186	195	199	202	203	---
					X _T	0.647	0.642	0.691	0.714	0.763	0.768	0.763	0.769	0.775	0.783	0.780	---
	73.0 (4)	2.875 (4)	38	1.5	C _V	41.2	26.9	47.2	76.4	108	135	156	169	178	181	183	0.88
					K _V	35.6	23.3	40.8	66.1	93.4	117	135	146	154	157	158	---
					X _T	0.613	0.524	0.683	0.669	0.664	0.688	0.741	0.783	0.763	0.752	0.736	---
6	177.8	7	51	2	C _V	102	89.9	162	255	322	365	395	418	436	455	469	0.82
					K _V	88.2	77.8	140	221	279	316	342	362	377	394	406	---
					X _T	0.642	0.572	0.612	0.601	0.652	0.664	0.677	0.681	0.701	0.698	0.700	---
	111.1 (4)	4.375 (4)	51	2	C _V	66.1	49.8	108	164	217	255	274	282	290	291	302	0.90
					K _V	57.2	43.1	93.4	142	188	221	237	244	251	252	261	---
					X _T	0.667	0.711	0.630	0.619	0.650	0.724	0.814	0.883	0.883	0.909	0.860	---
8	203.2	8	51	2	C _V	122	94.4	205	323	441	539	622	677	720	759	787	0.85
					K _V	106	81.7	177	279	381	466	538	586	623	657	681	---
					X _T	0.616	0.683	0.607	0.575	0.603	0.682	0.726	0.772	0.809	0.814	0.814	---
	203.2	8	76	3	C _V	122	156	337	490	612	700	759	796	827	844	875	0.85
					K _V	106	135	292	424	529	606	657	689	715	730	757	---
					X _T	0.616	0.520	0.561	0.654	0.757	0.804	0.814	0.818	0.801	0.810	0.774	---

1. When using Type 655-EC as a control valve for on-off service, the maximum travel for sizing purposes is 19 mm (0.75 inch),
 2. When sizing self-operated regulators, use coefficients listed for 6 mm (0.25 inch) travel.
 3. At 100% travel.
 4. Restricted trim

Table 18. Design ES, CL125 to 600, Linear Cage

Linear - Flow Up															Linear Characteristic	
Valve Size, NPS	Port Diameter		Maximum Travel		Flow Coefficient	Valve Opening—Percent of Total Travel										F _L ⁽¹⁾
	mm	Inches	mm	Inches		10	20	30	40	50	60	70	80	90	100	
1 & 1-1/4	33.3	1.3125	19	0.75	C _v	2.27	4.12	6.23	8.54	11.0	13.4	15.8	17.8	19.3	20.1	0.89
					K _v	1.96	3.56	5.39	7.39	9.52	11.6	13.7	15.4	16.7	17.4	---
					X _T	0.691	0.691	0.690	0.696	0.696	0.708	0.709	0.705	0.702	0.690	---
1-1/2	47.6	1.875	19	0.75	C _v	3.56	7.01	11.1	15.1	19.0	22.9	26.7	30.0	33.1	34.9	0.92
					K _v	3.08	6.06	9.60	13.1	16.4	19.8	23.1	25.9	28.6	30.2	---
					X _T	0.628	0.582	0.604	0.647	0.683	0.699	0.715	0.737	0.741	0.764	---
	33.3 (3)	1.3125 (3)	19	0.75	C _v	2.42	4.30	6.40	8.77	11.5	14.6	17.8	21.1	24.3	26.9	0.95
					K _v	2.09	3.72	5.54	7.59	9.95	12.6	15.4	18.3	21.0	23.3	---
					X _T	0.648	0.682	0.712	0.693	0.664	0.678	0.701	0.732	0.756	0.799	---
2	58.7	2.3125	29	1.125	C _v	8.49	17.1	25.9	35.3	44.4	52.9	59.2	62.0	63.9	65.3	0.91
					K _v	7.34	14.8	22.4	30.5	38.4	45.8	51.2	53.6	55.3	56.5	---
					X _T	0.618	0.635	0.689	0.710	0.723	0.732	0.742	0.759	0.761	0.762	---
	33.3 (3)	1.3125 (3)	19	0.75	C _v	2.22	4.11	6.06	8.25	11.0	14.3	18.0	21.8	26.0	30.9	0.91
					K _v	1.92	3.56	5.24	7.14	9.52	12.4	15.6	18.9	22.5	26.7	---
					X _T	0.725	0.694	0.729	0.746	0.688	0.675	0.667	0.686	0.711	0.722	---
2-1/2	73.0	2.875	38	1.5	C _v	10.4	22.2	34.9	47.1	58.2	66.6	73.7	79.3	84.4	86.5	0.93
					K _v	9.00	19.2	30.2	40.7	50.3	57.6	63.8	68.6	73.0	74.8	---
					X _T	0.672	0.727	0.739	0.776	0.783	0.832	0.858	0.877	0.854	0.866	---
	47.6 (3)	1.875 (3)	19	0.75	C _v	3.50	6.85	10.8	14.8	18.9	23.3	28.2	34.1	41.1	48.6	0.93
					K _v	3.03	5.93	9.34	12.8	16.3	20.2	24.4	29.5	35.6	42.0	---
					X _T	0.617	0.627	0.679	0.716	0.740	0.752	0.783	0.774	0.778	0.783	---
3	87.3	3.4375	38	1.5	C _v	15.3	34.3	52.8	71.4	87.8	101	112	121	129	135	0.89
					K _v	13.2	29.7	45.7	61.8	75.9	87.4	96.9	105	112	117	---
					X _T	0.607	0.631	0.663	0.694	0.720	0.742	0.762	0.786	0.771	0.751	---
	58.7 (3)	2.3125 (3)	29	1.125	C _v	6.39	13.0	20.7	29.1	38.2	47.9	58.0	68.4	79.3	88.8	0.91
					K _v	5.53	11.2	17.9	25.2	33.0	41.4	50.2	59.2	68.6	76.8	---
					X _T	0.662	0.677	0.704	0.677	0.648	0.646	0.643	0.658	0.714	0.742	---

-continued-

Product Bulletin

51.1:ES
September 2007

ES Valve

Table 18. Design ES, CL125 to 600, Linear Cage (continued)

Valve Size, NPS	Port Diameter		Maximum Travel		Flow Coefficient	Valve Opening—Percent of Total Travel										FL ⁽¹⁾
	mm	Inches	mm	Inches		10	20	30	40	50	60	70	80	90	100	
4	111.1	4.375	51	2	C _v	23.7	46.4	72.9	98.2	122	145	165	183	199	212	0.89
					K _v	20.5	40.1	63.1	84.9	106	125	143	158	172	183	---
					X _T	0.553	0.619	0.644	0.680	0.713	0.737	0.743	0.823	0.816	0.791	---
	73.0 (3)	2.875 (3)	38	1.5	C _v	10.6	22.5	35.0	47.5	60.2	73.1	88.0	103	120	139	0.93
					K _v	9.17	19.5	30.3	41.1	52.1	63.2	76.1	89.1	104	120	---
					X _T	0.613	0.671	0.698	0.718	0.718	0.731	0.722	0.751	0.769	0.780	---
6	177.8	7	51	2	C _v	55.0	118	180	235	280	312	341	368	390	417	0.81
					K _v	47.6	102	156	203	242	270	295	318	337	361	---
					X _T	0.597	0.683	0.701	0.687	0.767	0.791	0.787	0.792	0.794	0.745	---
	111.1 (3)	4.375 (3)	51	2	C _v	15.7	35.8	60.2	86.2	115	146	179	215	247	271	0.89
					K _v	13.6	31.0	52.1	74.6	99.5	126	180	186	214	234	---
					X _T	0.678	0.668	0.676	0.683	0.668	0.645	0.668	0.695	0.759	0.817	---
8 ⁽²⁾	203.2	8	51	2	C _v	66.6	147	221	292	375	450	522	592	652	701	0.84
					K _v	57.6	127	191	253	324	389	452	512	564	606	---
					X _T	0.758	0.588	0.597	0.637	0.640	0.676	0.702	0.720	0.738	0.757	---
8	203.2	8	76	3	C _v	100	213	330	451	553	648	719	773	809	836	0.85
					K _v	86.5	184	285	390	478	561	622	669	700	723	---
					X _T	0.616	0.624	0.669	0.691	0.738	0.747	0.762	0.780	0.787	0.799	---

1. At 100% travel.
 2. If coefficients listed above for the NPS 8 linear cage with 51 mm (2 inch) travel are not sufficient for your application, consider using the quick opening cage. The NPS 8 quick opening cage with 51 mm (2 inch) travel has approximately a linear characteristic.
 3. Restricted trim.

Table 19. Design ES, CL125 to 600, Equal Percentage Cage

Equal Percentage - Flow Up															Equal Percentage Characteristic	
Valve Size, NPS	Port Diameter		Maximum Travel		Flow Coefficient	Valve Opening—Percent of Total Travel										F _L ⁽¹⁾
	mm	Inches	mm	Inches		10	20	30	40	50	60	70	80	90	100	
1 & 1-1/4	33.3	1.3125	19	0.75	C _V	0.783	1.29	1.86	2.71	4.18	6.44	9.54	13.1	15.7	17.4	0.95
					K _V	0.677	1.12	1.61	2.34	3.62	5.57	8.25	11.3	13.6	15.1	---
					X _T	0.754	0.794	0.763	0.670	0.652	0.621	0.630	0.677	0.718	0.721	---
1-1/2	47.6	1.875	19	0.75	C _V	1.54	2.52	3.57	4.94	7.41	11.6	17.2	23.5	28.7	33.4	0.94
					K _V	1.33	2.18	3.09	4.27	6.41	10.0	14.9	20.3	24.8	28.9	---
					X _T	0.674	0.670	0.694	0.731	0.706	0.681	0.698	0.692	0.789	0.793	---
	33.3 (2)	1.3125 (2)	19	0.75	C _V	0.882	1.35	1.89	2.52	3.68	5.52	8.13	12.0	16.6	21.0	0.96
					K _V	0.763	1.17	1.63	2.18	3.18	4.77	7.03	10.4	14.4	18.2	---
					X _T	0.858	0.845	0.867	0.810	0.833	0.755	0.776	0.766	0.766	0.766	---
2	58.7	2.3125	29	1.125	C _V	1.74	3.15	4.72	6.91	10.6	16.3	25.0	36.7	47.8	56.2	0.92
					K _V	1.51	2.72	4.08	5.98	9.17	14.1	21.6	31.7	41.3	48.6	---
					X _T	0.863	0.848	0.849	0.805	0.782	0.778	0.792	0.772	0.847	0.848	---
	33.3 (2)	1.3125 (2)	19	0.75	C _V	0.849	1.34	1.83	2.39	3.43	5.12	7.49	11.2	15.8	20.8	0.91
					K _V	0.734	1.16	1.58	2.07	2.97	4.43	6.48	9.69	13.7	18.0	---
					X _T	0.844	0.778	0.803	0.767	0.791	0.764	0.764	0.764	0.755	0.728	---
2-1/2	73.0	2.875	38	1.5	C _V	4.05	7.19	10.6	14.5	21.2	31.6	45.5	64.2	77.7	82.7	0.93
					K _V	3.50	6.22	9.17	12.5	18.3	27.3	39.4	55.5	67.2	71.5	---
					X _T	0.747	0.768	0.745	0.779	0.764	0.744	0.783	0.802	0.841	0.878	---
	47.6 (2)	1.875 (2)	19	0.75	C _V	1.43	2.37	3.34	4.76	7.25	11.3	17.3	24.2	31.8	40.3	0.95
					K _V	1.24	2.05	2.89	4.12	6.27	9.77	15.0	20.9	27.5	34.9	---
					X _T	0.664	0.721	0.741	0.765	0.679	0.681	0.678	0.681	0.748	0.744	---
3	87.3	3.4375	38	1.5	C _V	4.05	6.84	10.0	15.0	23.8	37.8	59.0	87.1	110	121	0.89
					K _V	3.50	5.92	8.65	13.0	20.6	32.7	51.0	75.3	95.2	105	---
					X _T	0.768	0.757	0.761	0.757	0.758	0.571	0.754	0.756	0.758	0.757	---
	58.7 (2)	2.3125 (2)	29	1.125	C _V	2.74	3.44	4.86	6.95	10.6	16.5	25.0	37.7	52.7	67.5	0.94
					K _V	2.37	2.98	4.20	6.01	9.17	14.3	21.6	32.6	45.6	58.4	---
					X _T	0.753	0.748	0.756	0.783	0.786	0.741	0.736	0.732	0.737	0.738	---
4	111.1	4.375	51	2	C _V	6.56	11.4	17.3	27.0	42.2	66.4	103	146	184	203	0.91
					K _V	5.67	9.86	15.0	23.4	36.5	57.4	89.1	126	159	176	---
					X _T	0.722	0.717	0.739	0.772	0.738	0.718	0.718	0.736	0.792	0.822	---
	73.0 (2)	2.875 (2)	38	1.5	C _V	3.96	7.14	10.6	14.5	21.1	31.7	48.0	69.7	95.6	121	0.94
					K _V	3.43	6.18	9.17	12.5	18.3	27.4	41.5	60.3	82.7	105	---
					X _T	0.792	0.803	0.770	0.767	0.760	0.725	0.703	0.717	0.763	0.764	---

-continued-

Product Bulletin

51.1:ES
September 2007

ES Valve

Table 19. Design ES, CL125 to 600, Equal Percentage Cage (continued)

Valve Size, NPS	Port Diameter		Maximum Travel		Flow Coefficient	Valve Opening—Percent of Total Travel										F _L ⁽¹⁾
	mm	Inches	mm	Inches		10	20	30	40	50	60	70	80	90	100	
6	177.8	7	51	2	C _v	13.2	24.6	41.1	62.5	97.1	155	223	286	326	357	0.86
					K _v	11.4	21.3	35.6	54.1	84.0	134	193	247	282	309	---
					X _T	0.723	0.737	0.767	0.846	0.803	0.781	0.808	0.826	0.847	0.816	---
	111.1 (2)	4.375 (2)	51	2	C _v	4.96	9.02	14.0	24.2	39.4	60.8	94.6	144	199	233	0.91
					K _v	4.29	7.80	12.1	20.9	34.1	52.6	81.8	125	172	202	---
					X _T	0.842	0.792	0.778	0.709	0.723	0.739	0.729	0.706	0.719	0.806	---
8	203.2	8	51	2	C _v	18.8	33.6	53.6	79.8	114	168	242	345	467	570	0.85
					K _v	16.3	29.1	46.4	69.0	98.6	145	209	298	404	493	---
					X _T	0.874	0.865	0.769	0.748	0.731	0.697	0.712	0.707	0.697	0.694	---
	203.2	8	76	3	C _v	25.9	53.3	97.8	178	299	461	618	727	768	808	0.85
					K _v	22.4	46.1	84.6	154	259	399	535	629	664	699	---
					X _T	0.825	0.728	0.681	0.616	0.678	0.716	0.735	0.793	0.825	0.827	---

1. At 100% travel.
2. Restricted trim.

Table 20. Design ES, CL125 to 600, Whisper Trim® I Cage, Flow Up through the Port

Whisper Trim I														Linear Characteristic	
Valve Size, ⁽¹⁾ NPS	Port Diameter		Maximum Travel		Flow Coefficient	Valve Opening—Percent of Total Travel									
	mm	Inches	mm	Inches		10	20	30	40	50	60	70	80	90	100
1 & 1-1/4	33.3	1.3125	19	0.75	C _v	3.16	6.97	11.8	15.1	16.5	17.2	17.3	17.4	17.4	18.4
					K _v	2.73	6.03	10.2	13.1	14.3	14.9	15.0	15.1	15.1	15.9
					X _T	0.828	0.747	0.553	0.570	0.645	0.667	0.686	0.694	0.709	0.678
1-1/2	47.6	1.875	19	0.75	C _v	3.42	8.78	14.6	22.2	27.7	31.6	34.0	35.1	36.0	37.2
					K _v	2.96	7.59	12.6	19.2	24.0	27.3	29.4	30.4	31.1	32.2
					X _T	0.635	0.649	0.594	0.455	0.457	0.504	0.563	0.625	0.648	0.640
	33.3 (2)	1.3125 (2)	19	0.75	C _v	2.84	6.74	11.3	17.4	22.1	25.6	27.7	28.7	29.1	29.3
					K _v	2.46	5.83	9.77	15.1	19.1	22.1	24.0	24.8	25.2	25.3
					X _T	0.669	0.709	0.563	0.424	0.401	0.428	0.487	0.569	0.661	0.711
2	58.7	2.3125	29	1.125	C _v	8.27	21.8	35.3	47.3	55.1	60.2	63.2	65.3	66.8	67.8
					K _v	7.15	18.9	30.5	40.9	47.7	52.1	54.7	56.5	57.8	58.6
					X _T	0.647	0.411	0.347	0.352	0.409	0.499	0.577	0.622	0.647	0.656
	33.3 (2)	1.3125 (2)	19	0.75	C _v	3.62	7.07	12.2	18.4	23.3	27.6	31.1	34.0	35.8	37.0
					K _v	3.13	6.12	10.6	15.9	20.2	23.9	26.9	29.4	31.0	32.0
					X _T	0.620	0.769	0.559	0.420	0.390	0.396	0.408	0.440	0.475	0.494
2-1/2	73.0	2.875	38	1.5	C _v	12.8	33.9	55.0	70.6	80.0	85.4	88.5	90.3	91.1	91.7
					K _v	11.1	29.3	47.6	61.1	69.2	73.9	76.6	78.1	78.8	79.3
					X _T	0.766	0.476	0.377	0.388	0.460	0.540	0.590	0.631	0.660	0.669
	47.6 (2)	1.875 (2)	19	0.75	C _v	3.07	8.65	15.3	23.4	31.2	36.8	43.4	48.3	52.1	55.8
					K _v	2.66	7.48	13.2	20.2	27.0	31.8	37.5	41.8	45.1	48.3
					X _T	0.766	0.766	0.613	0.450	0.384	0.389	0.380	0.399	0.420	0.428
3	87.3	3.4375	38	1.5	C _v	11.1	36.0	60.3	81.9	99.6	111	119	124	128	131
					K _v	9.60	31.1	52.2	70.8	86.2	96.0	103	107	111	113
					X _T	0.766	0.649	0.451	0.415	0.416	0.469	0.522	0.566	0.595	0.603
	58.7 (2)	2.3125 (2)	29	1.125	C _v	6.63	18.1	30.8	43.4	56.1	67.1	77.8	87.2	95.9	102
					K _v	5.73	15.7	26.6	37.5	48.5	58.0	67.3	75.4	83.0	88.2
					X _T	0.766	0.662	0.483	0.424	0.395	0.387	0.385	0.387	0.395	0.397
4	111.1	4.375	51	2	C _v	25.1	56.5	85.6	111	128	139	147	151	208	211
					K _v	21.7	48.9	74.0	96.0	111	120	127	131	180	183
					X _T	1.222	0.807	0.683	0.680	0.786	0.909	1.017	1.109	0.635	0.645
	73.0 (2)	2.875 (2)	38	1.5	C _v	12.8	33.9	56.6	76.4	96.3	114	130	143	156	164
					K _v	11.1	29.3	49.0	66.1	83.3	98.6	112	124	135	142
					X _T	0.766	0.471	0.350	0.332	0.317	0.325	0.331	0.349	0.361	0.377
6	177.8	7	51	2	C _v	54.1	114	174	231	281	319	349	369	387	401
					K _v	46.8	98.6	151	200	243	276	302	319	335	347
					X _T	0.407	0.453	0.409	0.367	0.383	0.419	0.450	0.487	0.514	0.532
8	203.2	8	76	3	C _v	84.6	229	360	462	531	607	660	695	712	735
					K _v	73.2	198	311	400	459	525	571	601	616	636
					X _T	0.729	0.409	0.346	0.354	0.410	0.451	0.507	0.560	0.602	0.633
			29	4	C _v	132	318	464	566	641	693	724	742	760	773
					K _v	114	275	401	490	554	599	626	642	657	669
					X _T	0.499	0.358	0.371	0.422	0.482	0.542	0.604	0.659	0.682	0.675

1. NPS 6 easy-e with restricted Whisper Trim not available. Use EW valve body where this trim is desired.
 2. Restricted trim.

Product Bulletin

51.1:ES
September 2007

ES Valve

Table 21. Design ES, CL125 to 600, Whisper Trim® III Cage, Flow Up through the Port

Whisper Trim III														Linear Characteristic ⁽¹⁾		
Valve Size, ⁽²⁾ NPS	Port Diameter		Maximum Travel		Flow Coefficient	Valve Opening—Percent of Total Travel										X _T ⁽³⁾
	mm	Inches	mm	Inches		10	20	30	40	50	60	70	80	90	100	
A3 $\Delta P/P_1 \leq 0.6$																
6	136.5	5.375	76	3	C _v	4.67 ⁽⁴⁾	74.0	111	147	183	219	254	288	322	353	0.563
					K _v	4.04	64.0	96.0	127	158	189	220	249	279	305	---
B3 $\Delta P/P_1 \leq 0.75$																
6	136.5	5.375	76	3	C _v	4.67 ⁽⁴⁾	41.3	61.7	82.3	103	123	144	164	184	203	0.563
					K _v	4.04	35.7	53.4	71.2	89.1	106	125	142	159	176	---
C3 $\Delta P/P_1 \leq 0.85$																
6	136.5	5.375	76	3	C _v	4.67 ⁽⁴⁾	28.0	41.3	55.3	69.3	83.0	97.0	110	124	138	0.563
					K _v	4.04	24.2	35.7	47.8	59.9	71.8	83.9	95.2	107	119	---
D3 $\Delta P/P_1 \leq 0.99$																
6	136.5	5.375	76	3	C _v	4.67 ⁽⁴⁾	6.67	9.50	19.9	31.4	46.0	61.0	75.7	89.7	104	0.563
					K _v	4.04	5.77	8.22	17.2	27.2	39.8	52.8	65.5	77.6	90.0	---

1. Level D exhibits an equal percentage characteristic for the first 38 mm (1.5 inches) of travel, then linear characteristic.
 2. NPS 6 easy-e with restricted Whisper Trim not available. Use EW valve body where this trim is desired.
 3. This column lists XT factors for Whisper Trim III cages at 100% travel.
 4. This coefficient is minimum rather than 10% open. Valves should not be required to throttle at less than the specified minimum coefficient for an extended period of time. Erosion damage to the valve may result.

Table 22. Design EAS, Quick Opening Cage, Flow Up

Quick Opening																Quick Opening Characteristic	
Valve Size, NPS	Port Diameter		Maximum Travel ⁽¹⁾		Flow Coefficient	Coeffs. for 6 mm (0.25 in) Travel ⁽²⁾	Valve Opening—Percent of Total Travel										F _L ⁽³⁾
	mm	Inches	mm	Inches			10	20	30	40	50	60	70	80	90	100	
1	33.3	1.3125	19	0.75	C _v	15.6	4.90	9.94	14.3	17.9	20.5	22.3	23.3	23.6	23.8	23.9	0.90
					K _v	13.5	4.24	8.60	12.4	15.5	17.7	19.3	20.2	20.4	20.6	20.7	---
					X _T	0.719	0.726	0.736	0.722	0.709	0.670	0.646	0.625	0.614	0.607	0.604	---
2	47.6	1.875	19	0.75	C _v	29.2	7.90	16.4	25.8	35.9	44.8	53.3	59.9	64.2	67.2	69.9	0.81
					K _v	25.3	6.83	14.2	22.3	31.1	38.8	46.1	51.8	55.5	58.1	60.5	---
					X _T	0.648	0.601	0.631	0.645	0.641	0.646	0.628	0.622	0.631	0.622	0.602	---
	33.3 (4)	1.3125 (4)	19	0.75	C _v	16.7	5.43	10.2	15.1	20.3	26.1	31.4	35.2	37.5	39.2	40.5	0.87
					K _v	14.4	4.70	8.82	13.1	17.6	22.6	27.2	30.4	32.4	33.9	35.0	---
					X _T	0.632	0.591	0.631	0.632	0.621	0.638	0.673	0.739	0.786	0.763	0.726	---
3	73.0	2.875	38	1.5	C _v	38.8	24.5	47.3	79.1	106	125	139	154	168	177	184	0.90
					K _v	33.6	21.2	40.9	68.4	91.7	108	120	133	145	153	159	---
					X _T	0.638	0.630	0.637	0.619	0.693	0.729	0.705	0.641	0.596	0.569	0.563	---
	47.6 (4)	1.875 (4)	19	0.75	C _v	29.7	7.34	15.9	26.8	36.4	45.3	53.7	60.7	66.6	71.8	76.5	0.97
					K _v	25.7	6.35	13.8	23.2	31.5	39.2	46.5	52.5	57.6	62.1	66.2	---
					X _T	0.568	0.598	0.594	0.561	0.571	0.623	0.664	0.713	0.778	0.820	0.819	---
4	87.3	3.4375	38	1.5	C _v	37.5	23.8	46.3	79.6	116	150	176	197	217	233	245	0.79
					K _v	32.4	20.6	40.0	68.9	100	130	152	170	188	202	212	---
					X _T	0.608	0.594	0.604	0.621	0.646	0.632	0.619	0.613	0.605	0.593	0.590	---
	58.7 (4)	2.3125 (4)	29	1.125	C _v	31.5	14.2	28.4	45.2	63.2	80.6	96.1	109	119	129	135	0.81
					K _v	27.2	12.3	24.6	39.1	54.7	69.7	83.1	94.3	103	112	117	---
					X _T	0.624	0.622	0.623	0.617	0.626	0.665	0.706	0.740	0.771	0.666	0.625	---
6	111.1	4.375	51	2	C _v	51.1	40.0	84.3	138	194	246	293	340	378	403	409	0.78
					K _v	44.2	34.6	72.9	119	168	213	253	294	327	349	354	---
					X _T	0.582	0.581	0.585	0.587	0.584	0.582	0.583	0.585	0.578	0.582	0.584	---
	73.0 (4)	2.875 (4)	38	1.5	C _v	36.5	21.3	45.3	71.4	98.9	123	142	159	175	186	192	0.81
					K _v	31.6	18.4	39.2	61.8	85.5	106	123	138	151	161	166	---
					X _T	0.721	0.720	0.722	0.718	0.717	0.718	0.723	0.718	0.715	0.731	0.719	---

1. When using Type 655-EAS as a control valve for on-off service, the maximum travel for sizing purposes is 19 mm (0.75 in.).
 2. When sizing self-operated regulators, use coefficients listed for 6 mm (0.25 in.) travel.
 3. At 100% travel.
 4. Restricted trim.

Table 23. Design EAS, Linear Cage, Flow Up

Linear															Linear Characteristic	
Valve Size, NPS	Port Diameter		Maximum Travel		Flow Coefficient	Valve Opening—Percent of Total Travel										F _L ⁽¹⁾
	mm	Inches	mm	Inches		10	20	30	40	50	60	70	80	90	100	
1	33.3	1.3125	19	0.75	C _V	3.97	6.17	8.40	10.7	12.9	15.3	17.9	20.3	22.3	24.2	0.92
					K _V	3.43	5.34	7.27	9.26	11.2	13.2	15.5	17.6	19.3	20.9	---
					X _T	0.712	0.697	0.699	0.704	0.734	0.730	0.693	0.644	0.609	0.577	---
2	47.6	1.875	19	0.75	C _V	5.20	6.97	11.0	15.2	19.6	24.5	30.3	36.7	42.8	49.1	0.85
					K _V	4.50	6.03	9.52	13.1	17.0	21.2	26.2	31.7	37.0	42.5	---
					X _T	0.584	0.600	0.618	0.660	0.658	0.664	0.669	0.679	0.698	0.697	---
	33.3 (2)	1.3125 (2)	19	0.75	C _V	2.45	4.35	6.44	8.80	11.8	15.4	19.4	23.6	28.1	32.7	0.89
					K _V	2.11	3.76	5.57	7.61	10.2	13.3	16.8	20.4	24.3	28.3	---
					X _T	0.723	0.723	0.749	0.736	0.690	0.651	0.642	0.655	0.688	0.720	---
3	73.0	2.875	38	1.5	C _V	10.5	22.9	35.5	48.7	61.8	76.3	91.3	109	129	149	0.85
					K _V	9.08	19.8	30.7	42.1	53.5	66.0	79.0	94.3	112	129	---
					X _T	0.651	0.649	0.691	0.692	0.701	0.698	0.702	0.686	0.666	0.646	---
	47.6 (2)	1.875 (2)	19	0.75	C _V	3.62	6.94	10.7	14.9	19.0	23.9	28.9	34.9	42.4	51.0	0.92
					K _V	3.13	6.00	9.26	12.9	16.4	20.7	25.0	30.2	36.7	44.1	---
					X _T	0.506	0.634	0.723	0.673	0.723	0.704	0.722	0.739	0.721	0.703	---
4	87.3	3.4375	38	1.5	C _V	12.9	28.6	45.5	67.8	88.4	108	129	151	174	196	0.81
					K _V	11.2	24.7	39.4	58.6	76.5	93.4	112	131	151	170	---
					X _T	0.616	0.648	0.661	0.676	0.687	0.698	0.688	0.672	0.661	0.656	---
	58.7 (2)	2.3125 (2)	29	1.125	C _V	6.84	13.9	22.1	31.2	40.9	51.3	62.0	73.2	84.8	95.0	0.87
					K _V	5.92	12.0	19.1	27.0	35.4	44.4	53.6	63.3	73.4	82.2	---
					X _T	0.647	0.661	0.688	0.655	0.631	0.623	0.625	0.644	0.696	0.723	---
6	111.1	4.375	51	2	C _V	26.1	52.3	78.3	105	132	164	200	247	303	361	0.81
					K _V	22.6	45.2	67.7	90.8	114	142	173	214	262	312	---
					X _T	0.631	0.684	0.727	0.718	0.720	0.690	0.683	0.670	0.647	0.623	---
	73.0 (2)	2.875 (2)	38	1.5	C _V	10.5	22.7	35.1	48.0	60.8	74.7	89.6	107	128	150	0.90
					K _V	9.08	19.6	30.4	41.5	52.6	64.6	77.5	92.6	111	130	---
					X _T	0.675	0.708	0.731	0.757	0.767	0.769	0.772	0.772	0.772	0.771	---

1. At 100% travel.
2. Restricted trim.

Table 24. Design EAS, Equal Percentage Cage, Flow Up

Equal Percentage															Equal Percentage Characteristic	
Valve Size, NPS	Port Diameter		Maximum Travel		Flow Coefficient	Valve Opening—Percent of Total Travel										F _L ⁽¹⁾
	mm	Inches	mm	Inches		10	20	30	40	50	60	70	80	90	100	
1	33.3	1.3125	19	0.75	C _V	1.29	1.87	2.59	3.85	5.59	8.46	12.5	16.9	20.9	23.5	0.82
					K _V	1.12	1.62	2.24	3.33	4.84	7.32	10.8	14.6	18.1	20.3	---
					X _T	0.812	0.771	0.674	0.702	0.730	0.714	0.723	0.669	0.633	0.579	---
2	47.6	1.875	19	0.75	C _V	1.41	2.41	3.43	4.86	7.26	11.3	17.3	24.5	32.6	40.8	0.91
					K _V	1.22	2.09	2.97	4.20	6.28	9.78	15.0	21.2	28.2	35.3	---
					X _T	0.724	0.736	0.727	0.738	0.723	0.714	0.646	0.680	0.673	0.725	---
	33.3 (2)	1.3125 (2)	19	0.75	C _V	0.850	1.35	1.87	2.42	3.64	5.54	8.22	11.9	16.6	21.8	0.95
					K _V	0.735	1.17	1.62	2.09	3.15	4.79	7.11	10.3	14.4	18.9	---
					X _T	0.858	0.827	0.846	0.800	0.810	0.675	0.644	0.696	0.727	0.760	---
3	73.0	2.875	38	1.5	C _V	4.16	6.90	10.4	14.7	21.2	32.6	49.3	73.3	101	128	0.85
					K _V	3.60	5.97	9.00	12.7	18.3	28.2	42.6	63.4	87.4	111	---
					X _T	0.718	0.867	0.770	0.743	0.766	0.712	0.683	0.687	0.671	0.670	---
	47.6 (2)	1.875 (2)	19	0.75	C _V	1.48	2.44	3.47	4.87	7.31	10.9	16.7	24.5	33.0	41.3	0.91
					K _V	1.28	2.11	3.00	4.21	6.32	9.43	14.4	21.2	28.5	35.7	---
					X _T	0.713	0.737	0.747	0.780	0.749	0.744	0.733	0.704	0.720	0.749	---
4	87.3	3.4375	38	1.5	C _V	3.63	6.33	9.32	13.9	21.0	32.9	52.5	81.7	115	148	0.84
					K _V	3.14	5.48	8.06	12.0	18.2	28.5	45.4	70.7	99.5	128	---
					X _T	0.839	0.776	0.784	0.799	0.793	0.699	0.776	0.724	0.697	0.691	---
	58.7 (2)	2.3125 (2)	29	1.125	C _V	1.94	3.36	4.81	6.76	10.7	16.4	25.0	36.8	51.4	67.6	0.91
					K _V	1.68	2.91	4.16	5.85	9.26	14.2	21.6	31.8	44.5	58.5	---
					X _T	0.693	0.694	0.692	0.794	0.792	0.724	0.694	0.676	0.692	0.692	---
6	111.1	4.375	51	2	C _V	5.21	10.3	16.9	28.0	45.6	73.5	121	184	251	310	0.84
					K _V	4.51	8.91	14.6	24.2	39.4	63.6	105	159	217	268	---
					X _T	0.968	0.846	0.801	0.794	0.769	0.770	0.728	0.712	0.687	0.690	---
	73.0 (2)	2.875 (2)	38	1.5	C _V	4.12	7.27	10.5	14.6	21.4	32.1	47.9	71.3	97.0	126	0.90
					K _V	3.56	6.29	9.08	12.6	18.5	27.8	41.4	61.7	83.9	109	---
					X _T	0.728	0.763	0.772	0.790	0.778	0.774	0.778	0.750	0.777	0.776	---

1. At 100% travel.
2. Restricted trim.

Table 25. Design EAS, Whisper Trim® I Cage, Flow Up

Whisper Trim I															Linear Characteristic
Valve Size, NPS	Port Diameter		Maximum Travel		Flow Coefficient	Valve Opening—Percent of Total Travel									
	mm	Inches	mm	Inches		10	20	30	40	50	60	70	80	90	100
1	33.3	1.3125	19	0.75	C _v	2.30	5.62	8.95	12.5	15.6	17.6	20.7	22.8	24.5	25.5
					K _v	1.99	4.86	7.74	10.8	13.5	15.2	17.9	19.7	21.2	22.1
					X _T	0.351	0.377	0.395	0.423	0.419	0.448	0.448	0.467	0.484	0.498
2	47.6	1.875	19	0.75	C _v	4.77	10.6	18.8	26.9	33.2	39.2	44.0	48.8	52.9	56.1
					K _v	4.13	9.17	16.3	23.3	28.7	33.9	38.1	42.2	45.8	48.5
					X _T	0.794	0.635	0.409	0.341	0.335	0.339	0.363	0.372	0.383	0.384
3	73.0	2.875	38	1.5	C _v	12.8	33.9	56.6	76.4	96.3	114	130	143	156	164
					K _v	11.1	29.3	49.0	66.1	83.3	98.6	112	124	135	142
					X _T	0.638	0.471	0.350	0.332	0.317	0.326	0.331	0.349	0.361	0.377
4	87.3	3.4375	38	1.5	C _v	19.2	49.3	77.6	105	130	153	175	193	209	223
					K _v	16.6	42.6	67.1	90.8	112	132	151	167	181	193
					X _T	0.478	0.402	0.371	0.324	0.317	0.336	0.348	0.364	0.385	0.394
6	111.1	4.375	51	2	C _v	31.7	77.5	123	173	214	242	286	313	341	352
					K _v	27.4	67.0	106	150	185	209	247	271	295	304
					X _T	0.292	0.318	0.350	0.318	0.320	0.347	0.347	0.377	0.377	0.389

Specifications

Available Configurations

Design ES: Single-port, globe-style control valve with cage guiding, unbalanced valve plug, and push-down-to-close valve plug action (figures 1 and 2).

Design EAS: Angle version of Design ES control valve, used to facilitate piping or in applications where a self-draining valve is desired (figure 3).

Valve Sizes

See table 3

End Connection Styles⁽¹⁾⁽²⁾

Cast Iron Valves.

Flanged: Design ES, NPS 1 through 8, including NPS 1-1/2 and 2-1/2 (except NPS 1-1/4),
 ■ CL125 flat-face or ■ CL250 raised-face flanges per ASME B16.1

Steel and Stainless Steel Valves.

Flanged: ■ CL150, 300, or 600 raised-face (RF) or ring-type joint (RTJ) flanges per ASME B16.5

Screwed or Socket Welding: NPS 1/2 through 2, consistent with ASME B16.11

Buttwelding: NPS 1 through 8 (except NPS 1-1/4). Schedules 40 or 80 consistent with ASME B16.25

Maximum Inlet Pressures and Temperatures⁽¹⁾⁽²⁾

As listed below, unless limited by maximum pressure drop or material temperature capabilities

Cast Iron Valves.

Flanged: Consistent with CL125B or 250B per ASME B16.1

Steel and Stainless Steel Valves.

Flanged: Consistent with CL150, 300, and 600⁽³⁾ per ASME B16.34

Screwed or Welding: Consistent with flanged CL600⁽³⁾ per ASME B16.34

Maximum Pressure Drop⁽²⁾

Same as maximum inlet pressure for specific construction defined above, except where further

limited as shown in figures 6 and 7.

Valves for NACE MR0175-2002: See figure 6

Shutoff Classifications per ANSI/FCI 70-2 and IEC 60534-4

Metal Seating: Class IV is standard. Class V is optional

PTFE Composition Seating: Class VI

Construction Materials

Body, Bonnet, and Bonnet Spacer or Bottom Flange, if used: ■ WCC carbon steel, ■ 316 stainless steel, ■ LCC carbon steel, ■ WC9 chrome moly steel; ■ Cast iron body with steel bonnet construction.

■ Other material constructions upon request

Valve Plug, Cage, and Metal Seating Parts: See table 4.

All Other Parts: See table 8

Material Temperature Capabilities⁽²⁾

Body/Trim Combinations: See tables 4 and 5.
Those For NACE Specification: See tables 9 and 10.

All Other Parts: See table 8

Flow Characteristics

Standard Cages: ■ Quick-opening, ■ linear, or ■ equal percentage

Whisper Trim: Linear

Flow Directions

Design ES.

Standard Cage: Normally up

Whisper Trim Cages: Always up

Design EAS.

Standard Cage: Without liner, flow up or down; with liner, normally down

Whisper Trim Cages: Always up

Flow Coefficients and Noise Level Prediction

See table 7 and Catalog 12

Port Diameters and Maximum Valve Plug Travels

See table 11

- continued -

Specifications (continued)

Yoke Boss and Stem Diameters

See table 11

Typical Bonnet Styles

■ Plain or ■ extension. See figures 8 and 9 for standard dimensions. See table 6 for selection guidelines

■ ENVIRO-SEAL bellows seal bonnet. See figure 5 for view of ENVIRO-SEAL bellows seal bonnet. Also, see Bulletin 59.1:070, ENVIRO-SEAL Bellows Seal Bonnets, for further information

Packing Arrangements

Standard Material: Single PTFE V-ring

ENVIRO-SEAL Packing: See figure 4.

ENVIRO-SEAL Packing Systems in vacuum service: Standard ENVIRO-SEAL packing systems can be used in vacuum service with packing rings in standard orientation. Do not reverse the ENVIRO-SEAL PTFE packing rings.

Also see Bulletin 59.1:061, ENVIRO-SEAL Packing Systems for Sliding-Stem Valves, for more information.

Approximate Weights

NPS 1 and 1-1/4: 14 kg (30 lb)

NPS 1-1/2: 20 kg (45 lb)

NPS 2: 39 kg (85 lb)

NPS 2-1/2: 45 kg (100 lb)

NPS 3: 57 kg (125 lb)

NPS 4: 77 kg (170 lb)

NPS 6: 159 kg (350 lb)

NPS 8: 408 kg (900 lb)

Additional Options

■ Lubricator, ■ lubricator/isolating valve, ■ drilled and tapped connection in extension bonnet for leakoff service, ■ body drain plug, ■ style 3 fabricated extension bonnet made on order to a specific length for cryogenic service, and ■ Whisper Trim III cage for NPS 6 Design ES body

1. EN (or other) ratings and end connections can usually be supplied; consult your Emerson Process Management sales office.

2. The pressure/temperature limits in this bulletin, and any applicable standard limitations should not be exceeded.

3. Certain bonnet bolting material selections may require a CL600 easy-e valve assembly to be derated. Contact your Emerson Process Management sales office for more information

ENVIRO-SEAL Packing System Specifications

Applicable Stem Diameters

- 9.5 mm (3/8 inches), ■ 12.7 (1/2), ■ 19.1 (3/4),
- 25.4 (1), and ■ 31.8 (1-1/4) diameter valve stems

Maximum Pressure/Temperature Limits⁽¹⁾

To Meet the EPA Fugitive Emission Standard of 100 PPM⁽²⁾.

For ENVIRO-SEAL PTFE and ENVIRO-SEAL Duplex packing systems: full CL300 up to 232°C (450°F)

For ENVIRO-SEAL Graphite packing: 104 bar (1500 psig) at 316°C (600°F)

Construction Materials

PTFE Packing Systems:

Packing Ring and Lower Wiper: PTFE V-ring⁽³⁾
Male and Female Adaptor Rings: Carbon-filled PTFE V-ring

Graphite ULF Packing Systems: Graphite rings Duplex Packing Systems:

Male and Female Adaptor Rings: Carbon-filled PTFE V-ring

Guide Bushings: Carbon graphite

Packing Rings: Graphite composite

Packing Washer: PTFE

Anti-Extrusion Washer: Filled PTFE (not required for graphite or duplex packing)

Lantern Ring: S31600 (316 stainless steel) (not required for graphite packing)

Packing Box Flange: S31600

Spring: ■ 17-7PH stainless steel or ■ N06600

Packing Follower: S31600 lined with carbon-filled PTFE

Packing Box Studs: Strain-hardened 316 stainless steel

Packing Box Nuts: 316 stainless steel SA194 Grade 8M

1. Refer to the valve specifications in this bulletin for pressure/temperature limits of valve parts. Do not exceed the pressure/temperature rating of the valve. Do not exceed any applicable code or standard limitation.
 2. The Environmental Protection Agency (EPA) has set a limit of 100 parts per million (ppm) for fugitive emissions from a valve in selected VOC (Volatile Organic Compound) services.
 3. In vacuum service, it is not necessary to reverse the ENVIRO-SEAL PTFE packing rings.

ENVIRO-SEAL, easy-e, Whisper Trim, and Fisher are marks owned by Fisher Controls International LLC, a member of the Emerson Process Management business division of Emerson Electric Co. Emerson Process Management, Emerson, and the Emerson logo are trademarks and service marks of Emerson Electric Co. All other marks are the property of their respective owners. This product may be covered by one or more of the following patents: 5,129,625; 5,131,666; 5,056,757; 5,230,498; and 5,299,812 or under pending patents.

The contents of this publication are presented for informational purposes only, and while every effort has been made to ensure their accuracy, they are not to be construed as warranties or guarantees, express or implied, regarding the products or services described herein or their use or applicability. We reserve the right to modify or improve the designs or specifications of such products at any time without notice.

Neither Emerson, Emerson Process Management, nor any of their affiliated entities assumes responsibility for the selection, use and maintenance of any product. Responsibility for the selection, use and maintenance of any product remains with the purchaser and end-user.

Emerson Process Management

Marshalltown, Iowa 50158 USA
 Cernay 68700 France
 Sao Paulo 05424 Brazil
 Singapore 128461

www.Fisher.com

三千控制阀网

www.cv3000.com



EMERSON
 Process Management