

Whisper Trim[®] I Cage

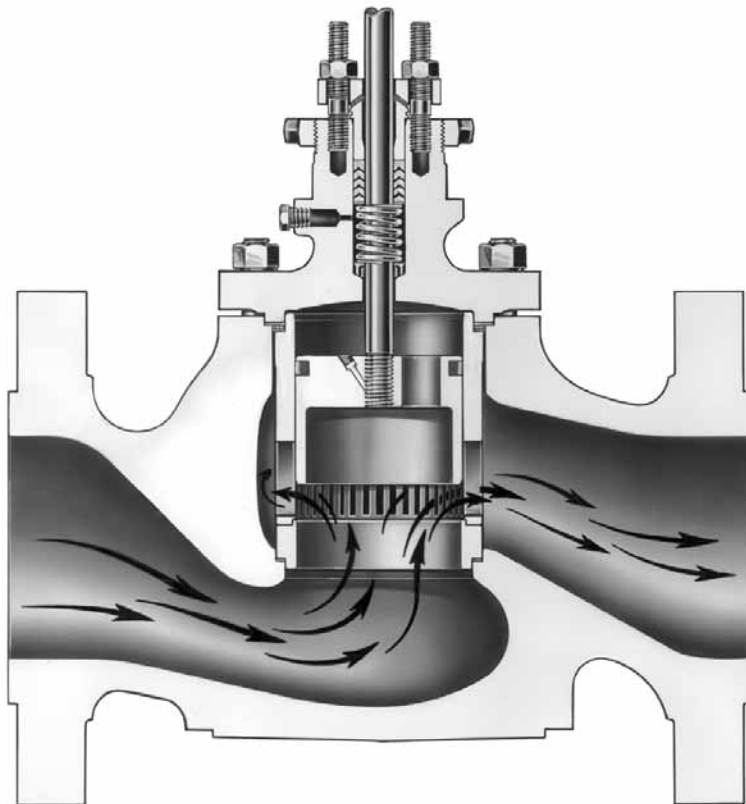
The Whisper Trim[®] I cage (figure 1) offers proven aerodynamic noise control that is effective for vapor, gas, or steam flow applications. The Whisper Trim I cage utilizes multiple orifices of a special shape, size, and spacing to minimize noise generated by the flow of vapor, gas, or steam through a control valve. Using a Whisper Trim I cage in conjunction with a properly sized valve body can substantially reduce the noise level below that of valves with standard trim.

Refer to the appropriate valve body bulletin for additional construction details and pressure drop limits.

Unless otherwise noted, all NACE references are to NACE MR0175-2002.

Note

Neither Emerson, Emerson Process Management, nor any of their affiliated entities assumes responsibility for the selection, use and maintenance of any product. Responsibility for the selection, use, and maintenance of any product remains with the purchaser and end-user.



WHISPER TRIM I CAGE

Figure 1. Design EWT Metal-Seat Valve with Whisper Trim[®] I Cage



Whisper Trim I Cage

Table 1. Trim Material Selection for CL125-600 easy-e® and CL125-900 Design EW Using a Whisper Trim® I Cage

Trim Number	Valve Plug	Whisper Trim I Cage	Seat Ring
1	416 SST ⁽¹⁾	17-4PH SST ⁽²⁾	416 or 410 SST ⁽¹⁾
3	316 SST alloy 6 (CoCr-A) faced seat and guide	Cast alloy 6	Cast alloy 6 ⁽³⁾
4	316 SST	17-4PH SST ⁽²⁾	316 SST
27 & 87	316 SST alloy 6 faced seat and guide	316 SST with electroless nickel coating (ENC) ⁽⁵⁾	Cast alloy 6 ⁽³⁾
28	316 SST alloy 6 faced seat	316 SST with electroless nickel coating (ENC) ⁽⁵⁾	316 SST ⁽³⁾
29 & 85	316 SST	316 SST with electroless nickel coating (ENC) ⁽⁵⁾	316 SST
37	316 SST alloy 6 faced seat and guide	17-4PH SST ⁽²⁾	Cast alloy 6 ⁽³⁾
57	416 SST ⁽¹⁾	17-4PH SST ⁽²⁾	316 SST ⁽⁴⁾

1. Hardened to 38 Rockwell C minimum.
 2. Hardened to 40 Rockwell C minimum.
 3. 316 SST alloy 6 faced seat used on NPS 6 x 4, 8 x 4, 8 x 6, and 12 x 6 valves.
 4. 316 SST disk seat and disk retainer for soft seat construction.
 5. 17-4 NACE MR0175-2002 with ENC used on NPS 8 easy-e, NPS 10x8 and 12x8 Design EW valves.

Table 2. Whisper Trim® I Cage Availability

Pressure Rating	Available Valve Design	Valve Size, NPS
CL125 through 600	ED, ES, & ET	1, 1-1/2, 2, 2-1/2, 3, 4, 6, 8
CL300 through 600	EWD, EWS, & EWT	4x2 ⁽¹⁾ , 6x4 ⁽¹⁾ , 8x4 ⁽¹⁾ , 8x6 ⁽¹⁾ , 12x6 ⁽¹⁾ , 10x8 ⁽¹⁾ , 12x8 ⁽¹⁾
CL900	EWD, EWS, & EWT	8x6 ⁽¹⁾ , 12x8 ^(1,2)

1. The first number indicates both valve body inlet and outlet size. The second number indicates nominal trim size.
 2. Will accept CL900 inlet pressure but limited to CL600 pressure drop.

Installation

In any installation, the valve must be oriented so the flow complies with the arrow on the side of the valve body. Flow is always up through the seat ring.

Because the Whisper Trim I cage design utilizes a multiple-orifice design, a strainer should be installed upstream of any Whisper Trim I application.

The cage has 1.6 mm (0.06 inch) width slots.

Features

- **Optimum Performance**—The Whisper Trim I cage offers excellent noise reduction and high flow capacity with the well known control and durability offered by standard easy-e® trims to give optimum overall performance at a minimum investment.

- **Noise Control**—Use of a Whisper Trim I cage in a properly sized valve can result in up to 18 dBA noise reduction compared to the same valve with standard trim. An 18 dBA reduction in noise represents approximately 98 percent reduction in sound intensity. This is similar to moving away from the noise source by 24m (78 feet).

- **Easy Maintenance**—Quick change trim allows fast and easy inspection or replacement of the cage without taking the valve body out of the pipeline. It is interchangeable with the cages in all standard easy-e control valve bodies.

- **Long Trim Life**—Hardened material is standard to provide exceptional wear resistance.

Ordering Information

When ordering, please specify:

1. Required C_v
2. Trim material
3. Valve body design
4. Valve body size
5. Valve body material
6. Service conditions

Specifications

Availability

See table 2.
For valve designs and sizes not listed, use a Whisper Trim III level A1 cage instead of a Whisper Trim I cage. Base the noise attenuation and velocity limits in accordance with Whisper Trim I cage performance.

Trim Material

See table 1

Trim Selection

See appropriate valve body bulletin

Flow Characteristic

Linear; (characterized cages available--consult with your Emerson Process Management™ sales office)

Flow Direction

Up through the seat ring and out the cage openings

Noise Attenuation

See Catalog 12, section 3 for calculation procedure

(Whisper Trim I is most effective when $\Delta P/P_1 \leq 0.65$. It can be used above this, but the addition of a diffuser is recommended to split the pressure drop.)

Sizing Coefficients

See Catalog 12, section 1 for actual values

Shutoff Classification

Soft seats are available. See appropriate valve body bulletin

Pressure/Temperature Capability

See appropriate valve body bulletin

easy-e, Whisper Trim, and Fisher are marks owned by Fisher Controls International LLC, a member of the Emerson Process Management business division of Emerson Electric Co. Emerson Process Management, Emerson, and the Emerson logo are trademarks and service marks of Emerson Electric Co. All other marks are the property of their respective owners.

The contents of this publication are presented for informational purposes only, and while every effort has been made to ensure their accuracy, they are not to be construed as warranties or guarantees, express or implied, regarding the products or services described herein or their use or applicability. We reserve the right to modify or improve the designs or specifications of such products at any time without notice.

Neither Emerson, Emerson Process Management, nor any of their affiliated entities assumes responsibility for the selection, use and maintenance of any product. Responsibility for the selection, use and maintenance of any product remains with the purchaser and end-user.

Emerson Process Management

Marshalltown, Iowa 50158 USA

Cernay 68700 France

Sao Paulo 05424 Brazil

Singapore 128461

www.Fisher.com

三千控制阀网

www.cv3000.com



EMERSON[™]
Process Management