



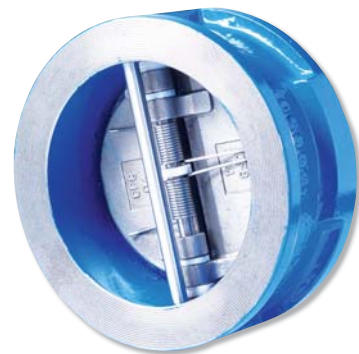
GRIP THAT HOLDS

SERIES 700 – Dual plate check valves

// DN 50 - 1400 (2" - 48")

// PN 10, 16

// Waste water, sewage,
thick and viscous liquids, water



SERIES 700HP – Dual plate check valves

// DN 50 - 600 (2" - 24")

// PN 10, 16, 24

// Oil & Gas, waste water, potable water



SERIES 800 – Swing check valves

// DN 50 - 300 (2" - 12")

// PN 10, 16

// Water, heating systems, oils



CHECK VALVES

SERIES 700 – DUAL PLATE CHECK VALVES

GENERAL CHARACTERISTICS

- Compact valve
- Preferred vertical installation in pipeline
- Short face-to-face connection with good hydraulic performance
- Mounting between flanges
- Low head loss
- Stainless steel spring to avoid fluid hammer

BASIC INFORMATION

Range:

- DN: 50 - 1200 (2" - 48")
- PN: 10, 16 bar

Temperature range:

- 25°C to + 125°C (depending on execution)

Applications:

- Waste water
- Sewage
- Water treatment
- Potable water
- Thick and viscous liquids

STANDARDS

LEAK TEST:

- EN 12266-1, CLASS A
- ISO 5208, CLASS A

CONNECTION BETWEEN

FLANGES:

- EN ISO 6708
- EN 1092-1,2

MARKING

- EN 19

WORKING STANDARD:

- EN 12334

FACE TO FACE:

- EN 558

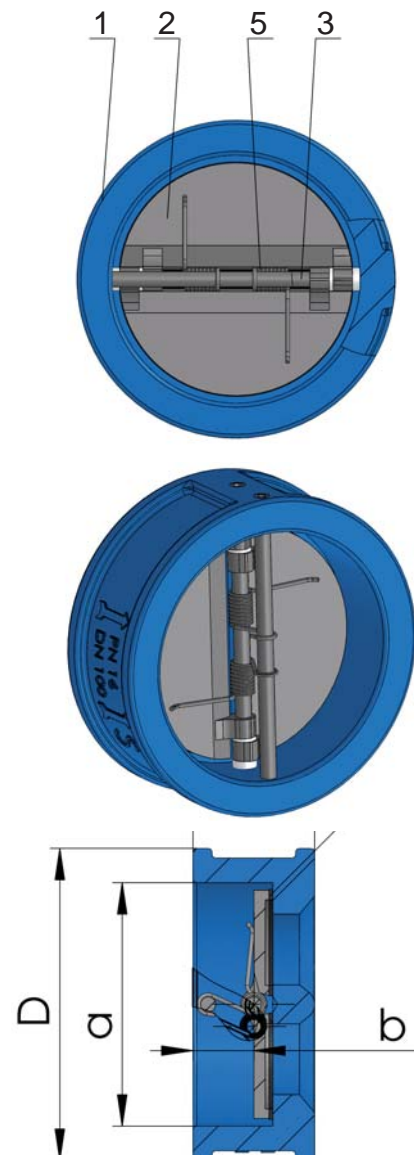
MATERIALS

Item	Name	Material
1	Body	Ductile iron 0.7040 (GGG40)
2	Plate	Stainless steel 1.4308 (CF8)
3	Stem	Stainless steel 1.4301 (AISI 304)
4	Seat	NBR (- 10°C + 100°C)
		EPDM (- 25°C + 125°C)
5	Spring	Stainless steel 1.4301 (AISI 304)

DIMENSIONS

DN		L	PN 10	PN 16	a	b	r	Weight (kg)
mm	inch		D	D				
50	2"	43	107	107	46	7,6	28,8	1,5
65	2 1/2"	46	129	129	58	12,9	33	2,4
80	3"	64	142	142	66	14	40	3,8
100	4"	64	162	162	94	23	53,1	4,7
125	5"	70	192	192	120	32,8	65,7	6,3
150	6"	76	218	218	144,6	42,6	78,6	9,3
200	8"	89	273	273	198	67,4	104,4	15,2
250	10"	114	328	328	244	72	127	26
300	12"	114	378	378	283,9	100	148,3	40,7
350	14"	127	438	438	333	121	172,5	55
400	16"	140	489	489	381	136,8	197,5	75
450	18"	152	539/555	539/555	420	147,7	217,8	118
500	20"	152	594	594	475,3	179,5	244,6	173
600	24"	178	695	695	585	220	301,5	200
700	28"	229	810	810	690	250	352	260
800	32"	241	915	915	780	290	395	340
900	36"	241	1015	1015	850	332	445	520
1000	40"	300	1124	1124	940	332	483	760
1200	48"	350	1340	1340	1150	442	601	1200

Dimensions mentioned in mm, weight in kg.



SERIES 700HP – DUAL PLATE CHECK VALVES

GENERAL CHARACTERISTICS

- DN 50 – DN 600
- Operating pressure maximum 24 bar
- High performance dual plate check valve
- Long life and trouble-free operation
- More compact & Structurally sound design
- Light Weight thus easier handling and self supporting
- Same valve can be installed horizontally or vertically
- No external devices /attachments required

BASIC INFORMATION

Temperature range:
- 25°C to +125°C

Applications:

- waste water
- sewage
- thick and viscous liquids
- water

STANDARDS

LEAK TEST:

- EN 12266-1, CLASS A*
- ISO 5208, CLASS A
- API 598, TAB.5

FACE TO FACE:

- API 594

CONNECTION BETWEEN

FLANGES:

- ASME B16.5

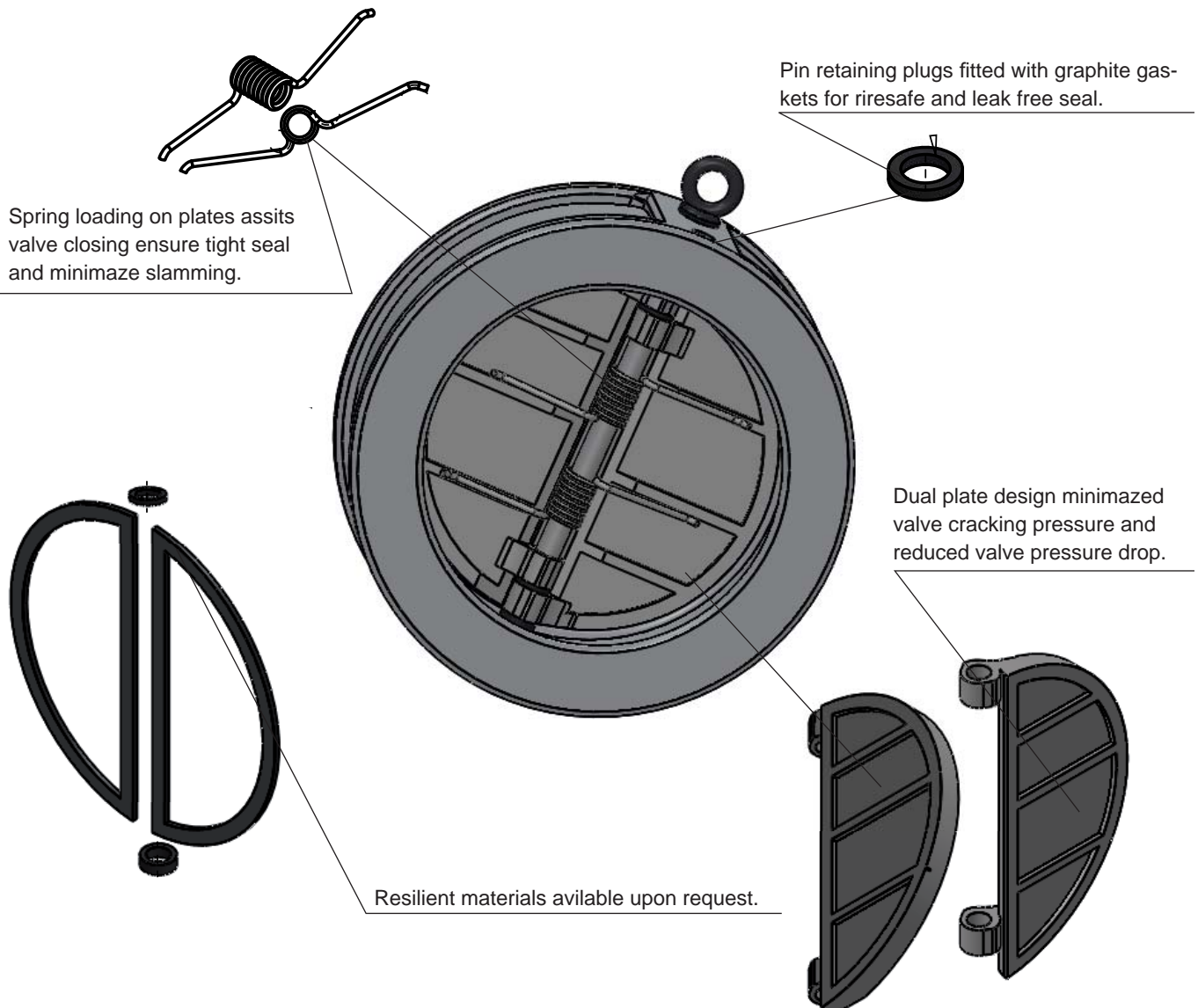
WORKING STANDARD:

- ASME B16.34

MARKING

- EN19

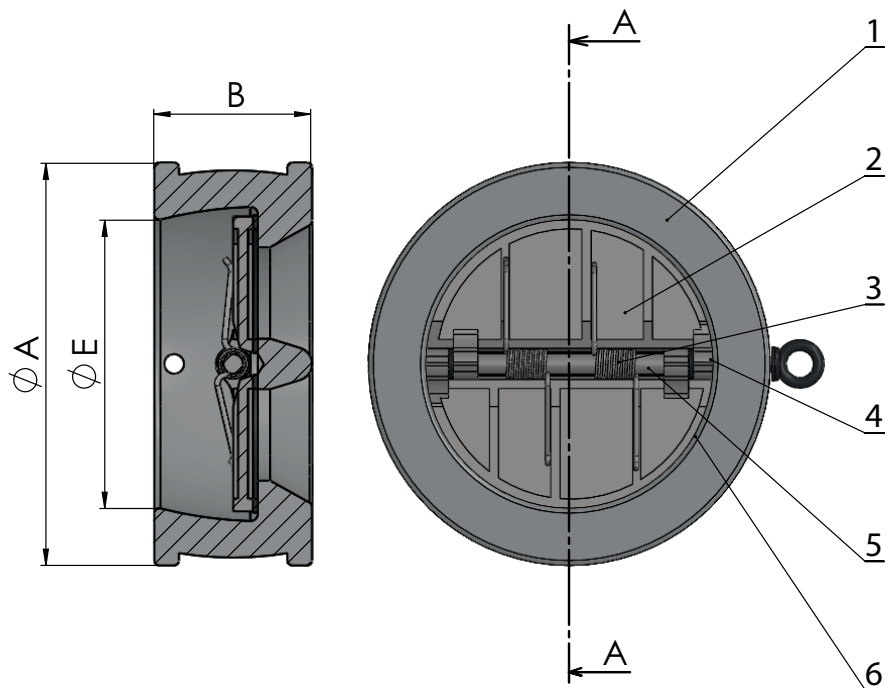
*For tightness rate A, please consult with the manufacturer.



SERIES 700HP – DUAL PLATE CHECK VALVES

DRAWING & MATERIALS

Item	Name	Materials
1	Body	ASTM B148 C95800
2	Disc	ASTM B148 C95800
3	Spring	Inconel X750
4	Bearing	ASTM B148 C95800
5	Shaft	Monel 400
6	Seat	Integral



DIMENSIONS

DN		A	B	E	Weight (kg)
mm	inch				
50	2"	104	60	45	2,5
65	2" ½	123	66	60	3
80	3"	136	73	75	4
100	4"	174	73	90	6,5
125	5"	197	85	120	10
150	6"	222	98	145	12
200	8"	279	127	175	25
250	10"	339	146	240	32
300	12"	409	181	295	57
350	14"	450	184	350	85
400	16"	514	191	380	128
450	18"	549	203	425	131
500	20"	606	219	495	198
600	24"	717	222	590	260



PRODUCT QUALITY AND CONTROL

- ABO production facilities are certified in accordance with ISO 9001 quality system
 - Test procedures are established according to: EN 12266-1, ISO 5208, API 598
 - All ABO valves pass pressure tests to 110% of rated pressure to ensure bubble tight shutoff
 - Working pressure for sealing tested 1.5 times, working pressure for body shell strength tested 5 times
 - Material Traceability Rule – Certification is provided for all supplied valves as per customer's request
 - Positive Material Identification – All materials are subjected to PMI testing in order to verify Material Traceability Certificate
- Certificates** – e.g.: EC certificate complete list of certificates can be found on www.abovalve.com

SERIES 800 – SWING CHECK VALVES

GENERAL CHARACTERISTICS

- Easy structure and mounting
- Direct installation between DIN flanges
- Short construction length
- Low weigh

BASIC INFORMATION

Range:

- DN: 50 - 300 (2" - 12")
- PN: 10, 16 bar

Temperature range:

- 25°C to + 125°C (depending on execution)

Applications:

- Water treatment
- Heating systems
- Oils

STANDARDS

LEAK TEST:

- EN 12266-1, CLASS A
- ISO 5208, CLASS A

CONNECTION

BETWEEN FLANGES:

- EN 1092-1,2
- EN ISO 6708

MARKING:

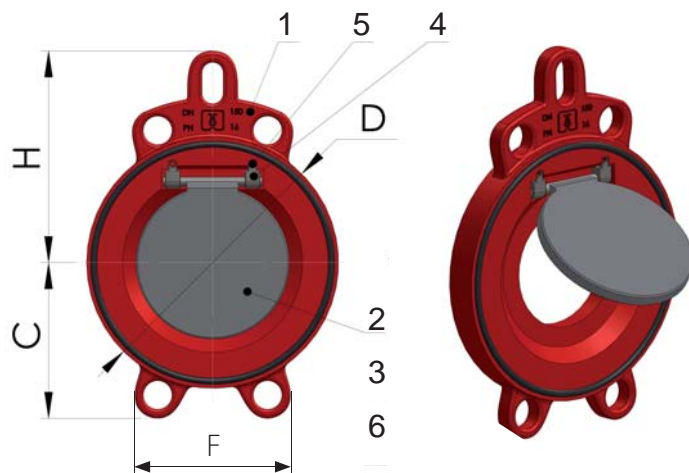
- EN 19

WORKING STANDARD:

- EN 12334

MATERIALS

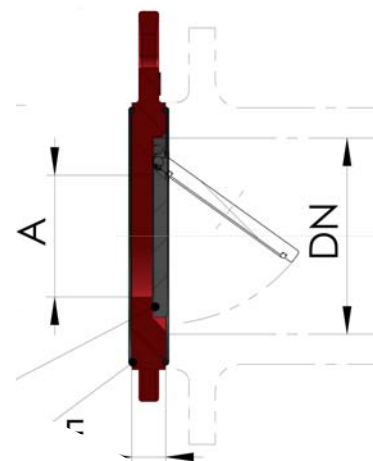
Item	Name	Matrial
1	Body	Ductile iron 0.7040 (GGG40)
2	Disc	Stainless steel 1.4308 (CF8)
3	Seat	1 – NBR: marking 814 (- 10°C + 100°C)
		2 – EPDM: marking 824 (- 25°C + 125°C)
		On request special materials (Viton, Silicone)
4	Holder	Stainless steel 1.4308 (CF8)
5	Bolt	Stainless steel 1.4301 (AISI 304)
6	Flange sealing	Elastomer



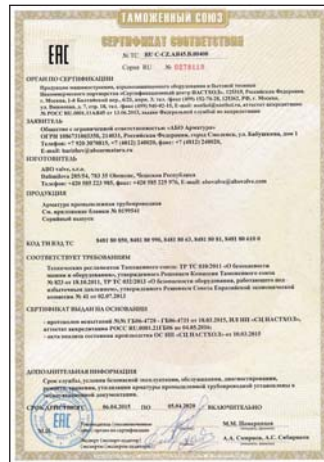
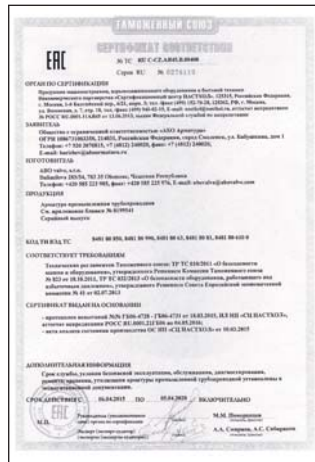
DIMENSIONS

DN		A	C	D	E	F	H	Weight (kg)
mm	inch							
50	2"	22	64	99	18	130	125	1,3
65	2"1/2	38	72	118	20	142	135	1,8
80	3"	44	93	132	20	150	142	2,3
100	4"	70	107	158	20	112	157	2,6
125	5"	95	119	184	22	120	169	3,5
150	6"	114	133	212	22	137	185	4,5
200	8"	140	166	268	22	159	214	7
250	10"	185	198	319	29	141	246	12
300	12"	216	234	370	38	162	284	21,5

Dimensions mentioned in mm, weight in kg.



CERTIFICATES



Note: Choice of the seat and disc materials for various media will be recommended upon specific enquiry. The above mentioned max. temperatures for each material of seat are accepted only for a specific medium and short time. Please always consult seat material selection with the manufacturer.



EUROPEAN UNION
European Regional Development Fund
Operational Programme Enterprise
and Innovations for Competitiveness

The information in this brochure is indicative only. Binding specification will be provided in the offer. ABO valve accepts no liability for damages caused by bad interpretation or use of the information included in this brochure.

Data subject to change.